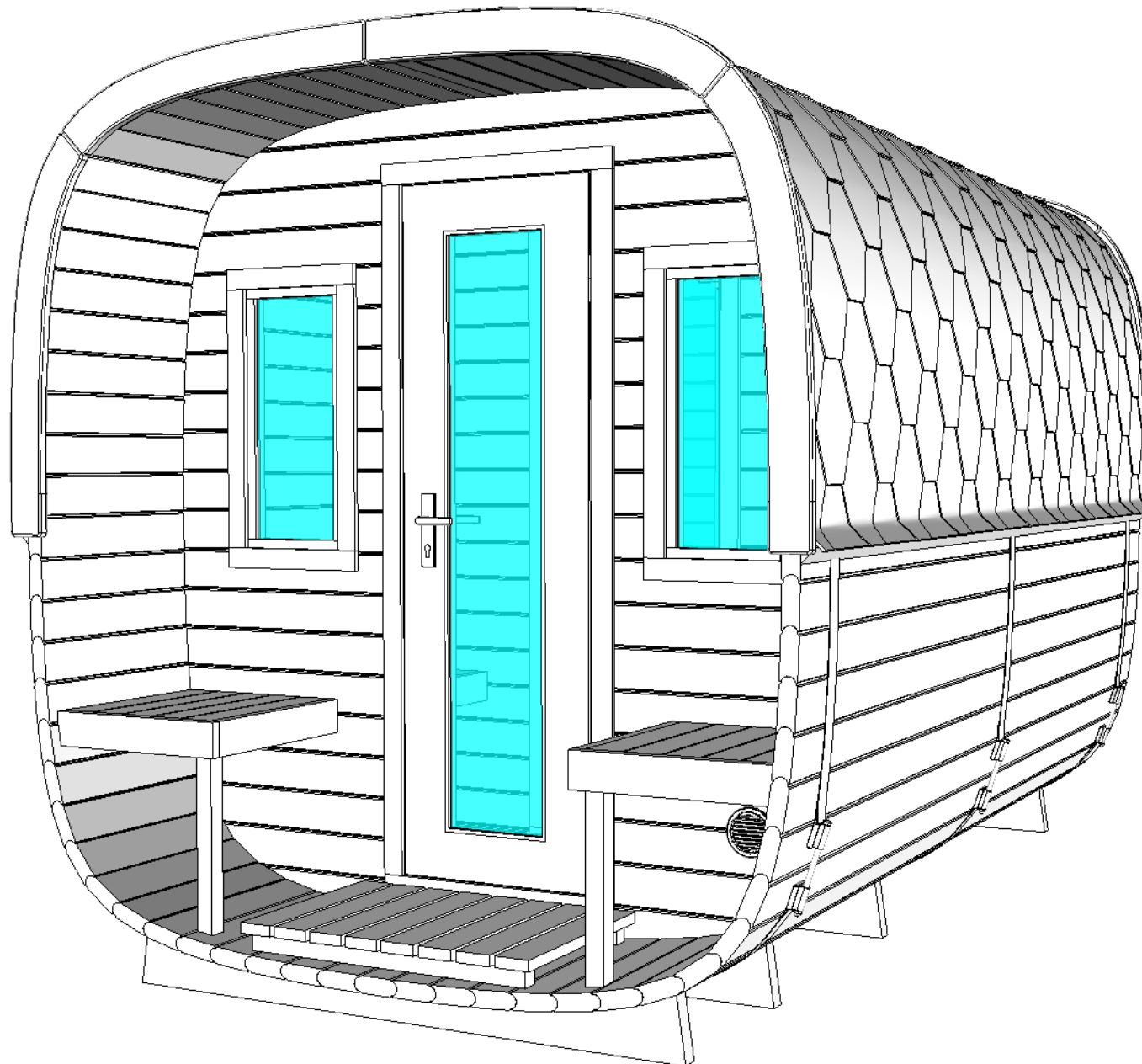
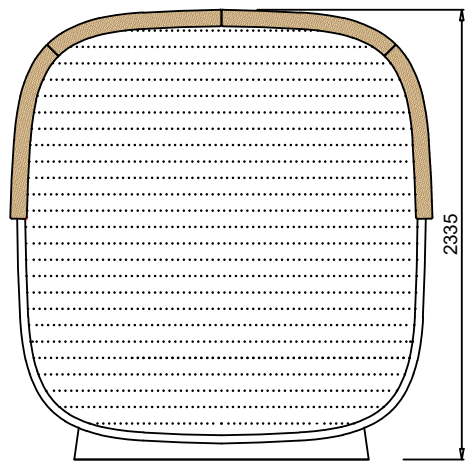
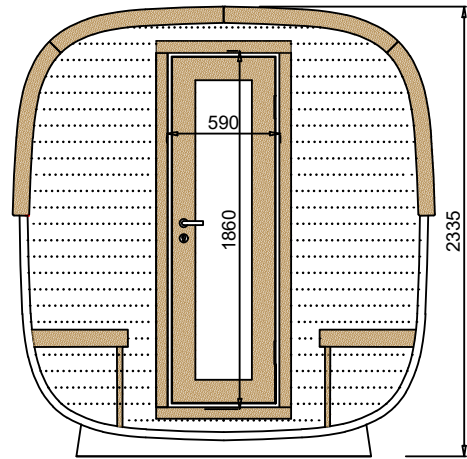
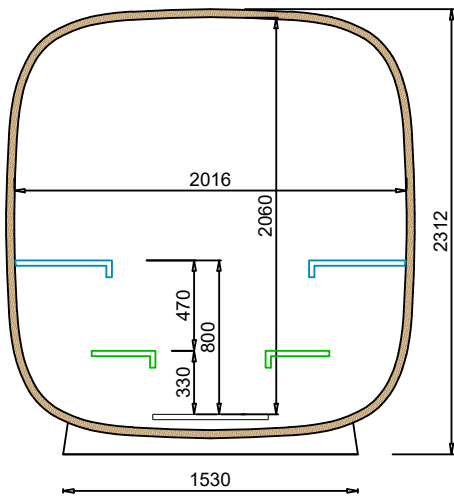
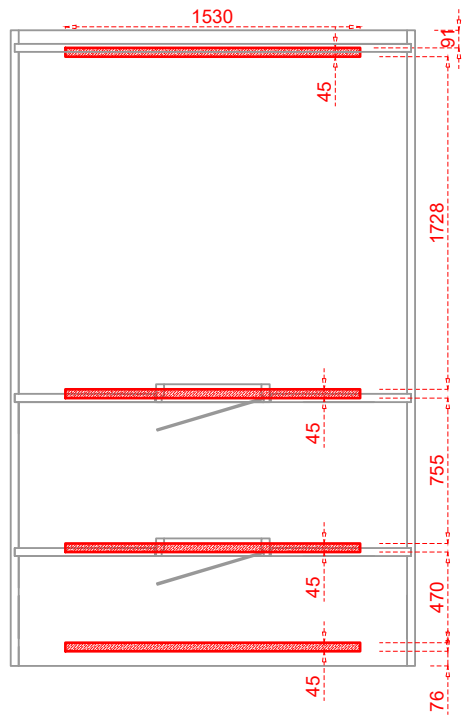
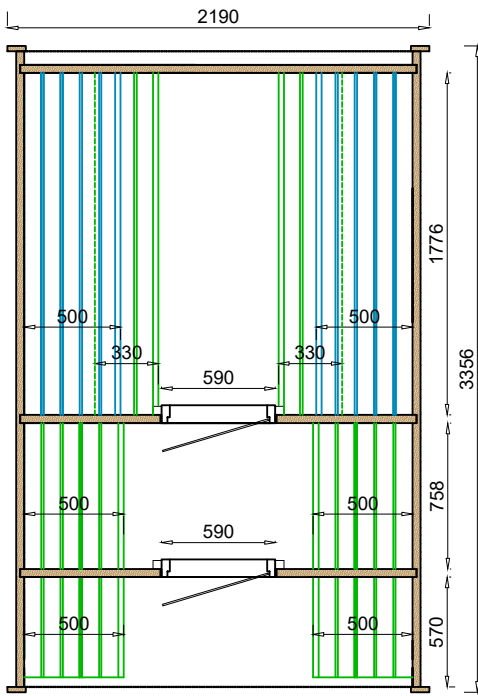


Barrel sauna 3.3



Please check the parts for completeness before assembly!



Detail list 1

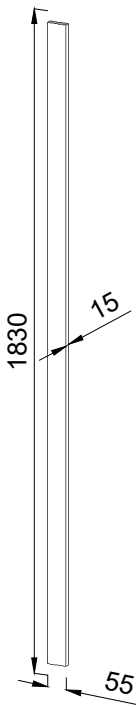
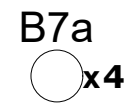
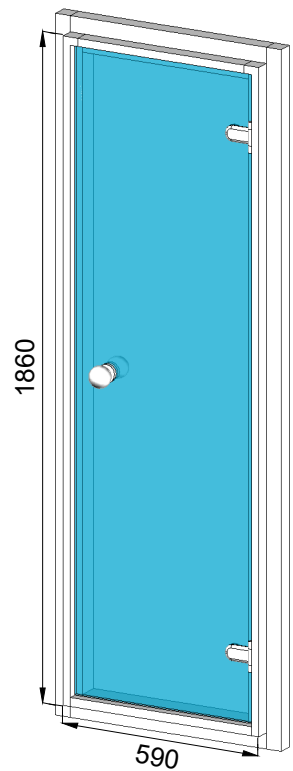
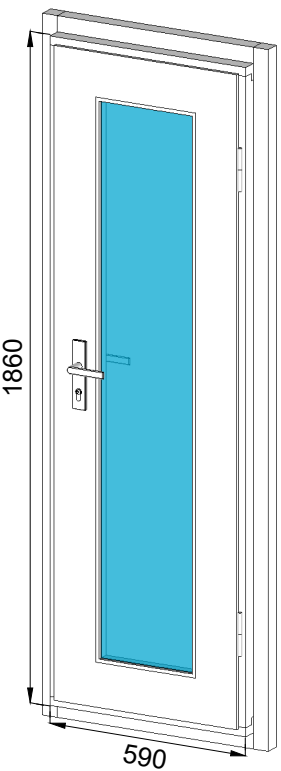
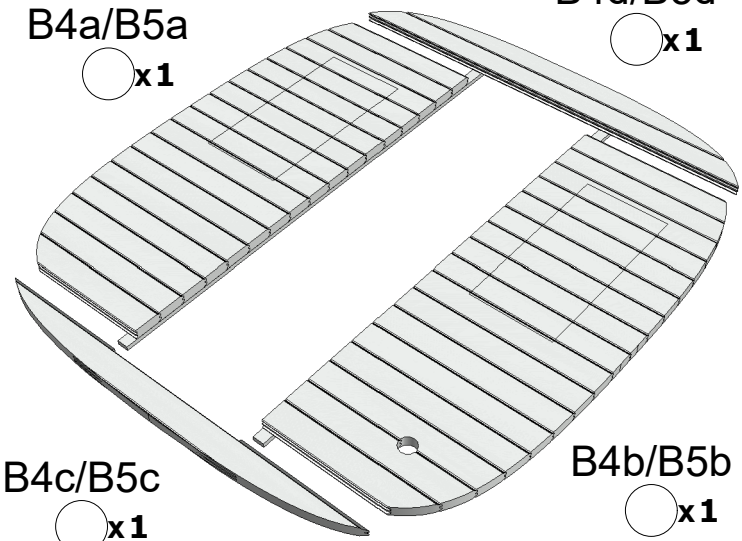
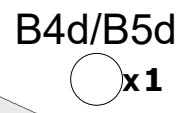
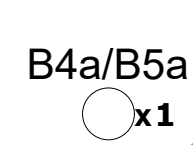
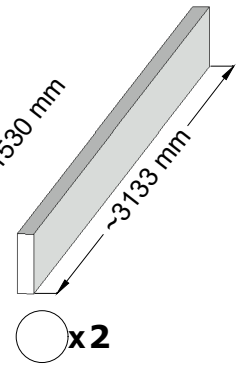
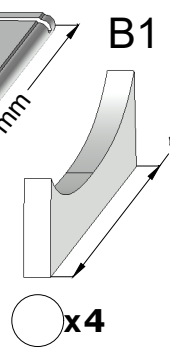
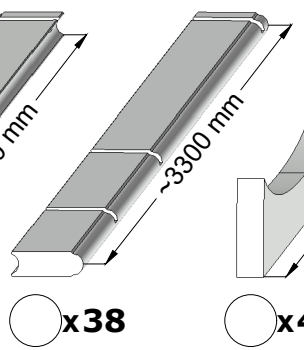
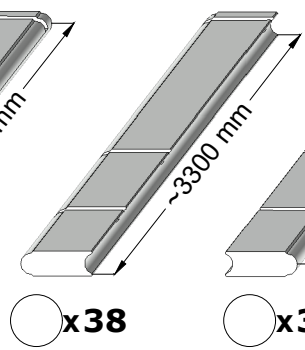
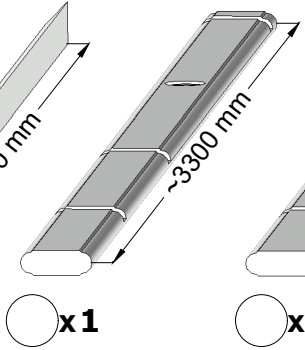
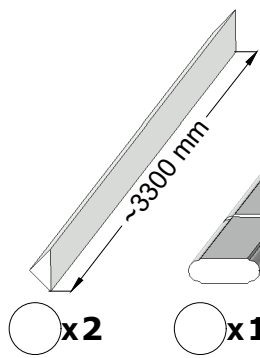
DE

B3

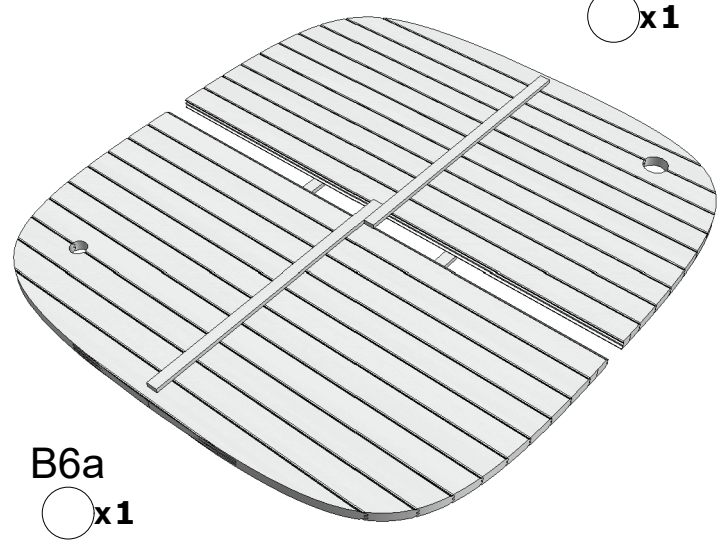
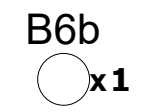
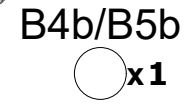
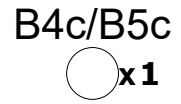
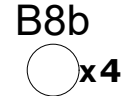
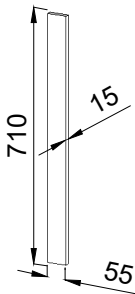
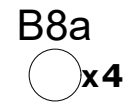
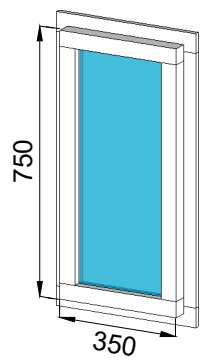
B3a

B3b

B2



Windows are included when ordered



B7.1 x1

B7.2 x1

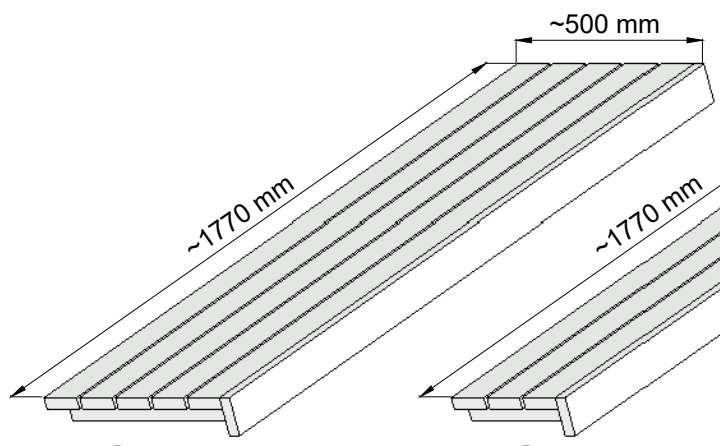
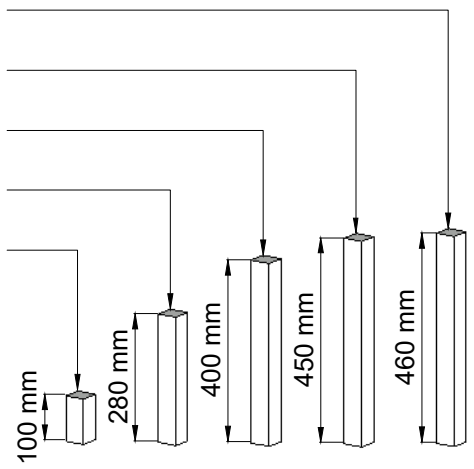
B7b x4

B8b x4

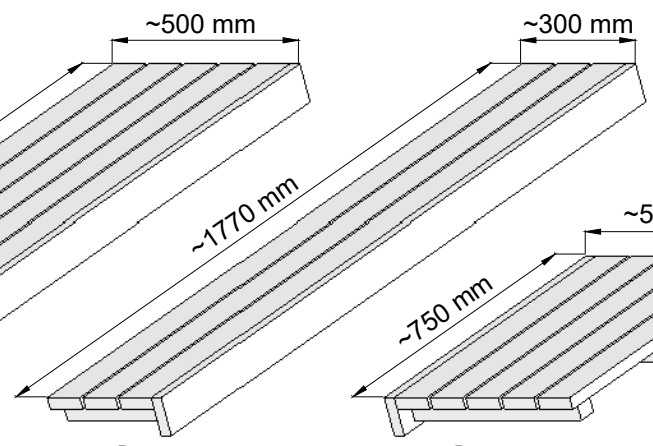
B6a x1

Detail list 2

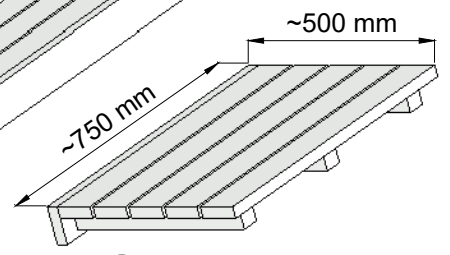
- K46 ○ x2
- K45 ○ x10
- K40 ○ x4
- K28 ○ x4
- K10 ○ x8



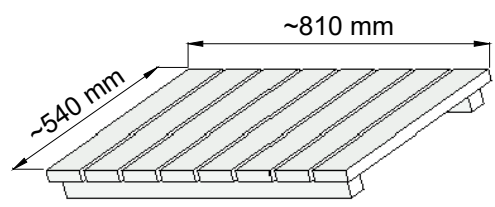
I1 ○ x2



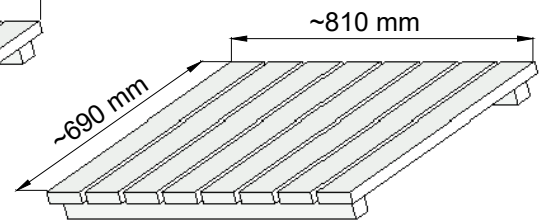
I2 ○ x2



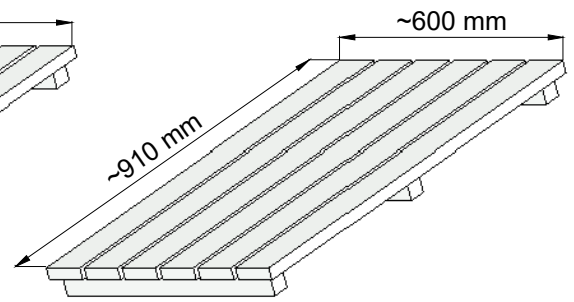
I3 ○ x2



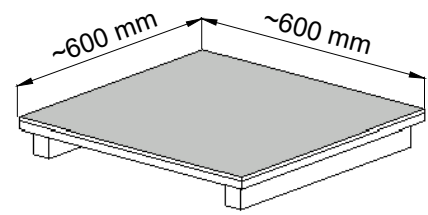
I4 ○ x1



I5 ○ x1

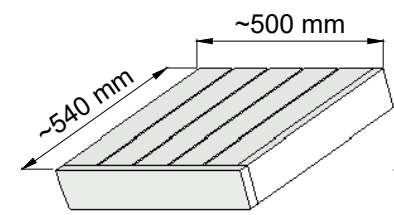


I6 ○ x1

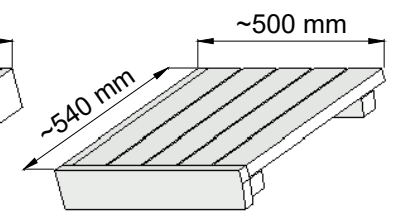


I7 ○ x1

heating protection ○ x1

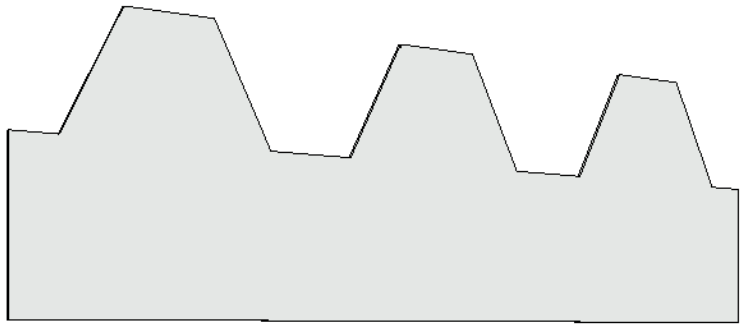


I8a ○ x1

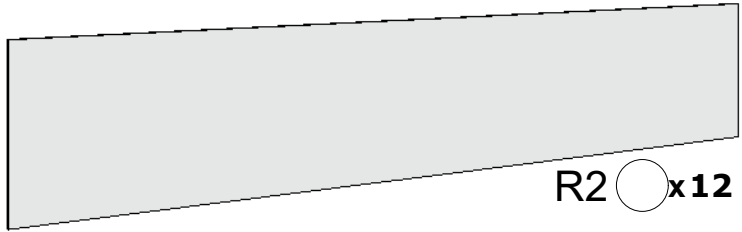


I8b ○ x1

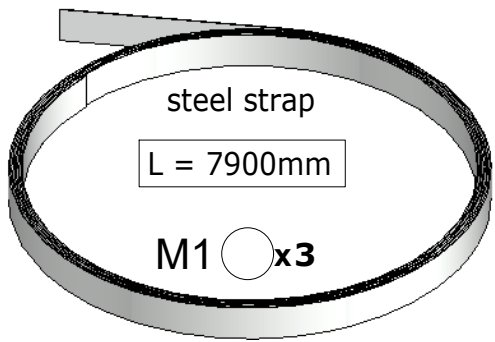
Detail list 3



R1 ○ x5 pkg



R2 ○ x12



steel strap
L = 7900mm

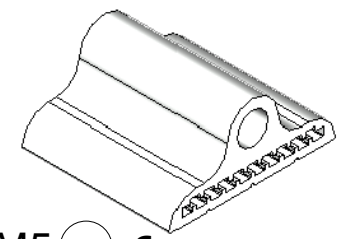
M1 ○ x3



M3 ○ x6



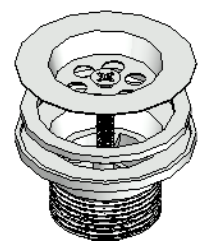
M4 ○ x3



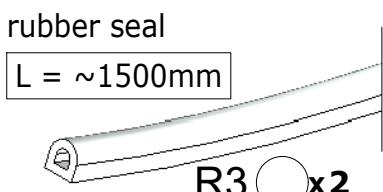
M5 ○ x6



M2 ○ x3



V1 ○ x1



rubber seal
L = ~1500mm

R3 ○ x2

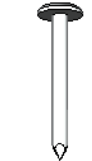


V2 ○ x7



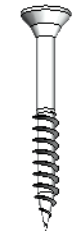
V3 ○ x1

Nails



○ x1kg

3x30



○ x24

3x40



○ x42

For windows, if there are windows

3x40



○ x20

For windows, if there are windows

4,2x55



○ x34

Spruce 4,5x60 Thermo 4,2x55



○ x230

4,2x75



For Doors

○ x60

Spruce 4,5x80 Thermo 4,2x75



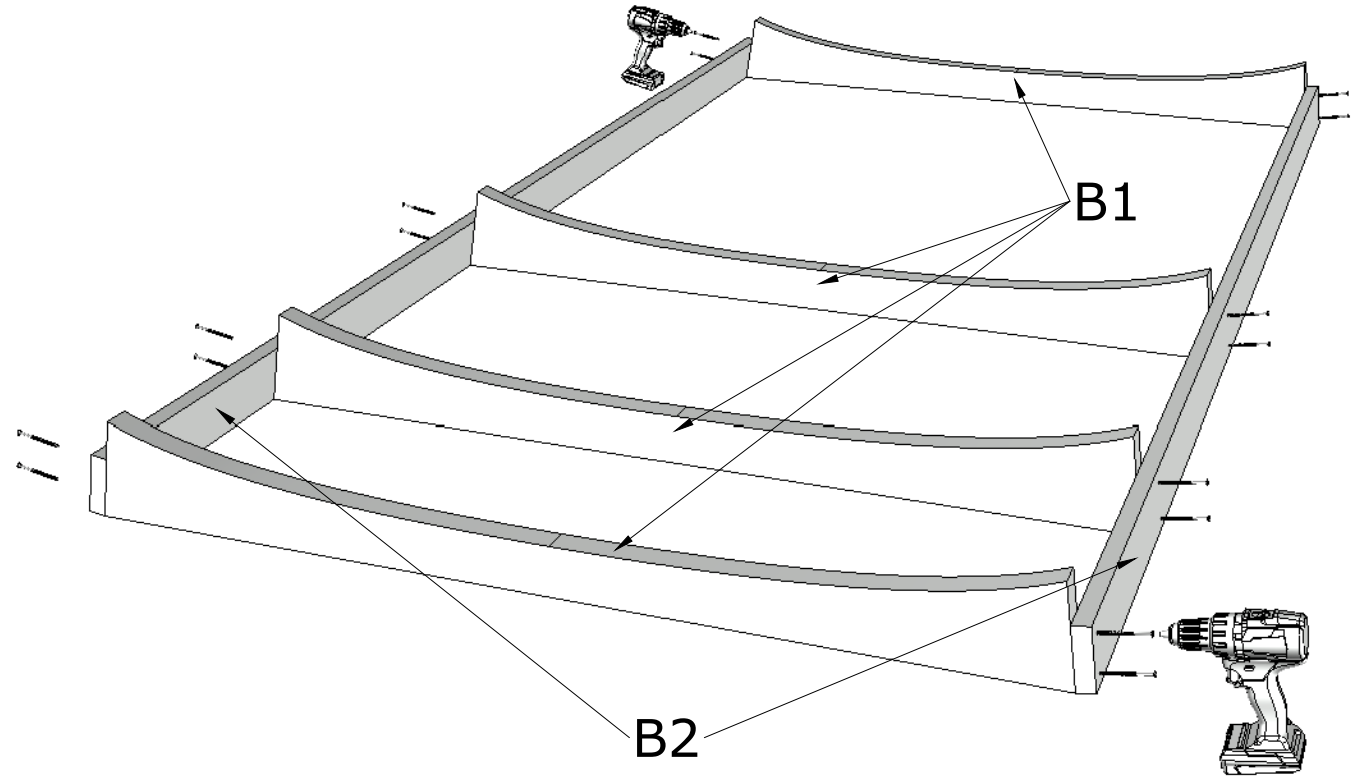
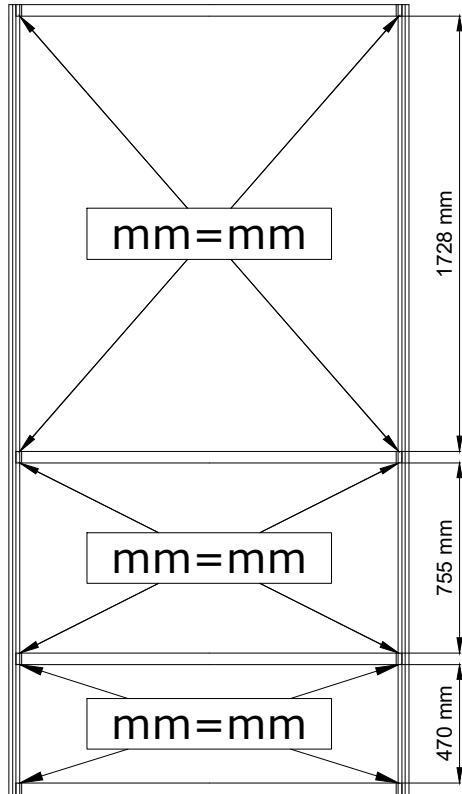
○ x200

V3 and one V2 are not included if the back panel is Panorama style

Screws

16x 4,5x80

1



NB! use a level



Screws

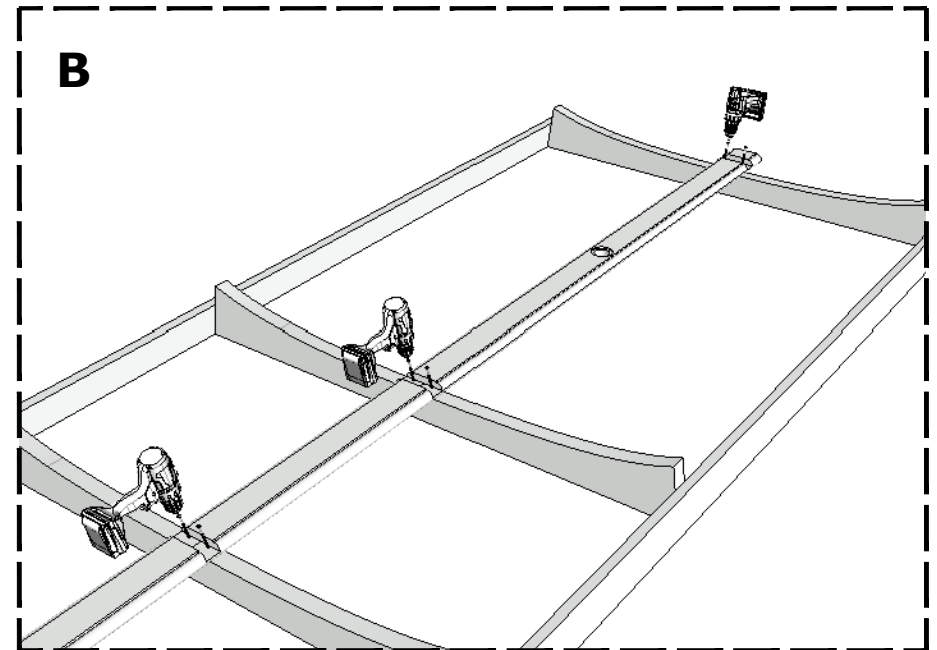
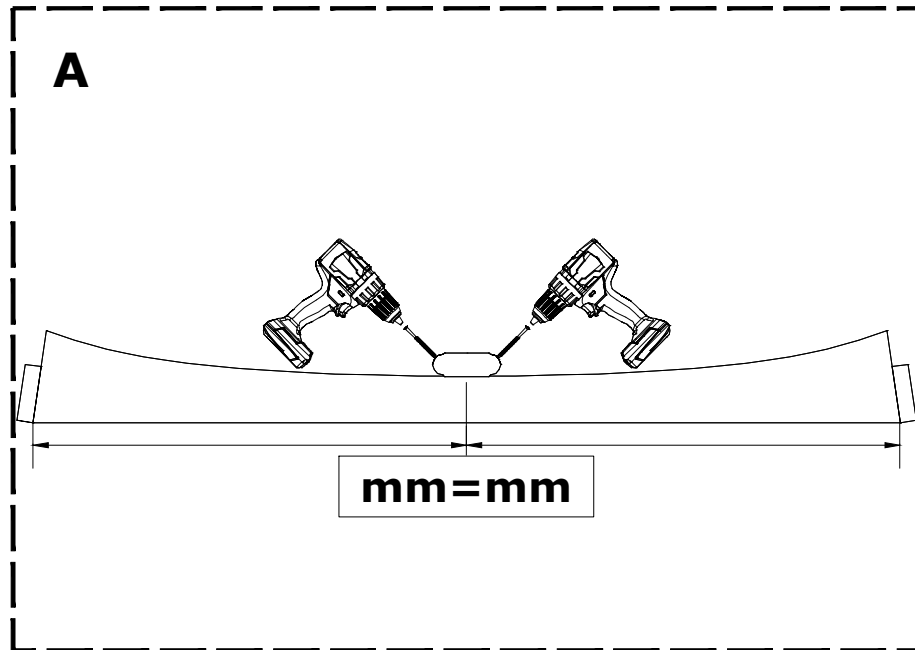
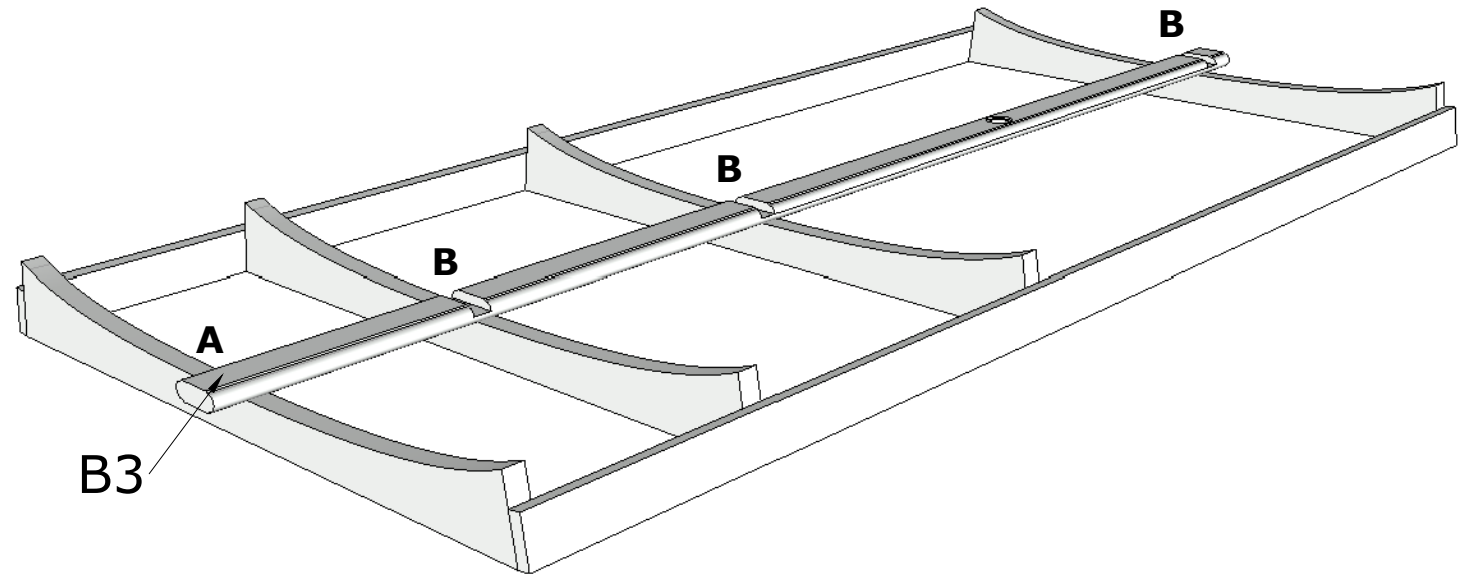
8x 4,5x80

2

Please countersink the
screw head!

Use two screws for
point A (see sketch)

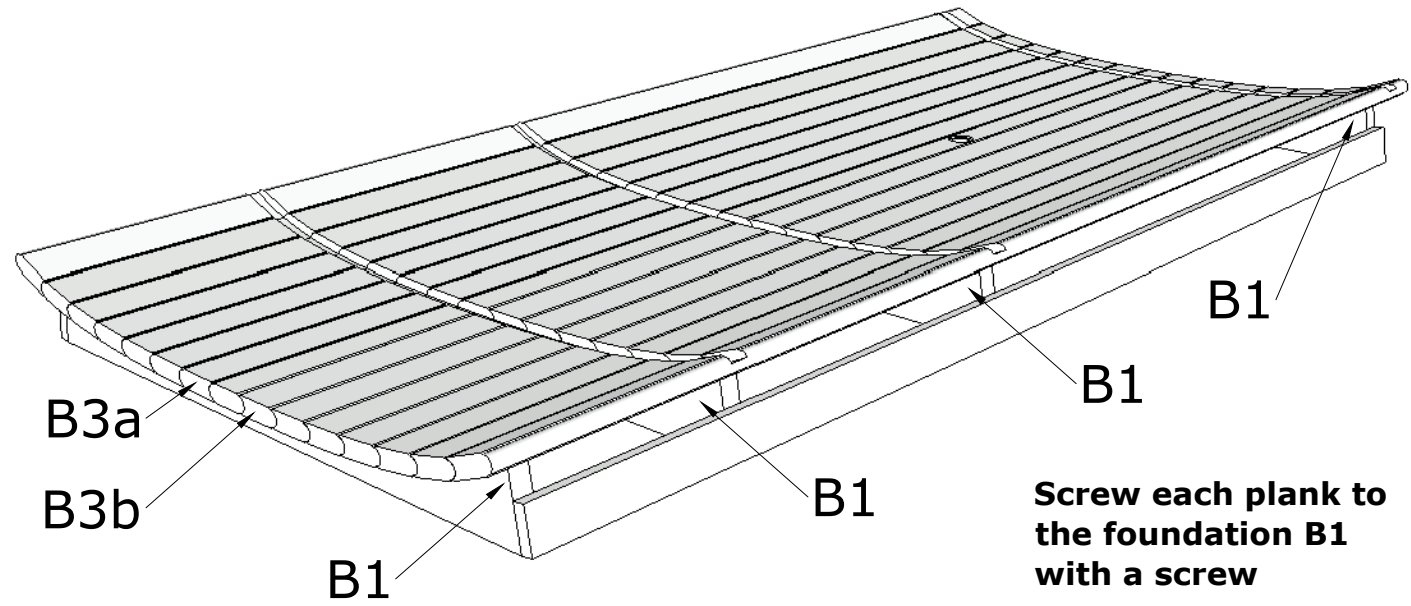
Use two screws for
point B (see sketch)



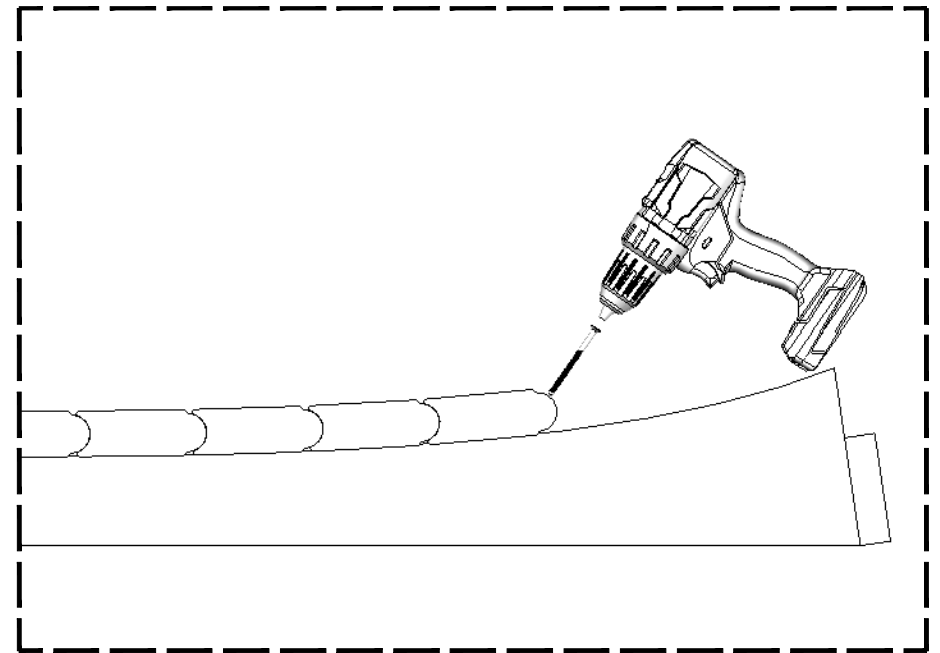
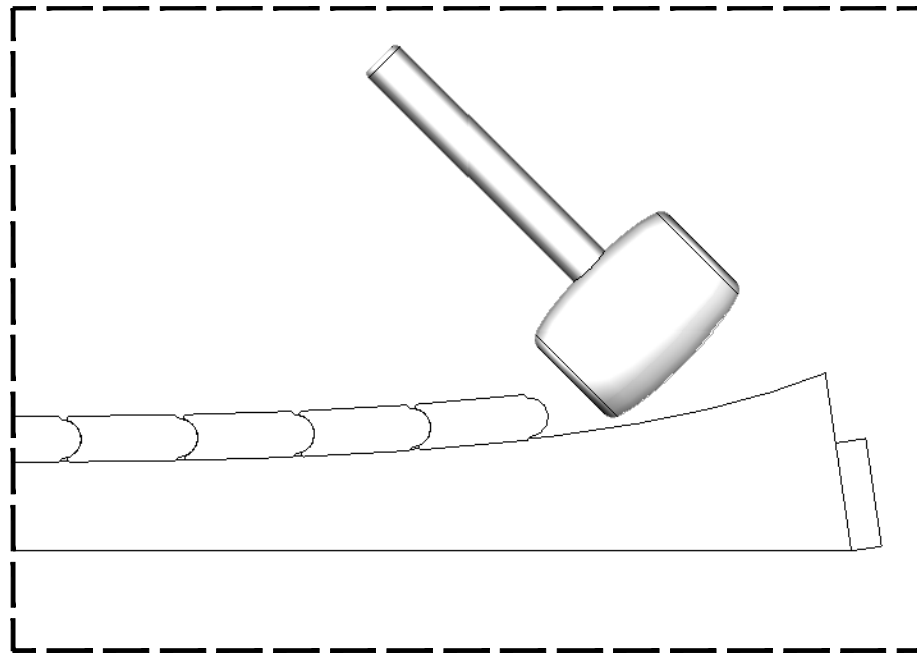
Screws

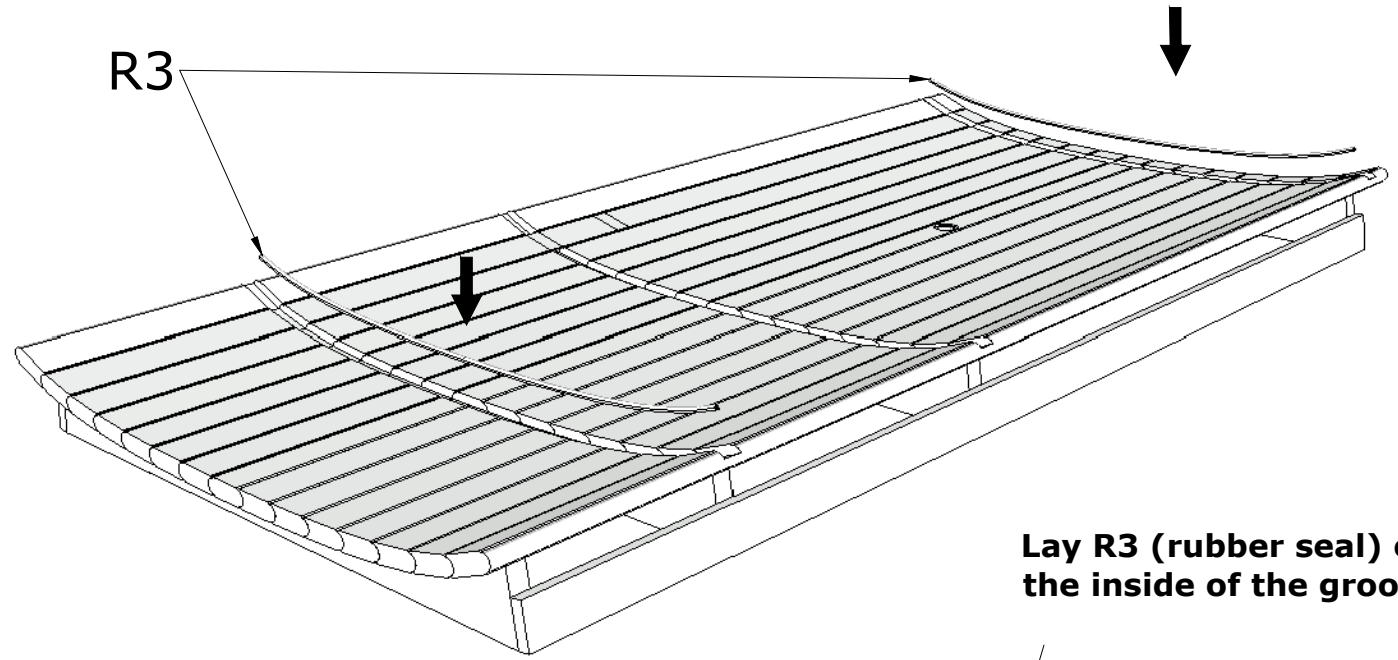
56x 4,5x80

Use a rubber mallet to tap the planks together



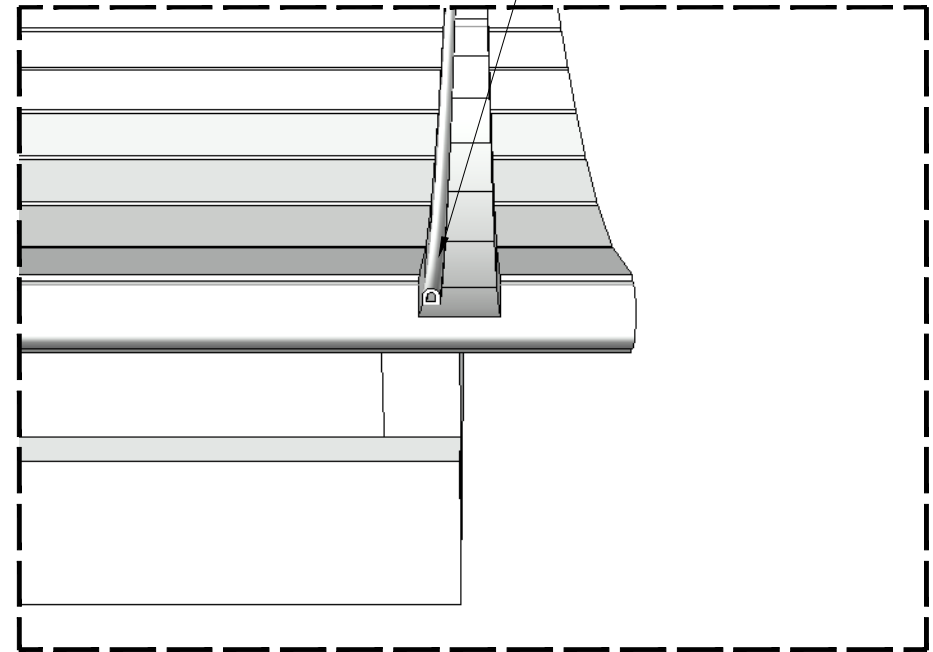
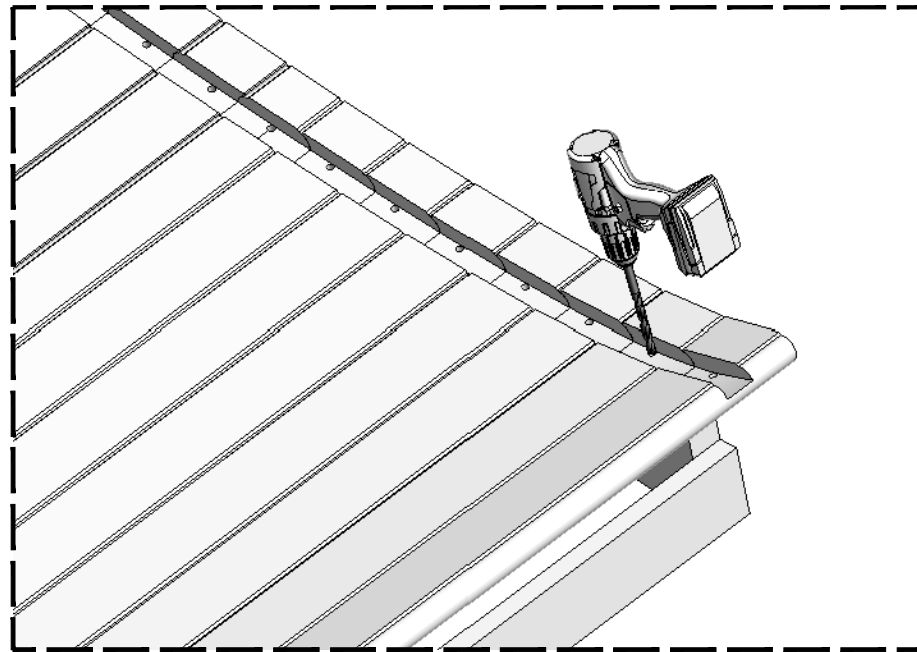
Screw each plank to the foundation B1 with a screw



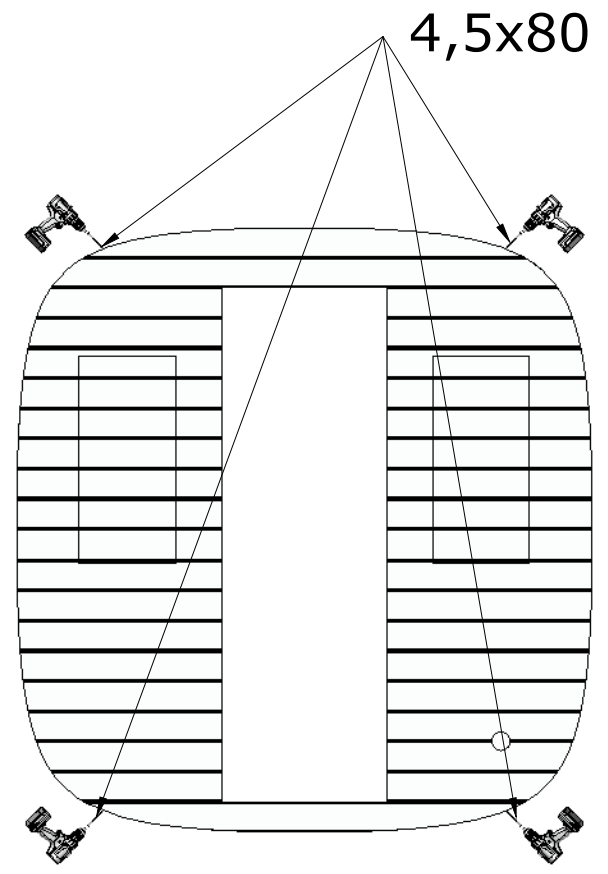
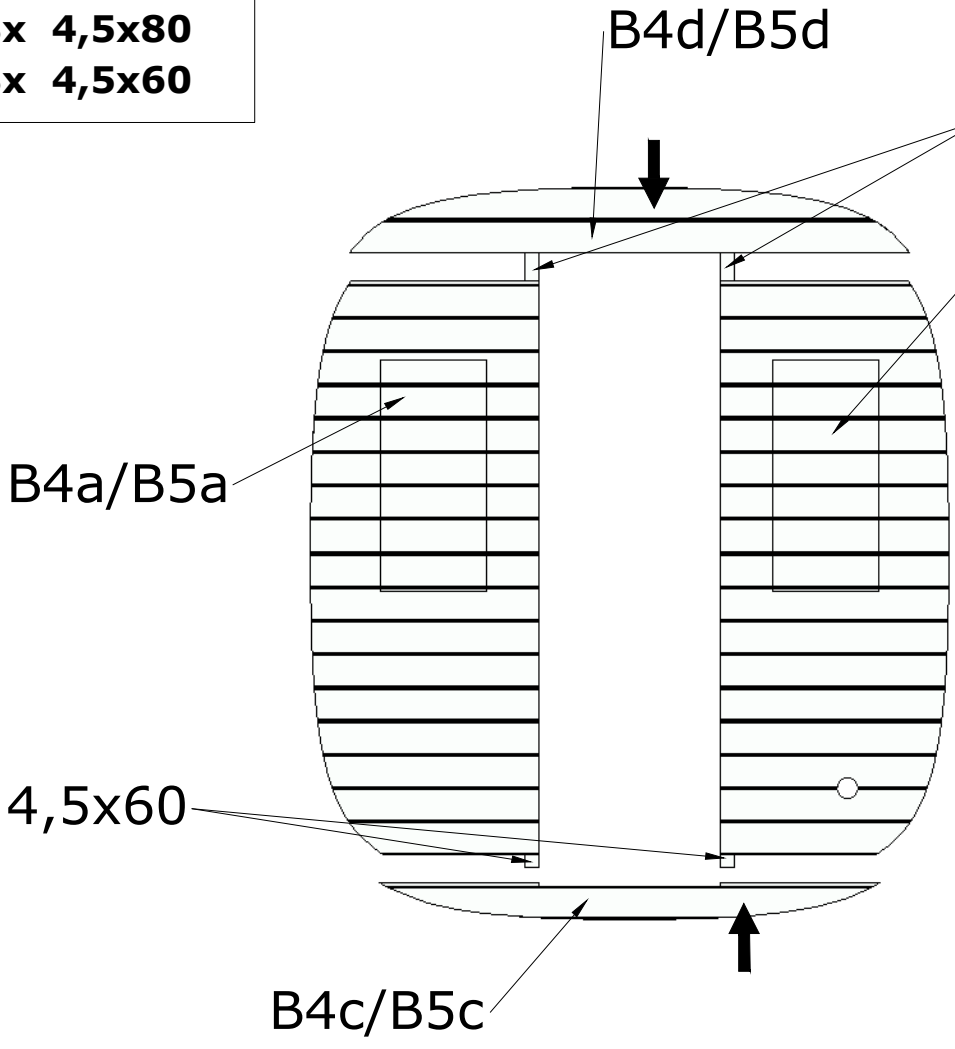


Lay R3 (rubber seal) on the inside of the groove

Drill a 10mm hole in each plank, only at the back!



- Screws**
8x 4,5x80
8x 4,5x60

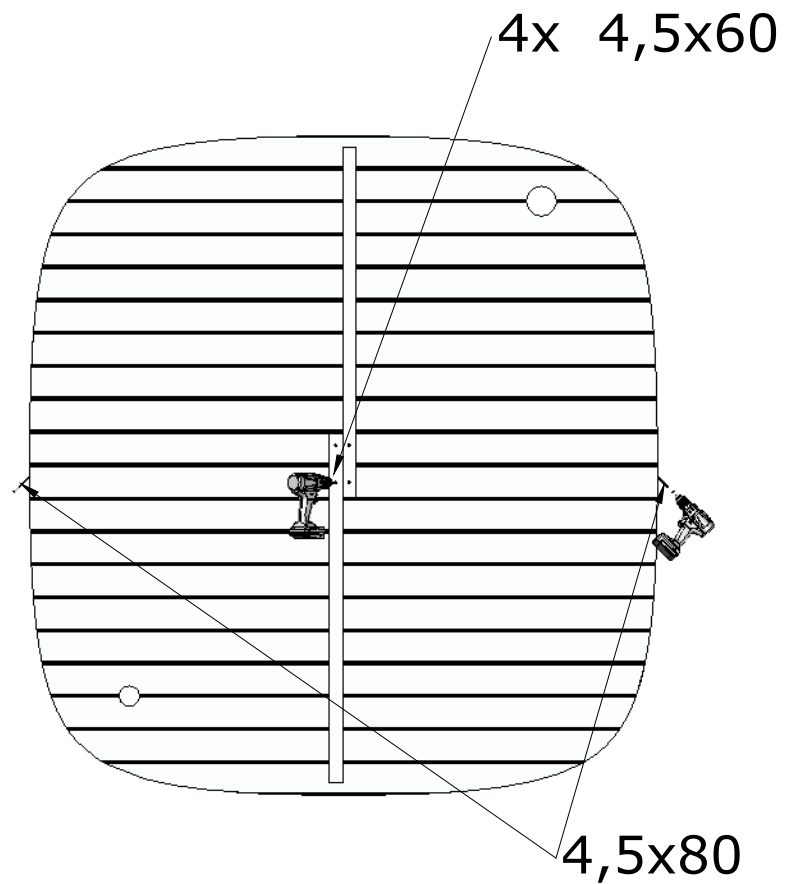
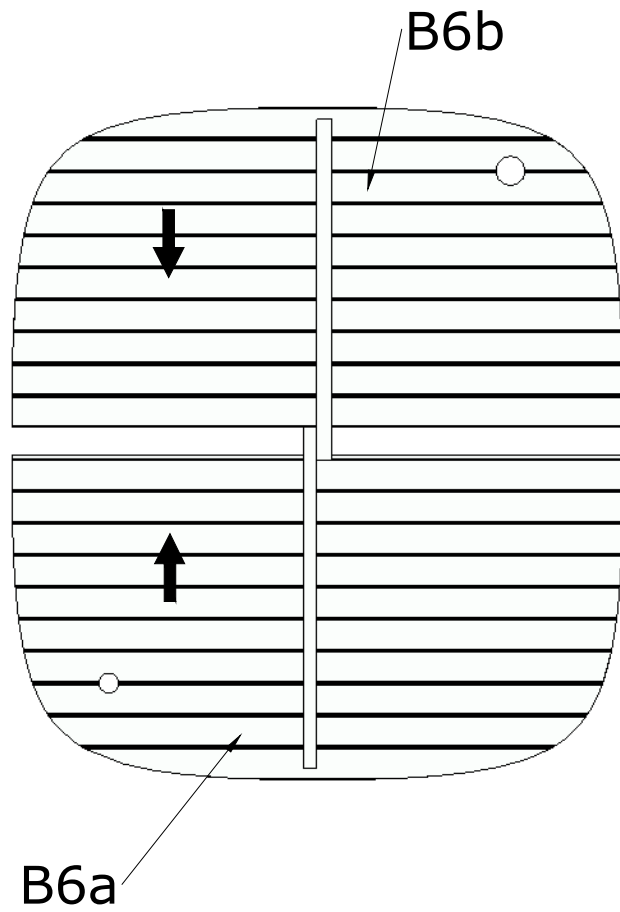


Screws

2x 4,5x80

4x 4,5x60

5b



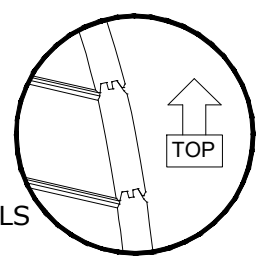
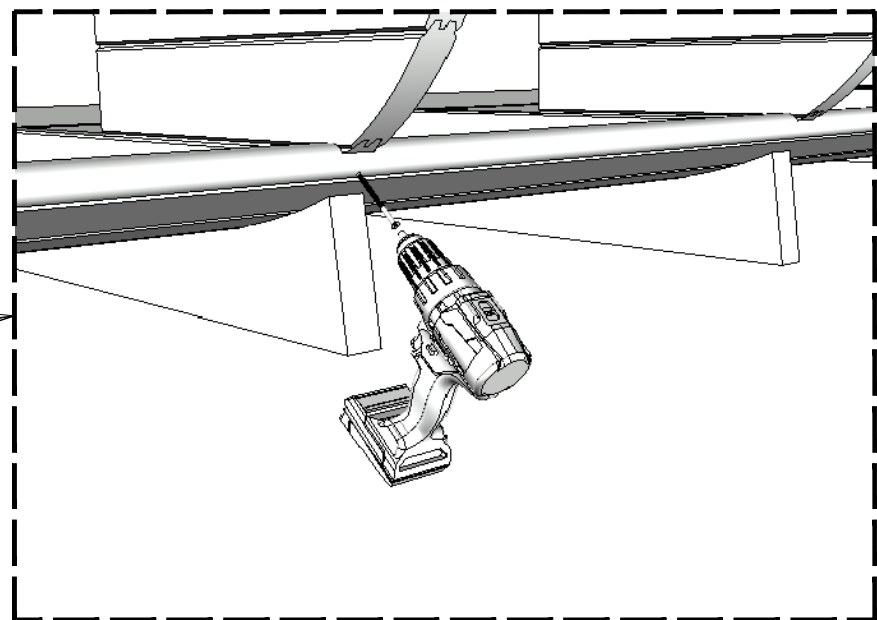
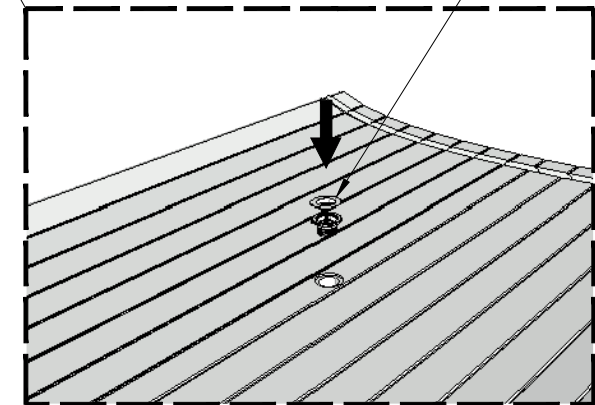
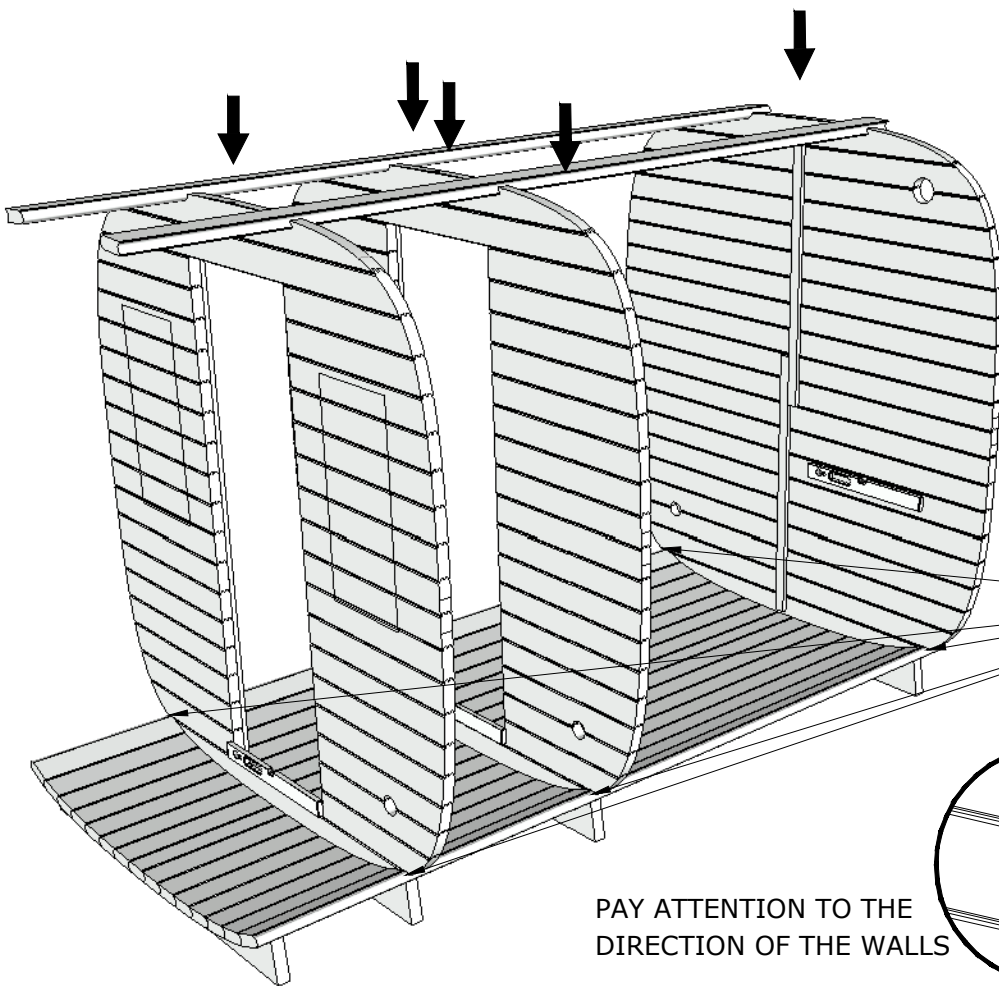
Screws

6x 4,5x60

Remove B2 again

Mount V1 in the drainage hole

NB! use a level



PAY ATTENTION TO THE DIRECTION OF THE WALLS

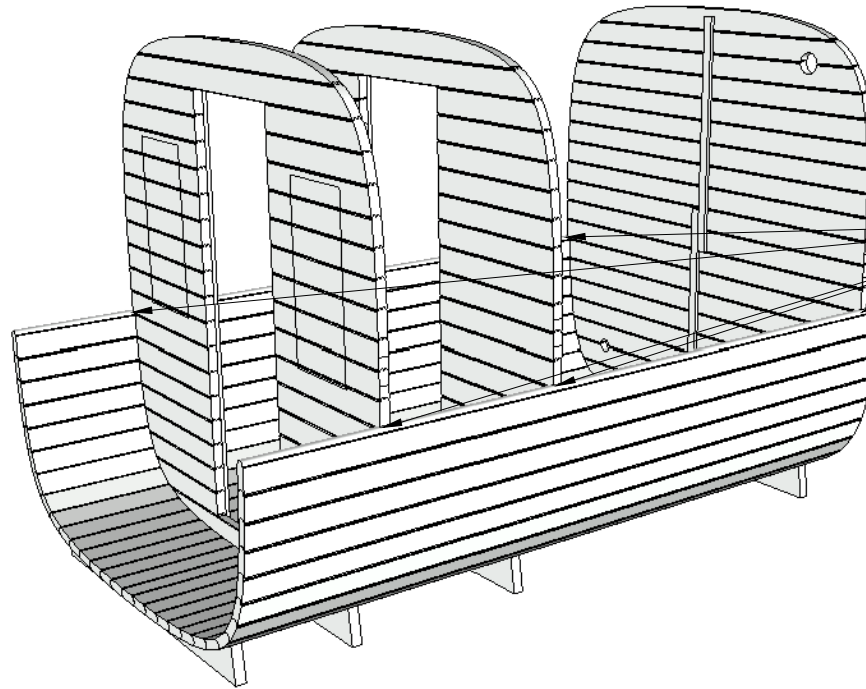
Screw the walls to the outermost plank with 1 screw each

Screws

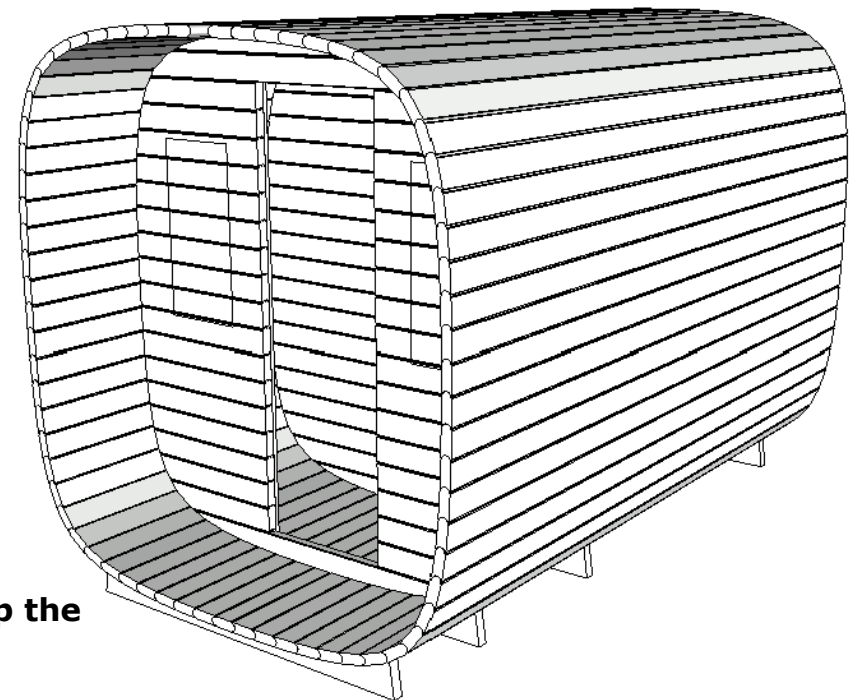
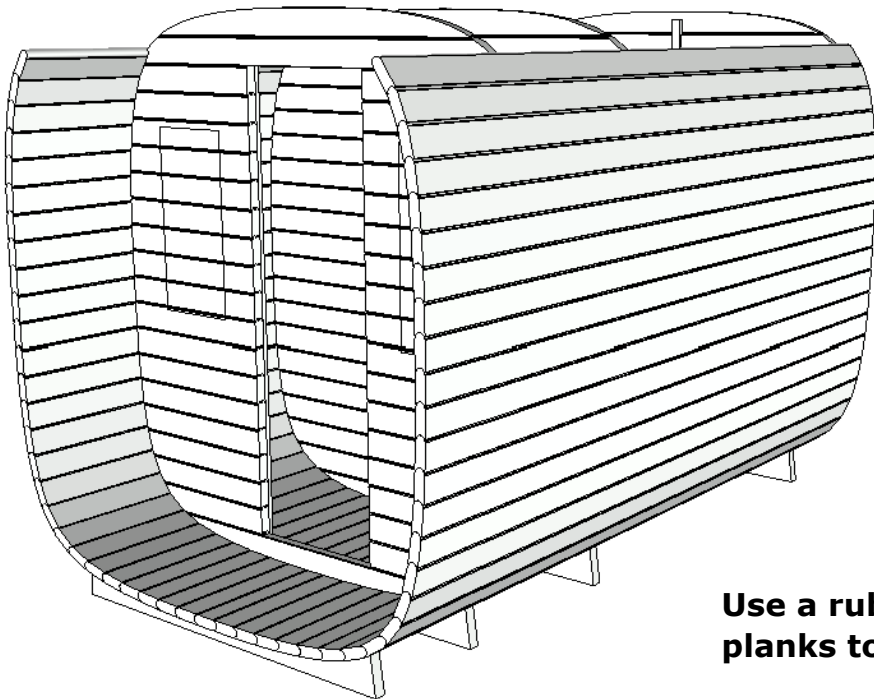
186x 4,5x60

Use B3a and B3b to finish
the case

Screw the side wall planks
to the walls

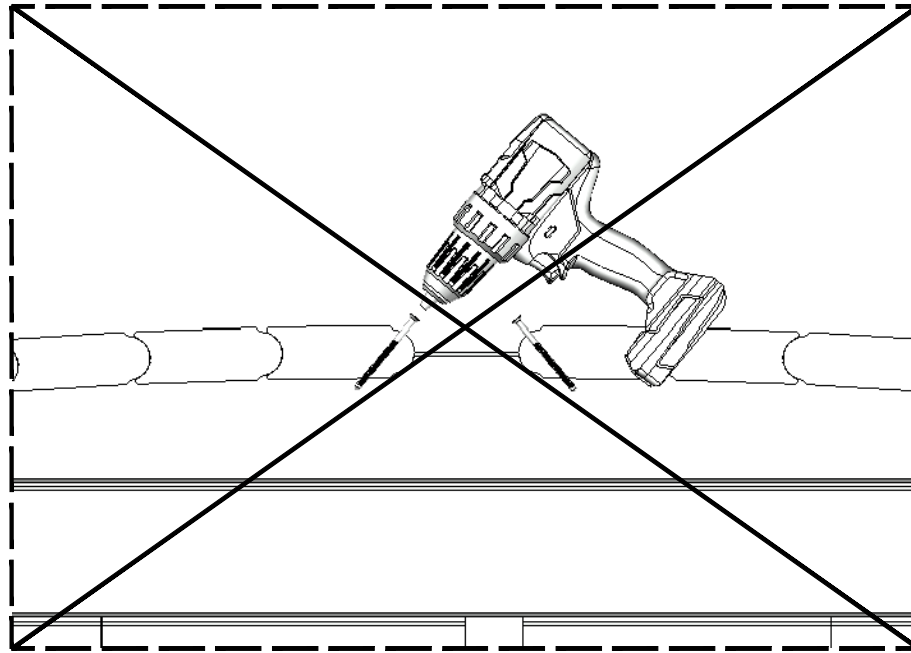


7

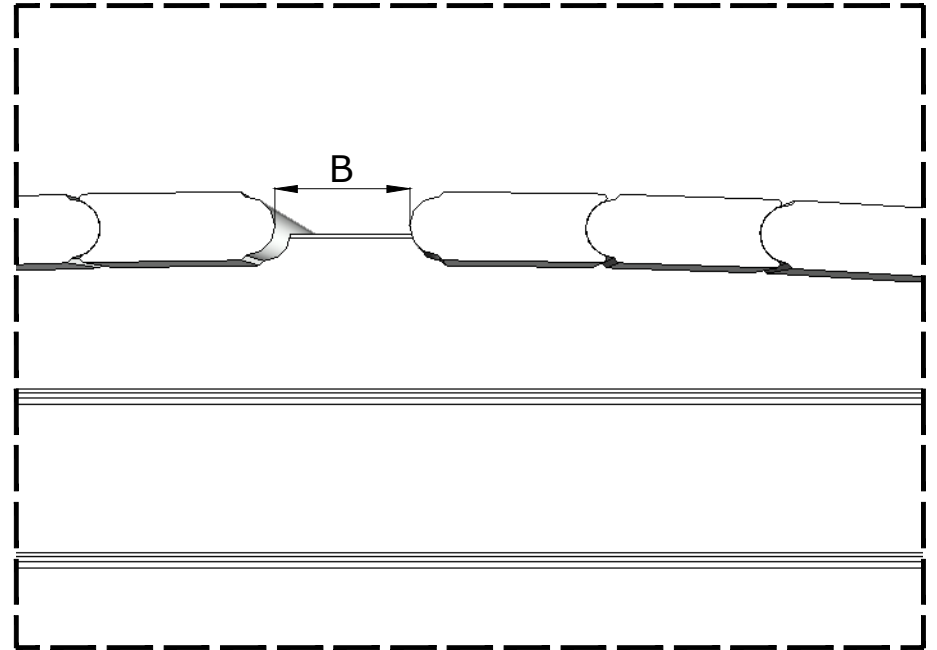
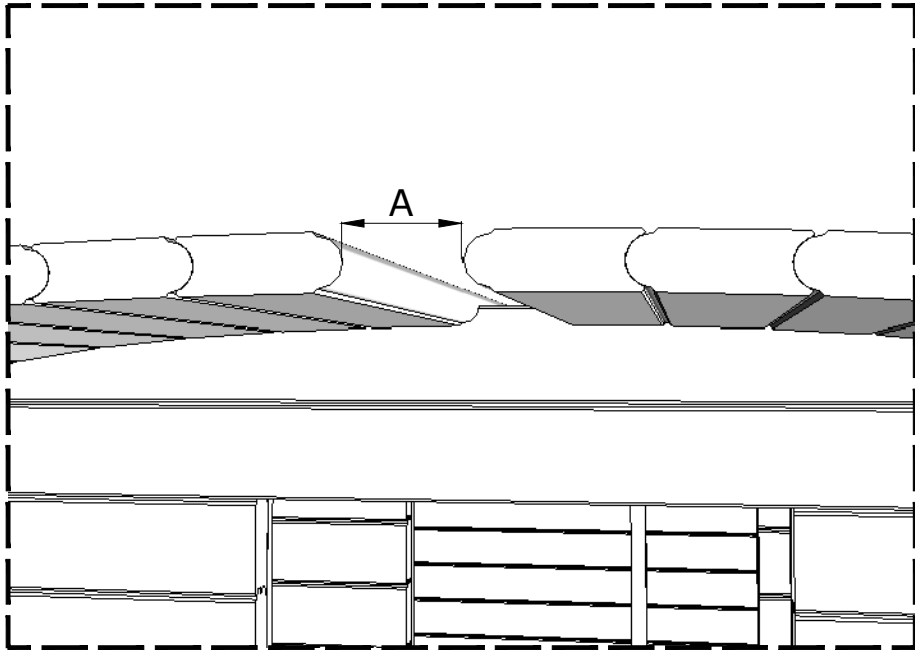


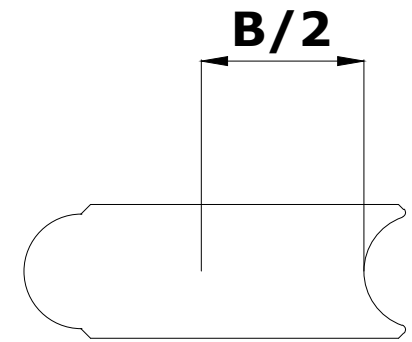
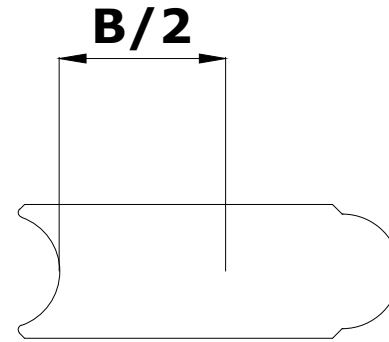
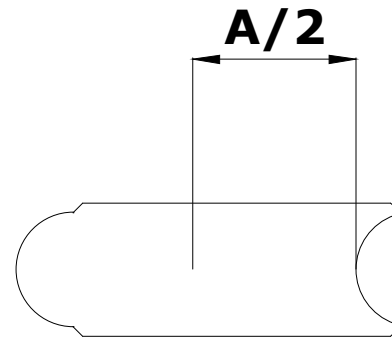
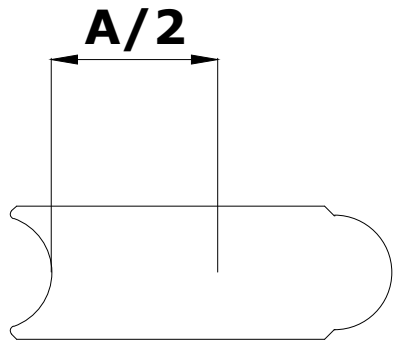
Use a rubber mallet to tap the
planks together

Please do not screw the last two whole planks straight away

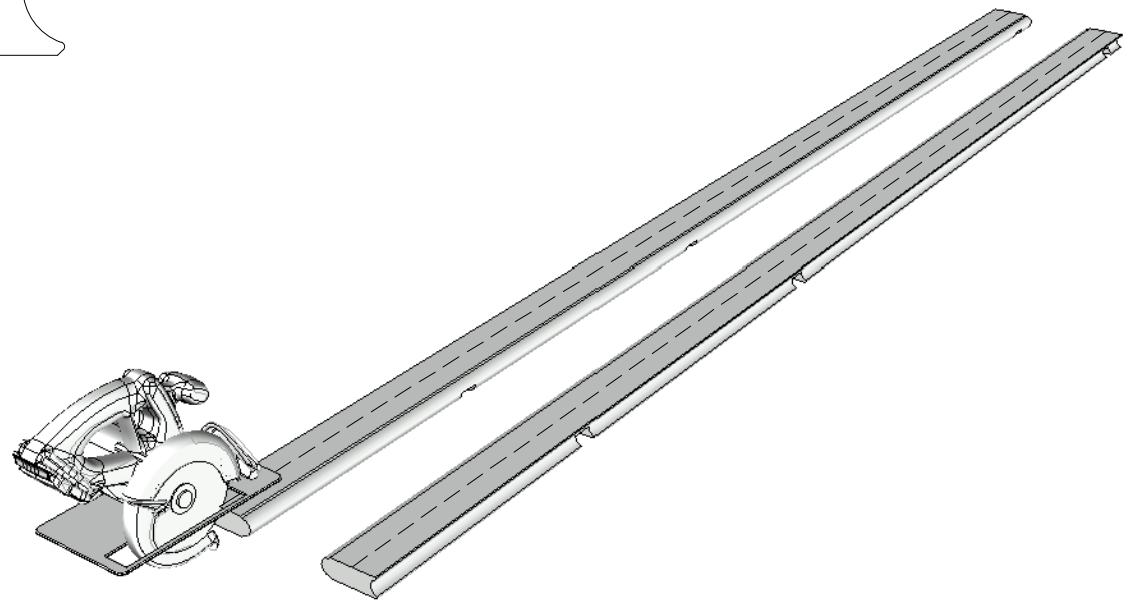


Please measure the gap at the front and back, the measurements may differ





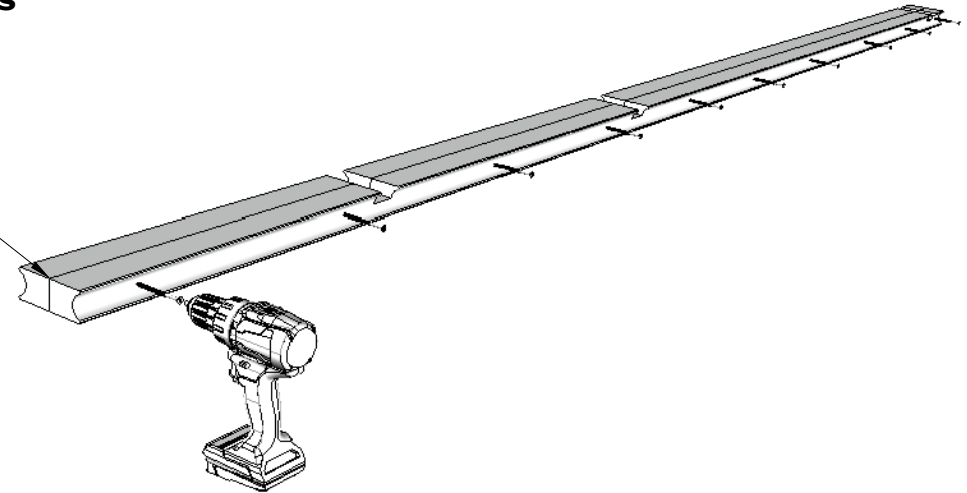
Divide the measurement by two and transfer the measurements to the last two planks. Connect the measurements on the plank with a line and cut .



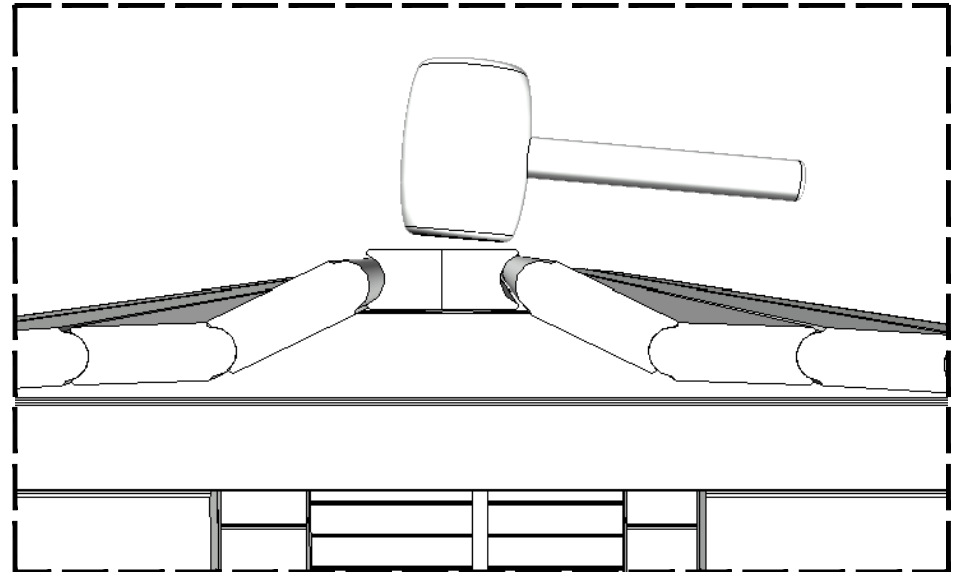
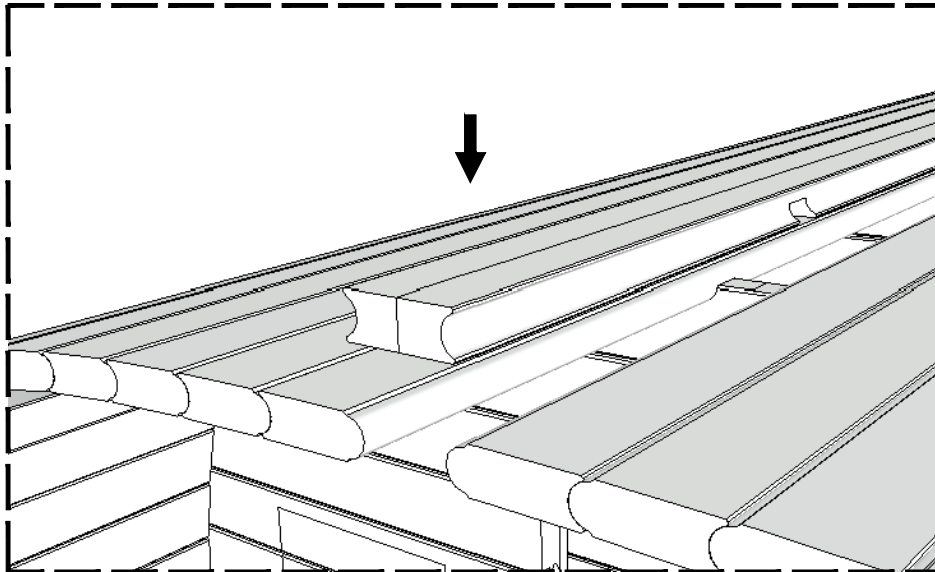
Screws

**10x 3x40 ...
4,5x80**

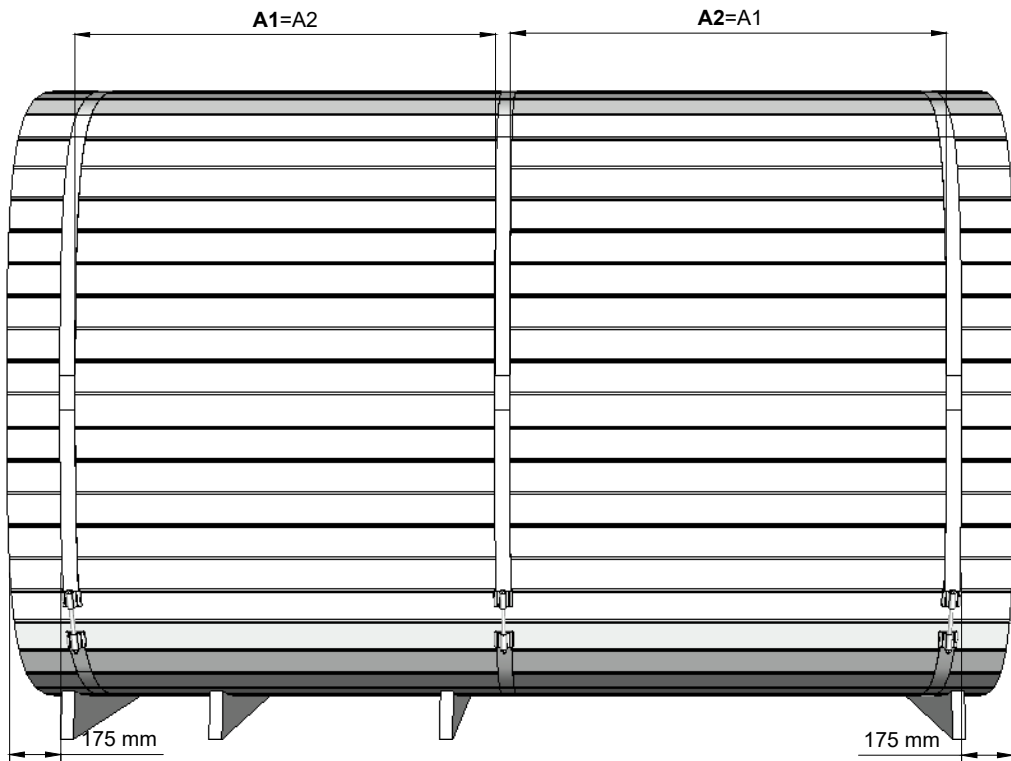
**Glue the two newly cut planks together
with wood glue and connect them with
10 pieces of 3x40 ... 4.5x80 screws**



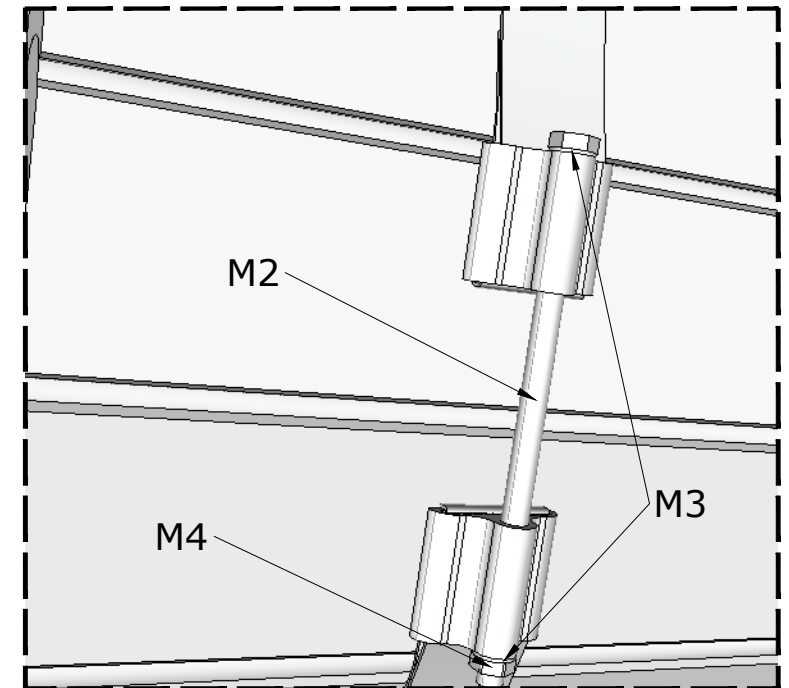
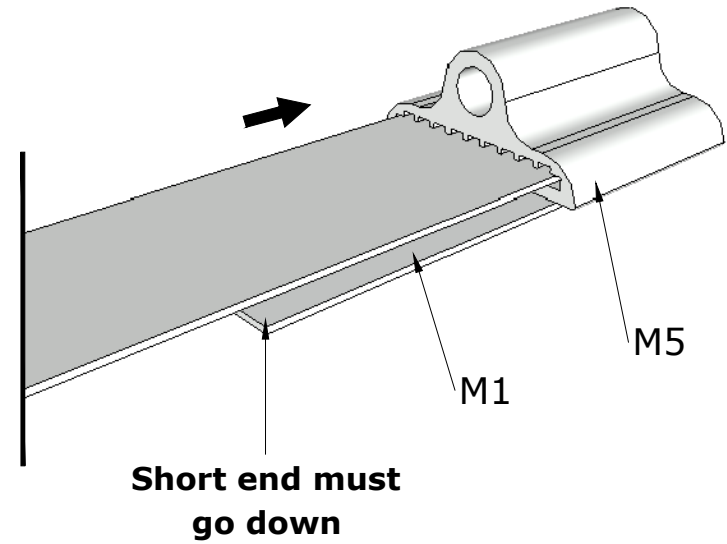
**The length of the screws depends on
the final width of the last two planks
cut**



The hex nuts should be tightened until the wall studs are immobile in all directions



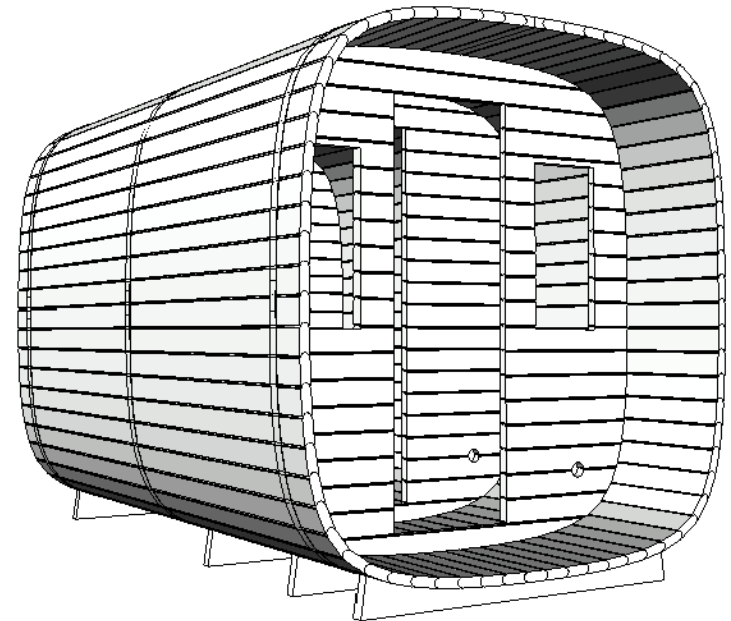
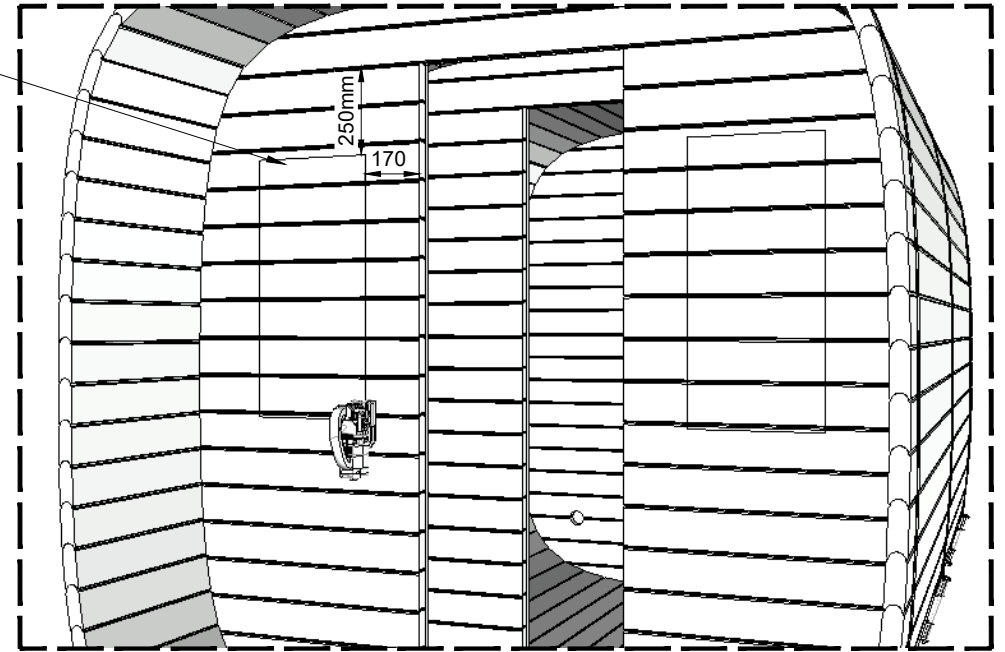
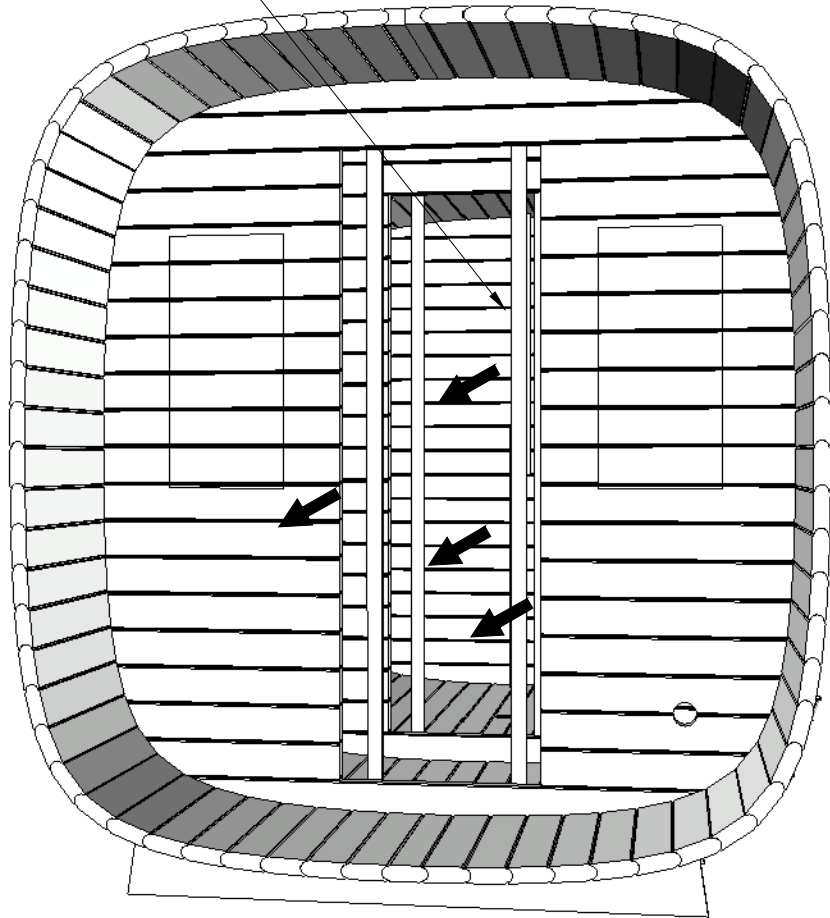
Place the steel straps around the barrel and thread the straps into the eyelet as follows (see sketch)



The top of the window should be 250mm lower than the top of the door

Remove the connecting strips from the walls

Cut window sections only if windows have been ordered



Screws

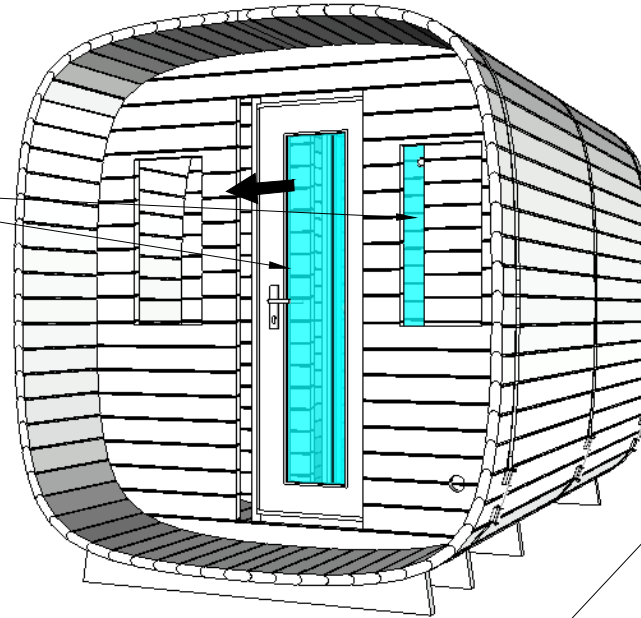
48x 4,2x75
32x 3x40

**Install the doors
from the inside**

NB! use a level



B7.1
outer door
B7.2
inner door

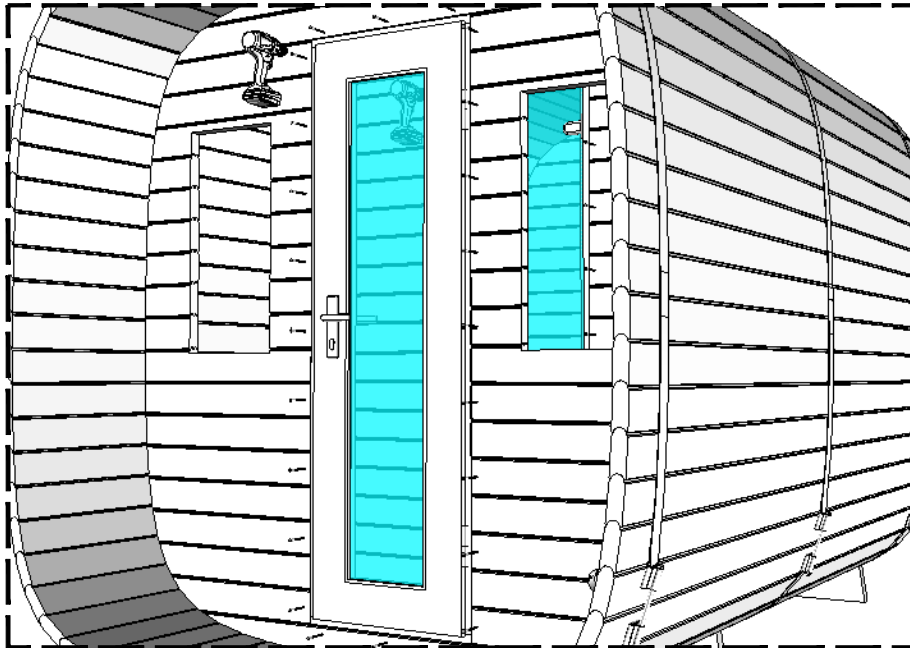


B7b
for outer door
and inner door

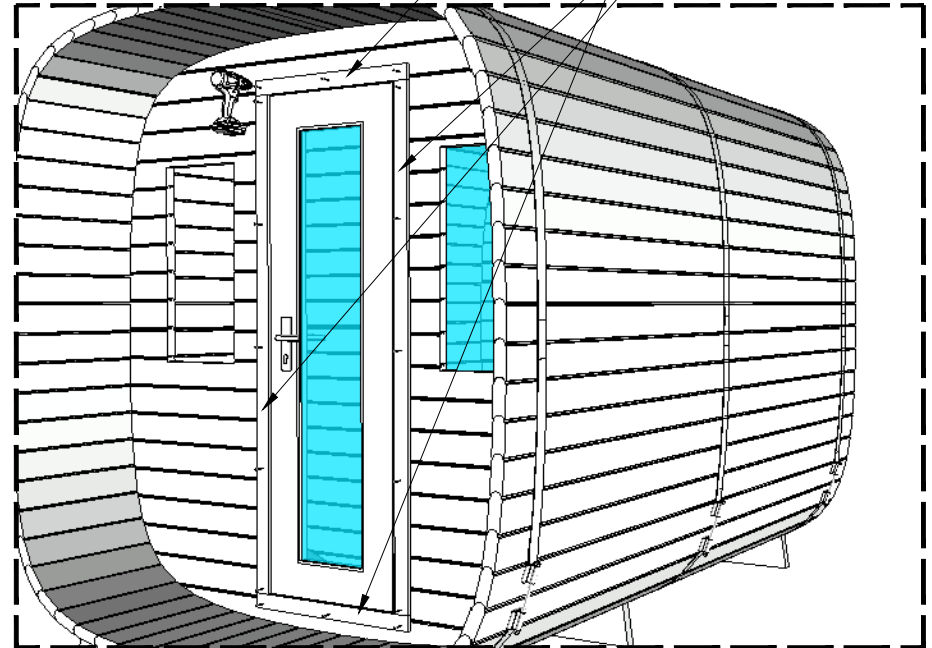
B7a
for outer door
and inner door

**Screw a screw screw into every second board
and three screws at the top and bottom on
both doors**

24x 4,5x75



16x 3x40

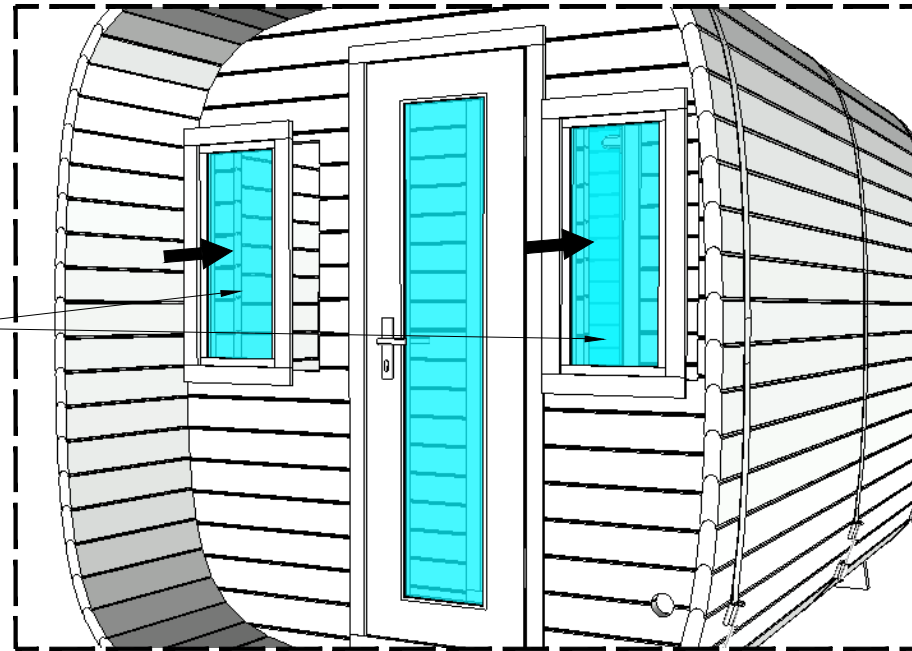


Screws

24x 4,2x55
20x 3x40

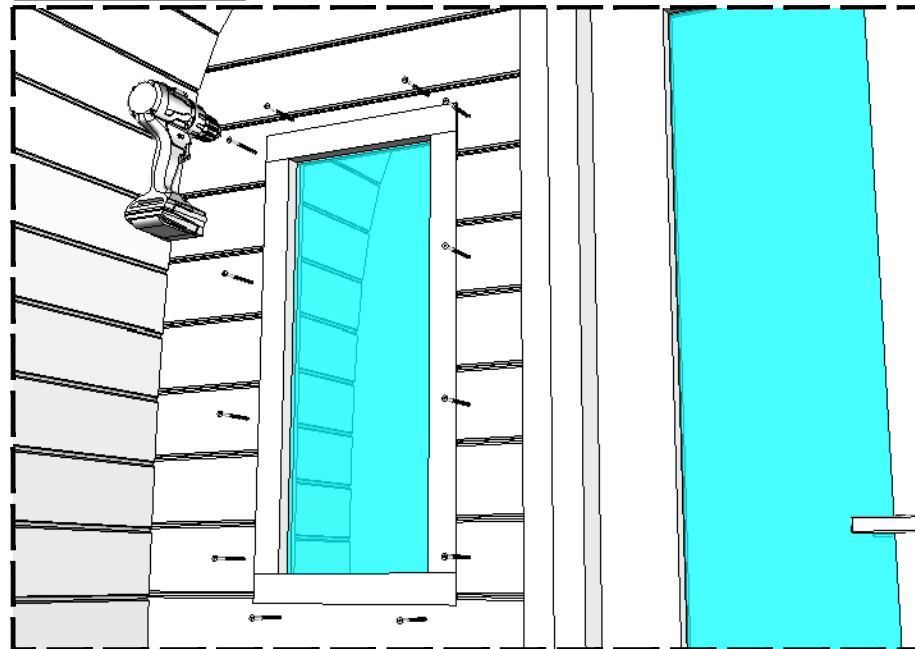
**Install the windows
from the outside**

NB! use a level



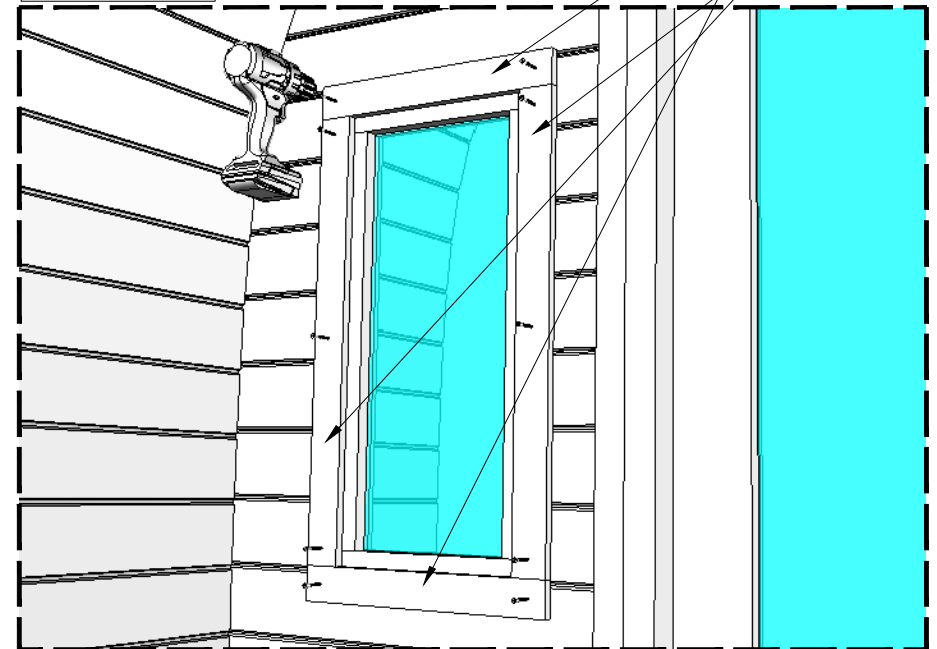
**Screw a screw into every second board and
two screws at the top and bottom**

12x 4,5x55



From inside

10x 3x40



From inside

B8b

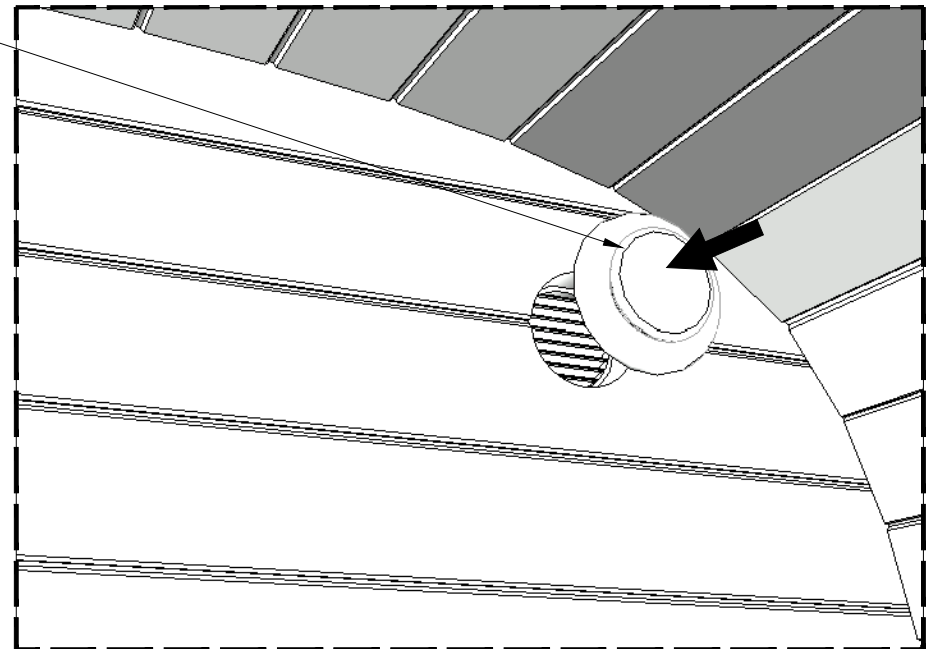
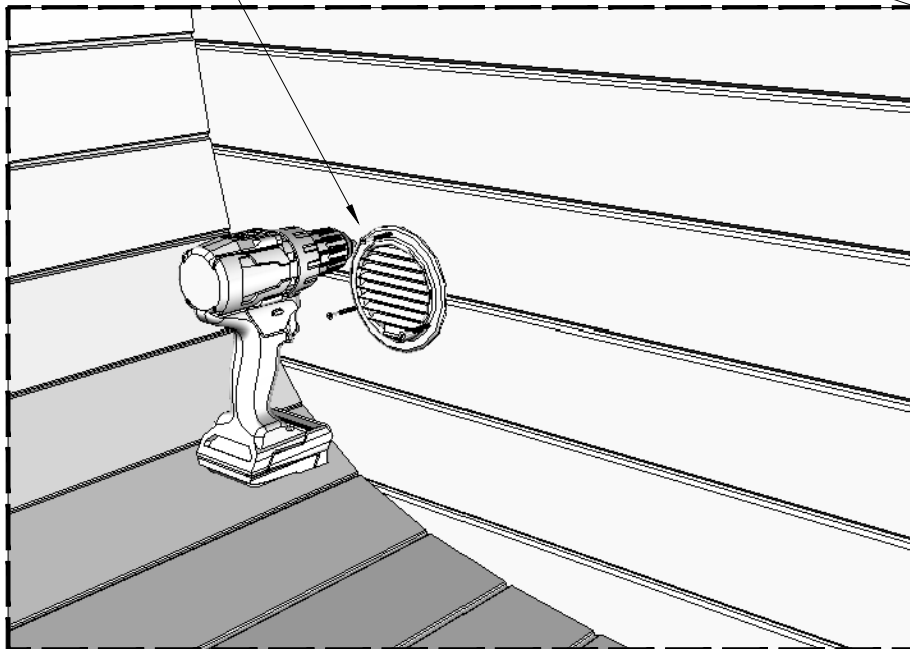
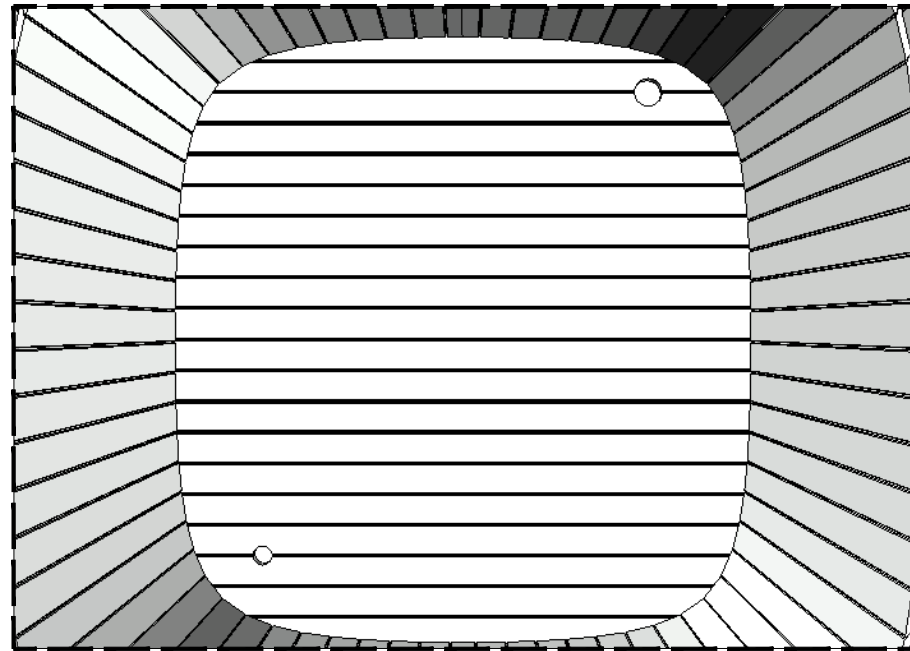
B8a

Screws

24x 3x30

**Mount V2
from both
sides with
3x30 screw**

**Mount V3 from the
inside with
3x30 screws
and V2 from the
outside**



Screws

44x 4,5x80

4x 4,5x60

Use glue and screws to fix
K28 and K45 to the wall

NB! use a level

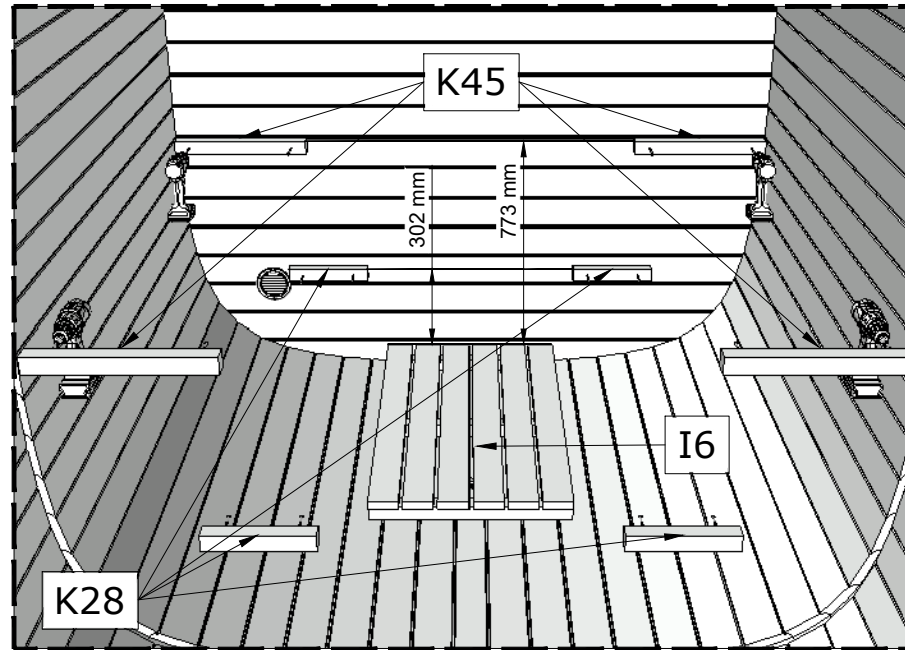


Attach K10 directly below (45mm) I1

Please drill with a 4mm drill bit before
screwing

The K40 are longer and need to be cut to
size

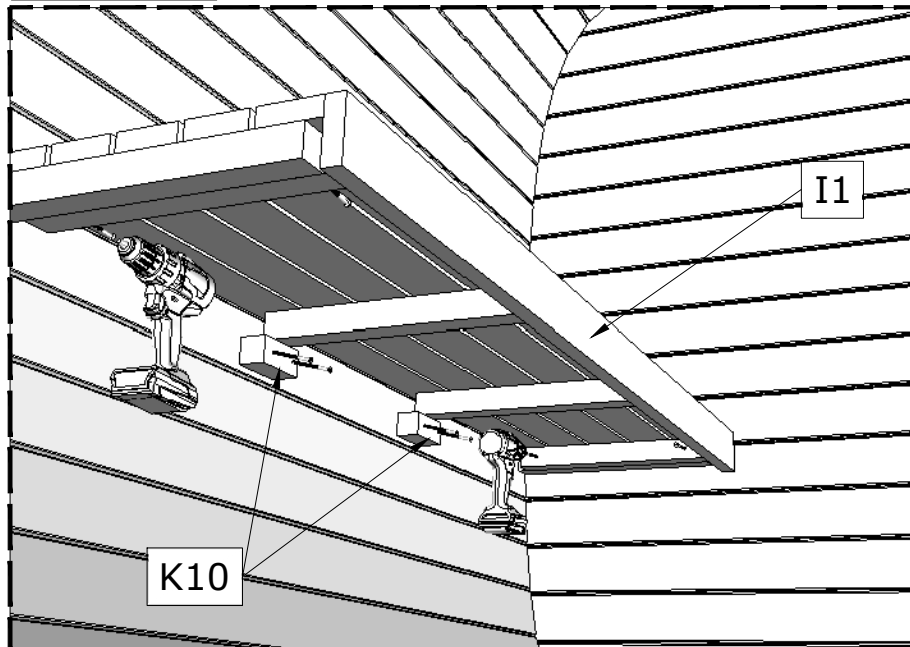
16x 4,5x80



16

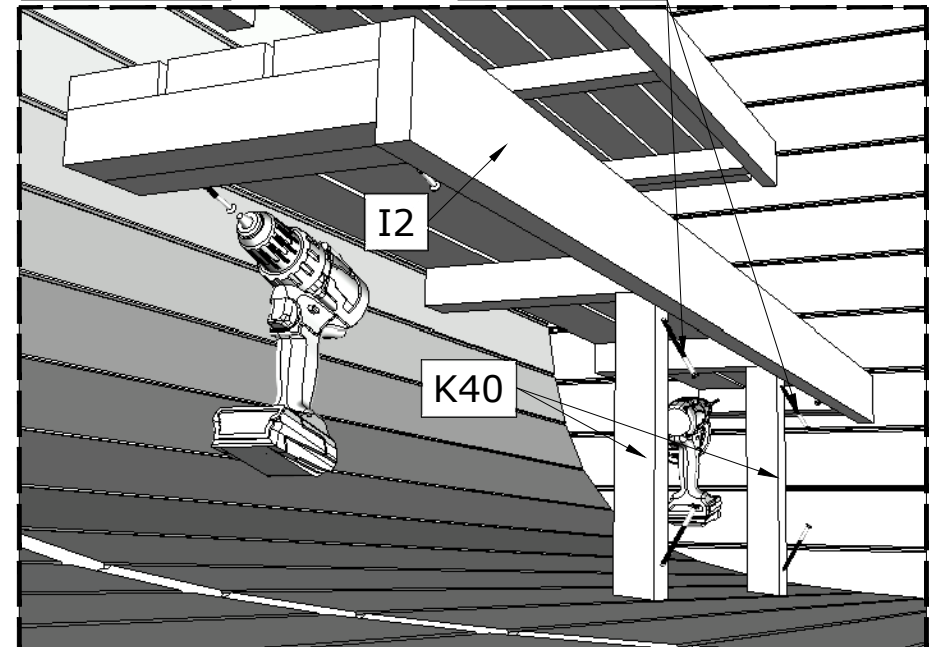
Use I6 to
measure the
height

8x 4,5x80



6x 4,5x80

2x 4,5x60



Screws

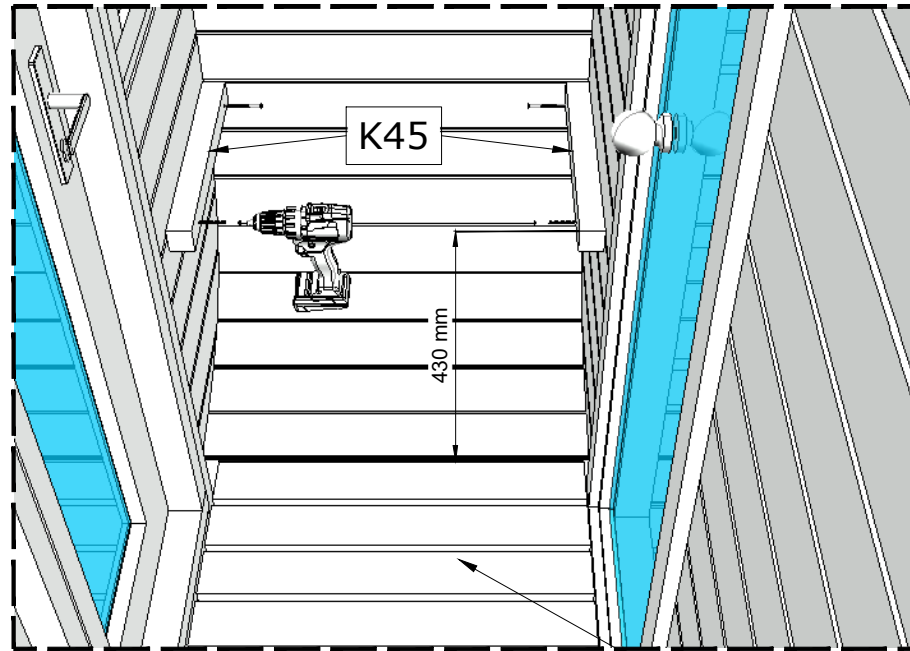
20x 4,5x80

Use glue and screws to fix K45 to the wall

NB! use a level



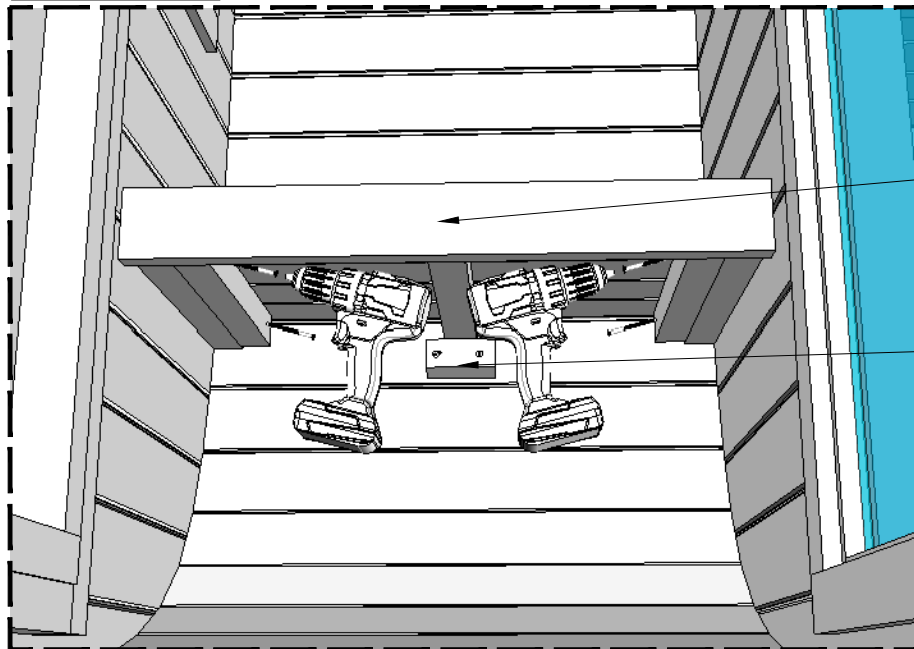
4x 4,5x80



I5

Use I5 to measure the height

6x 4,5x80



I3

K10

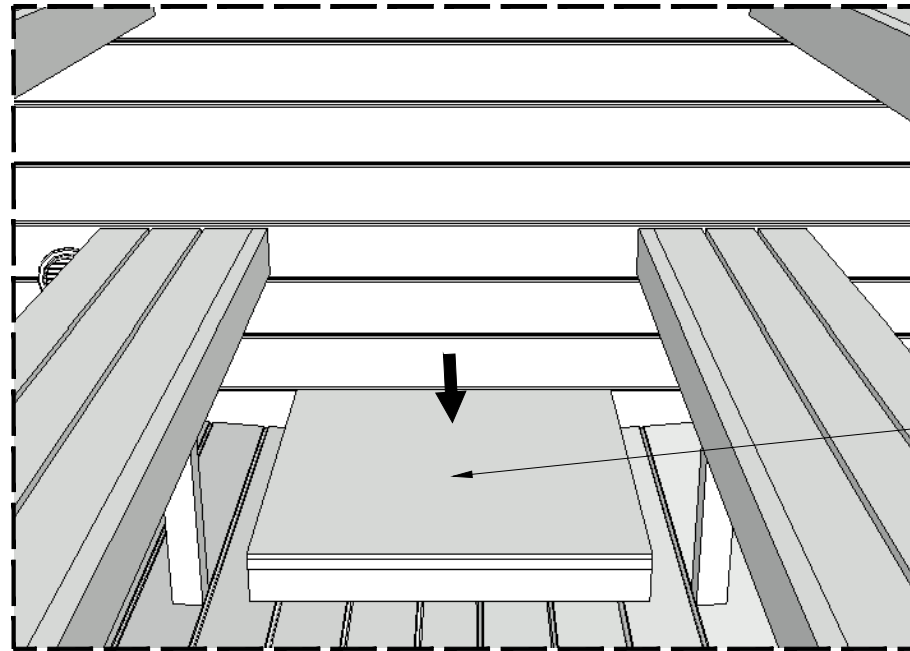
Attach K10 directly below (45mm) I3

Please pre-drill with a 4 mm drill bit before screwing

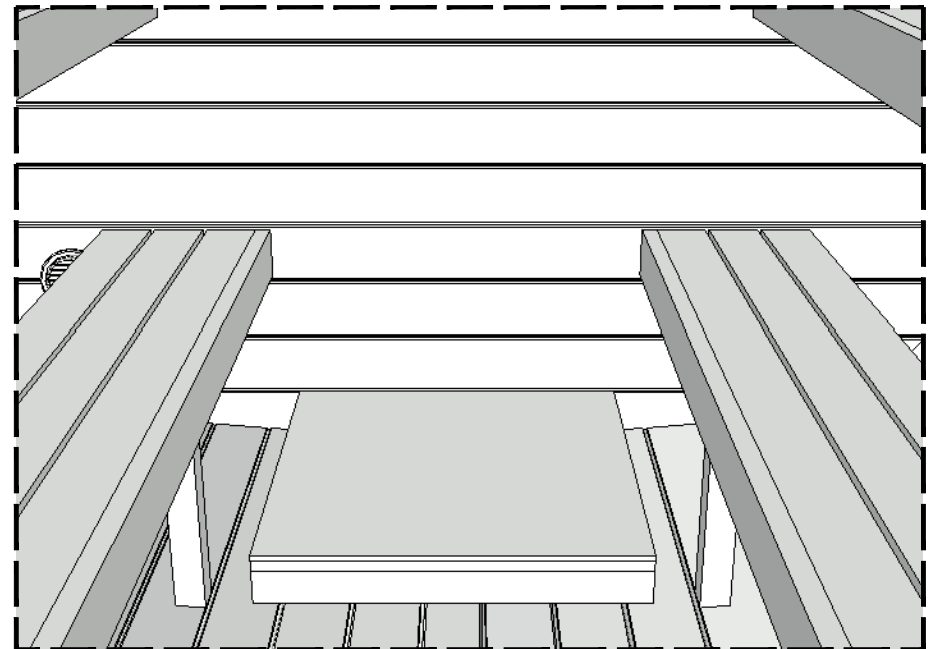
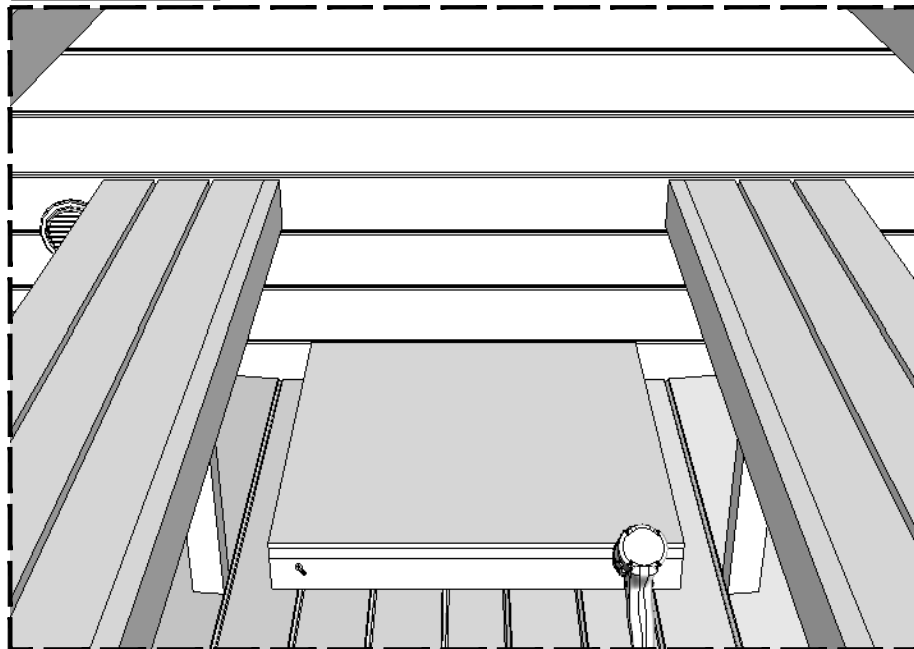
Screws

2x 4,5x80

NB! use a level



2x 4,5x80



Screws

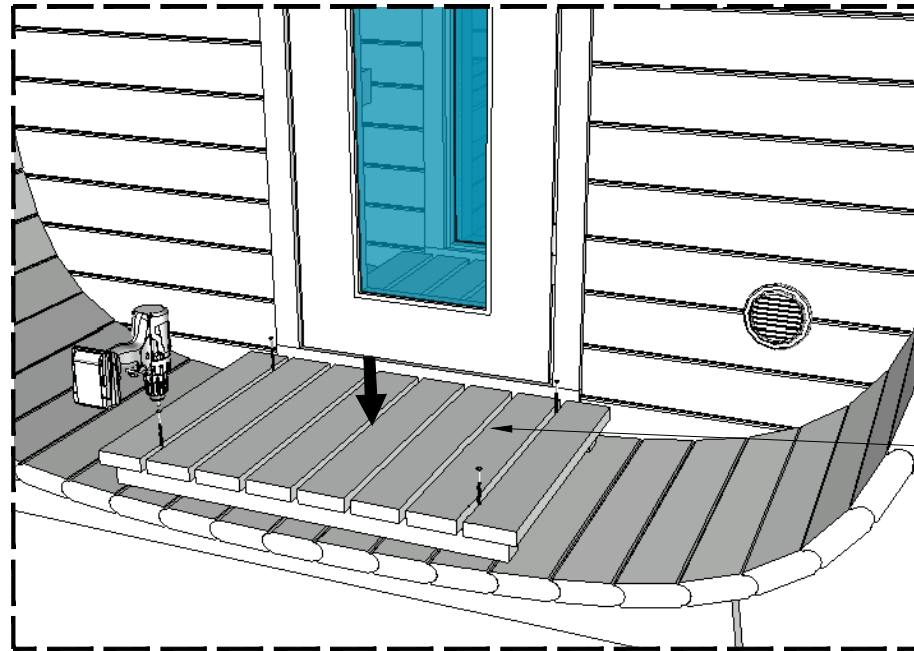
4x 4,5x80

NB! use a level



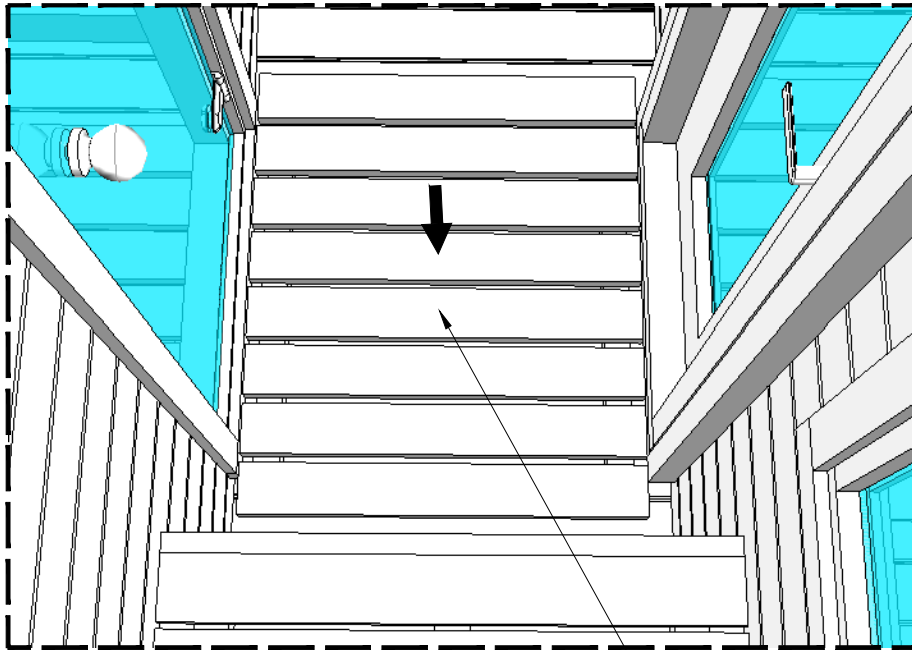
I5 and I6 are installed without screws so the floor can be cleaned

4x 4,5x80

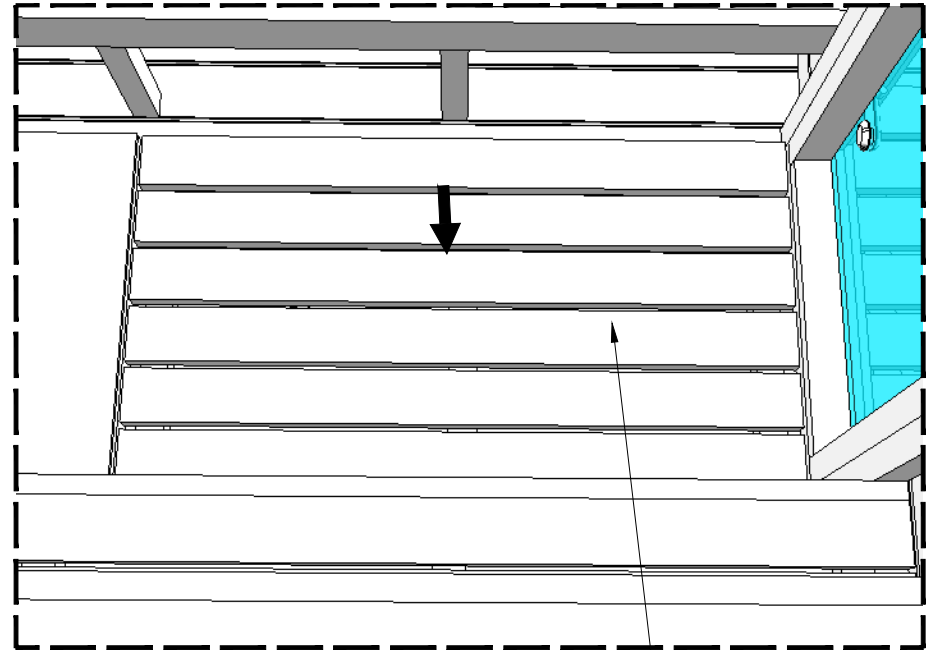


I4

19



I5



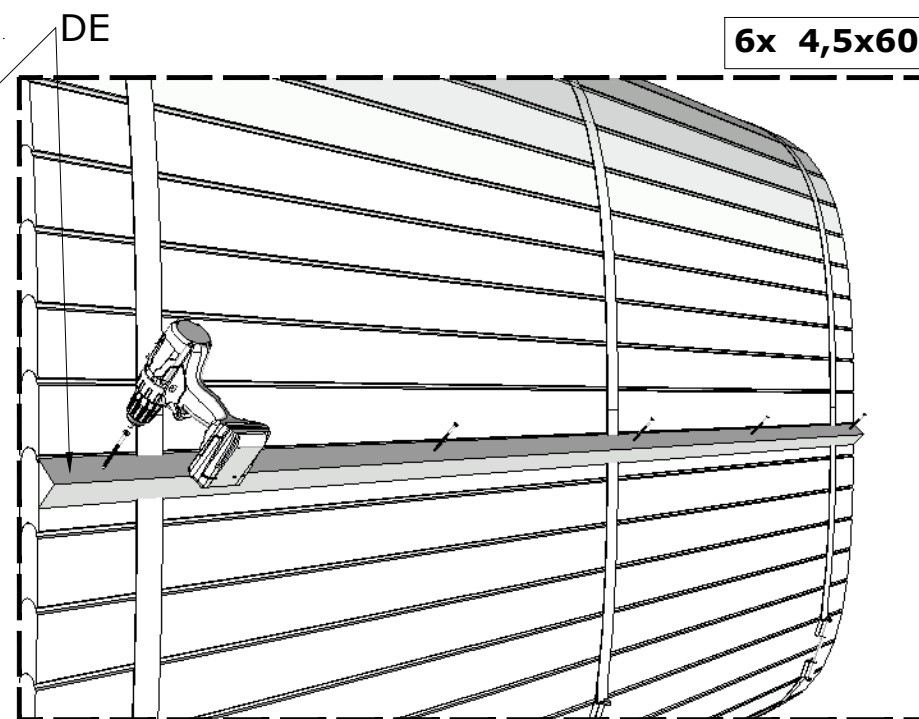
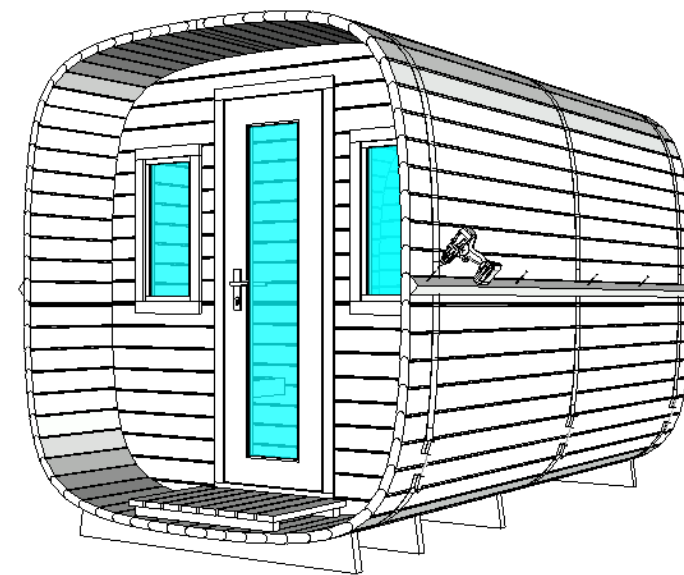
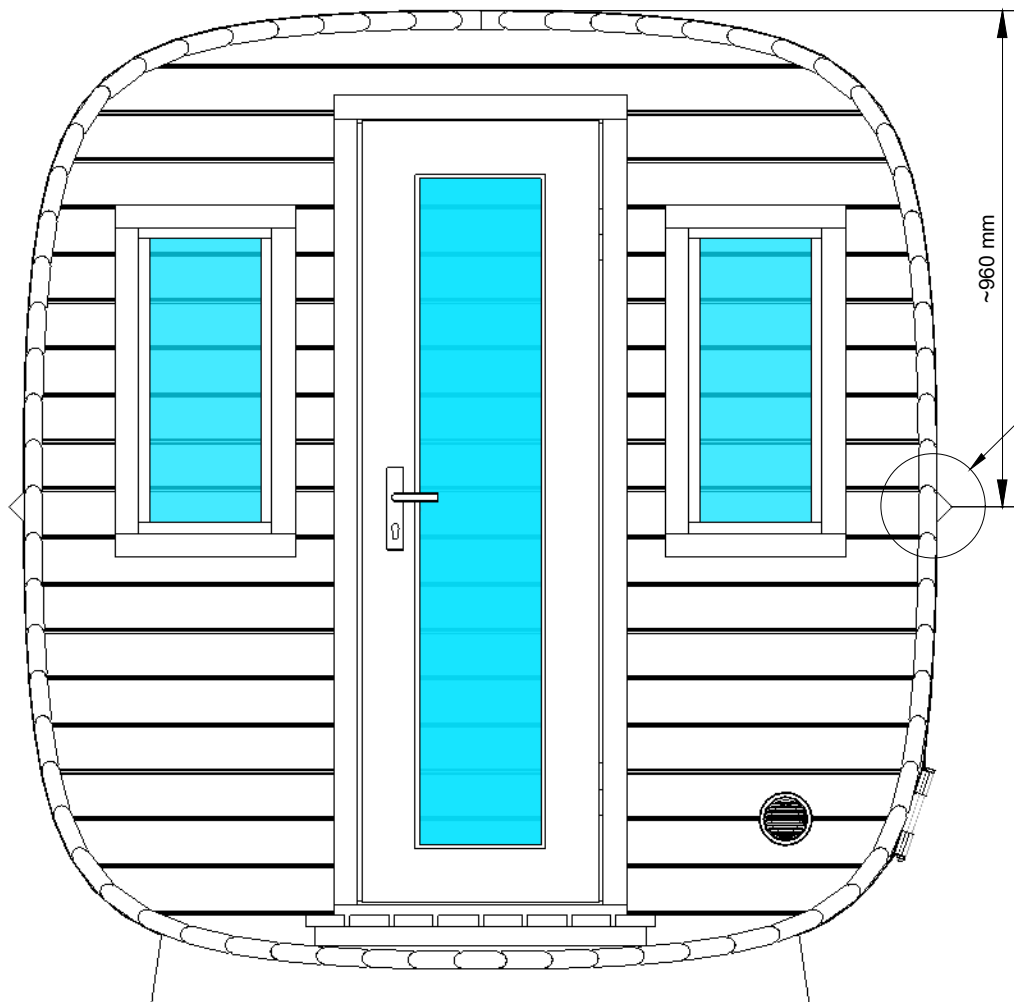
I6

Screws

10x 4,5x60

Install the DE on both sides of the exterior walls. Please install according to the measurements given!

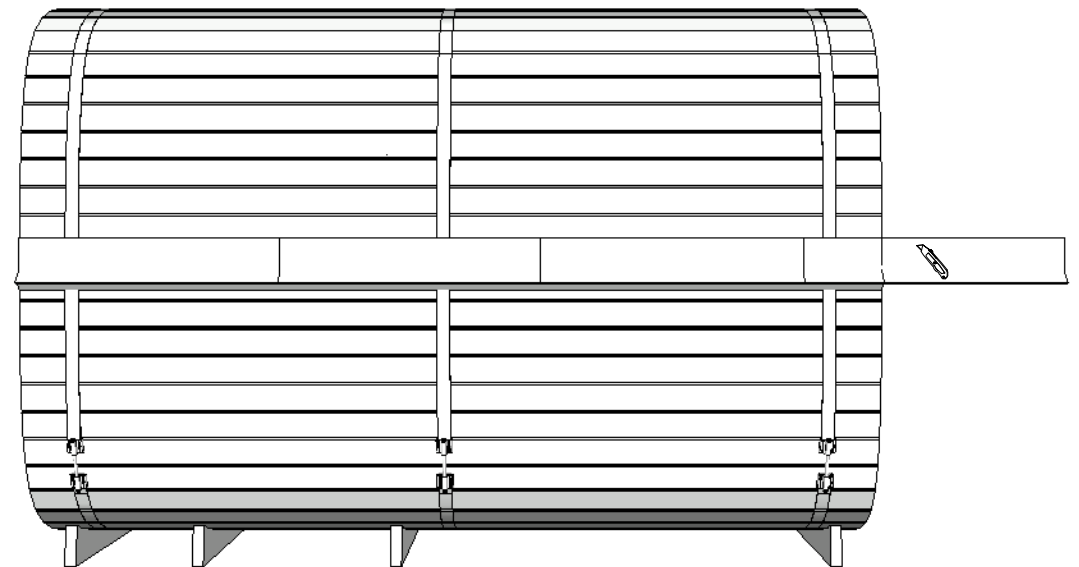
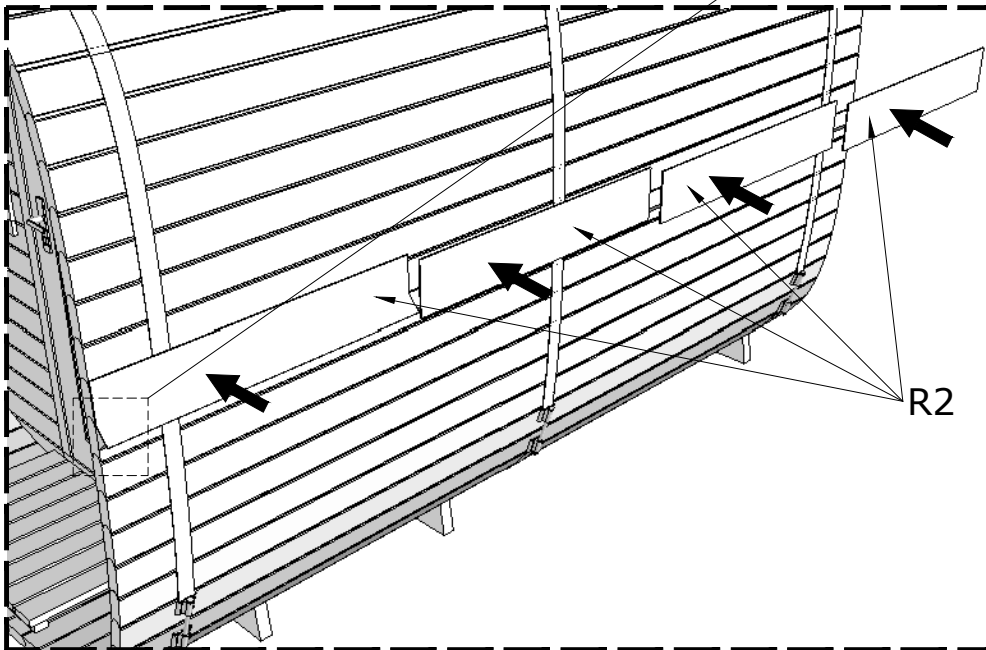
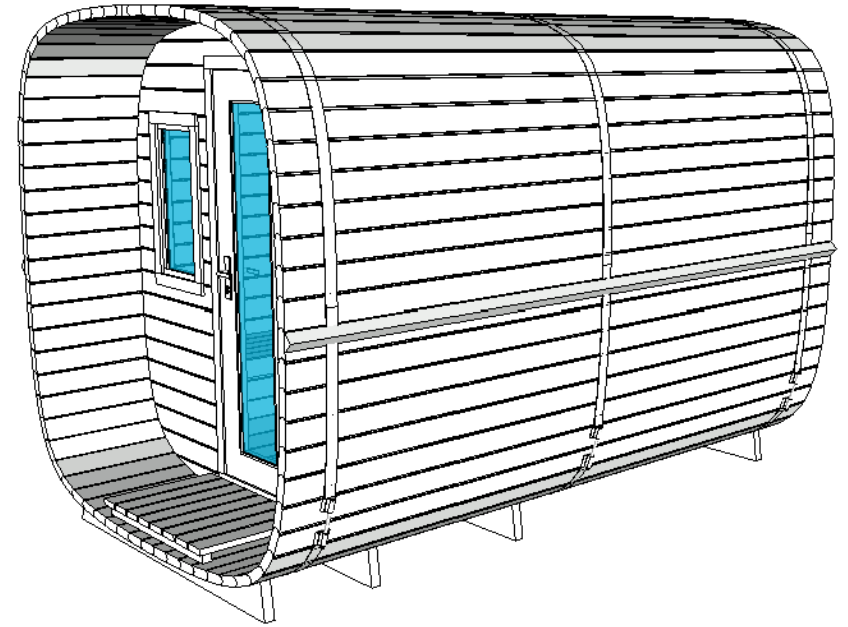
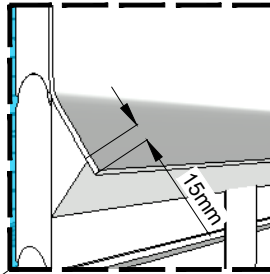
NB! use a level



Please start from both sides from below, both sides meet at the top in the middle

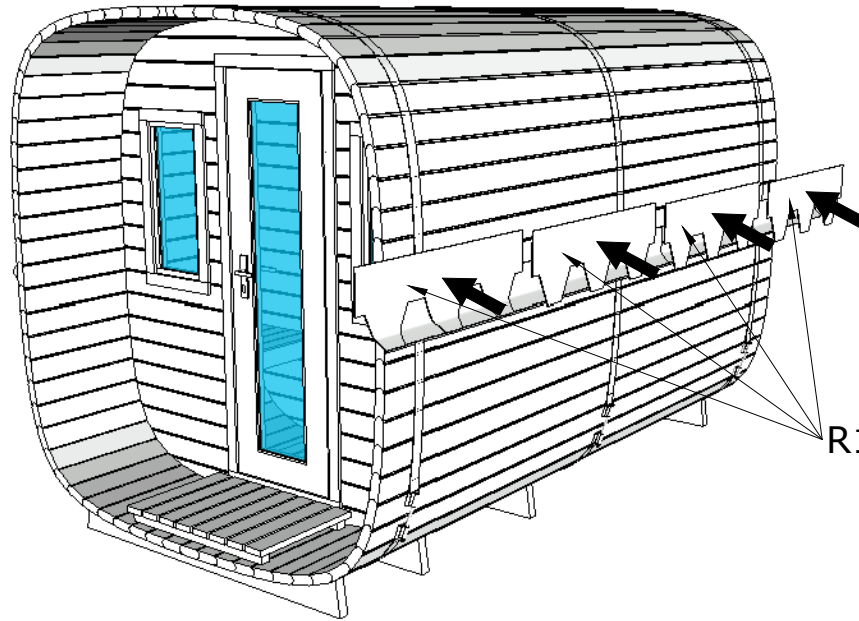
Let the roofing felt hang over DE by about 15 mm

Use small nails to install the roof shingles. Also use the roofing shingle manual as an aid to the proper installation of the shingles



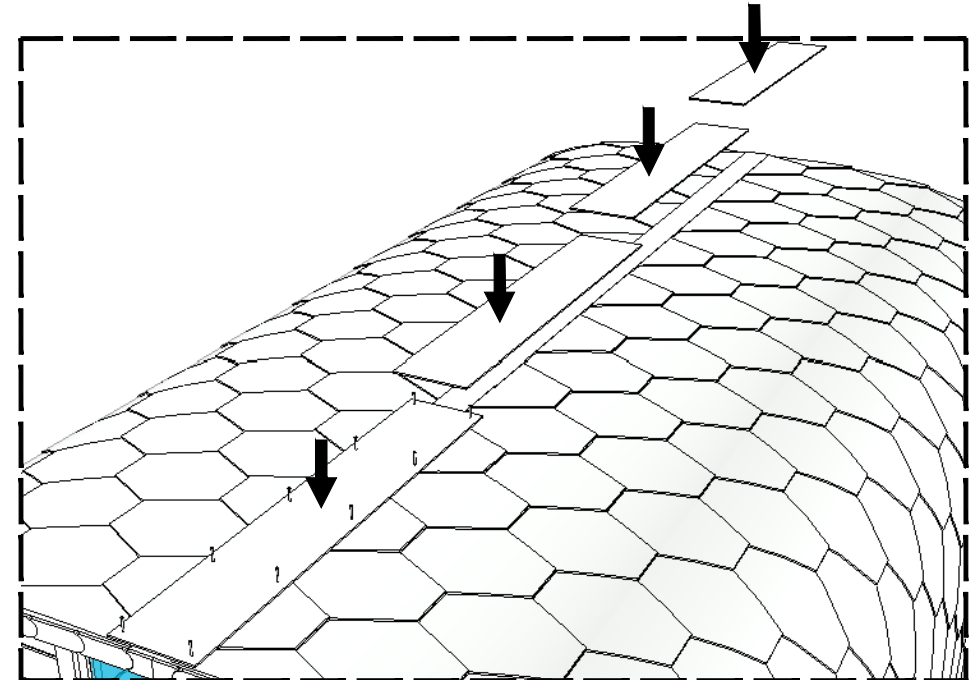
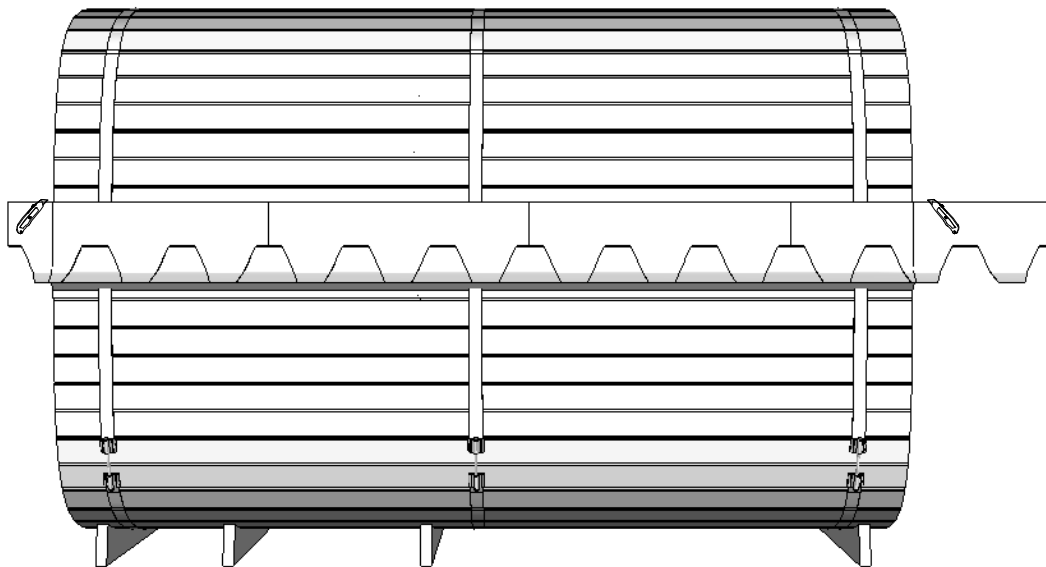
Please start from both sides from below, both sides meet at the top in the middle

Cut the last piece and use it to start the next row



Use the nails described in the instructions for the shingles

Finish the roof shingle covering at the top with the shingles and cover the top end with R2, please overlap the shingles by at least 50mm



Screws

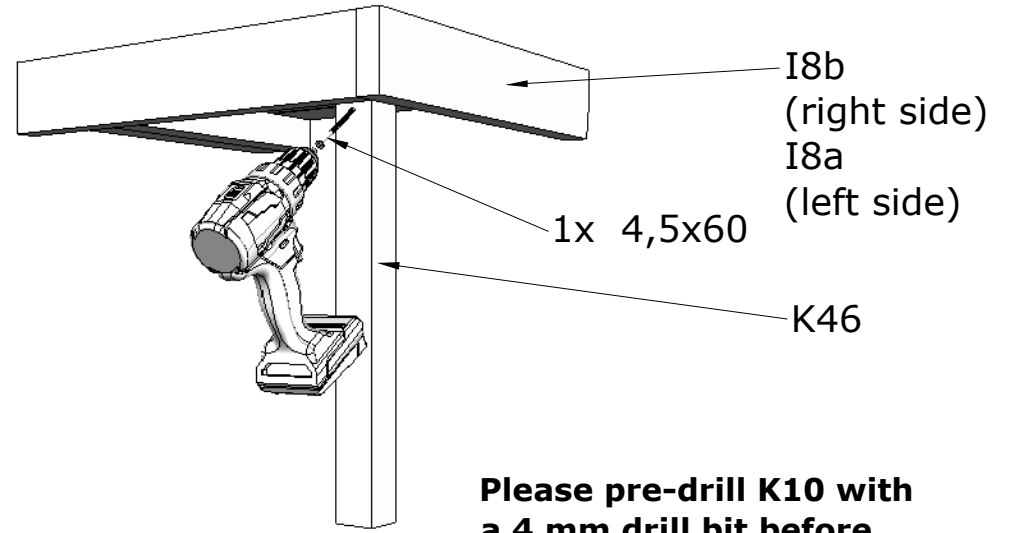
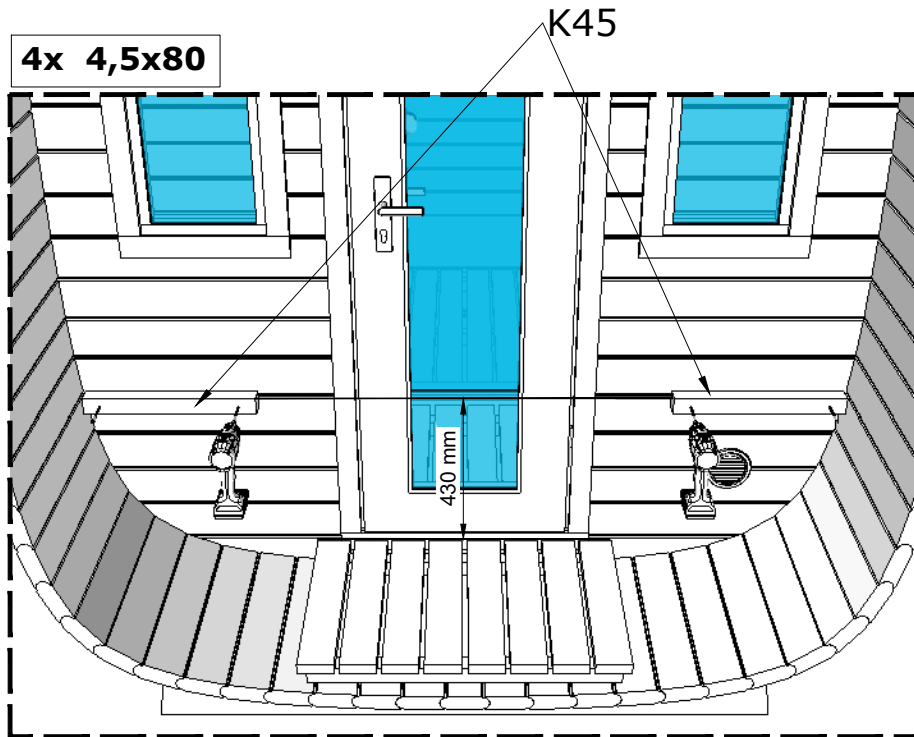
12x 4,5x80
4x 4,5x60

The K46 are longer and need to be cut to size

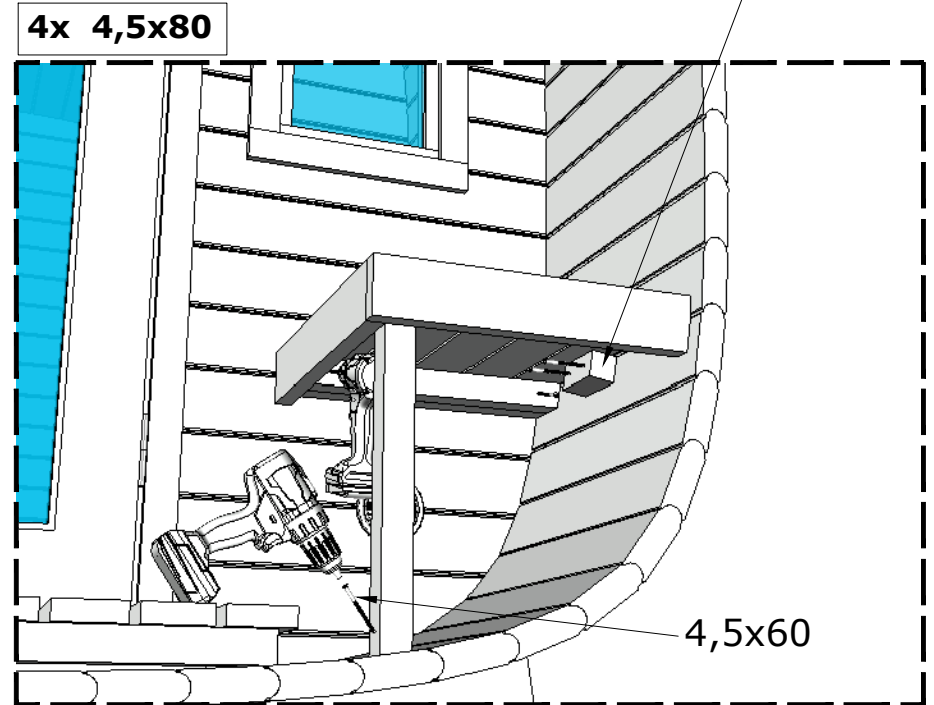
NB! use a level



Use glue and screws to fix K45 to the wall



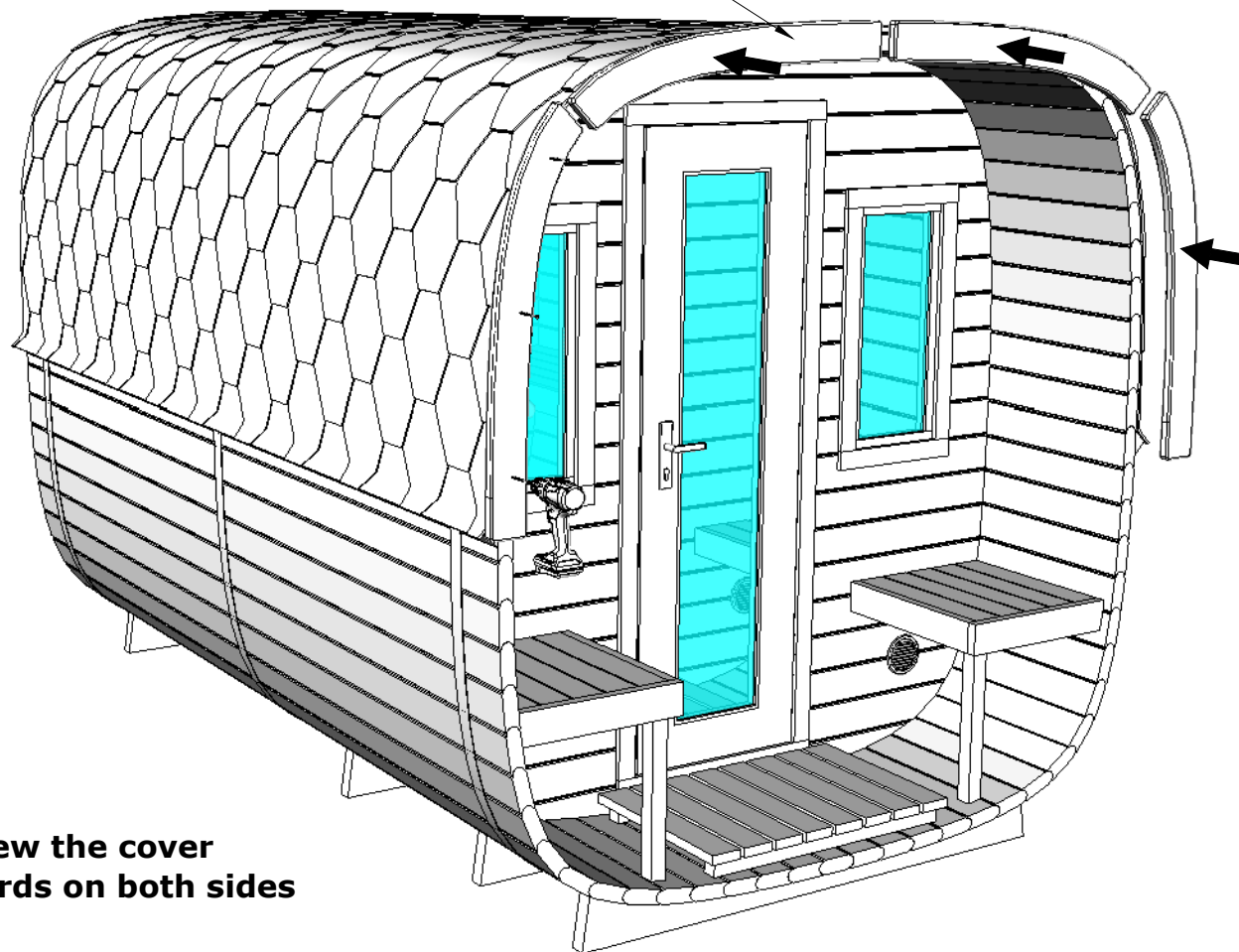
Please pre-drill K10 with a 4 mm drill bit before screwing



Screws

24x 4,5x80

D1



**Screw the cover
boards on both sides**