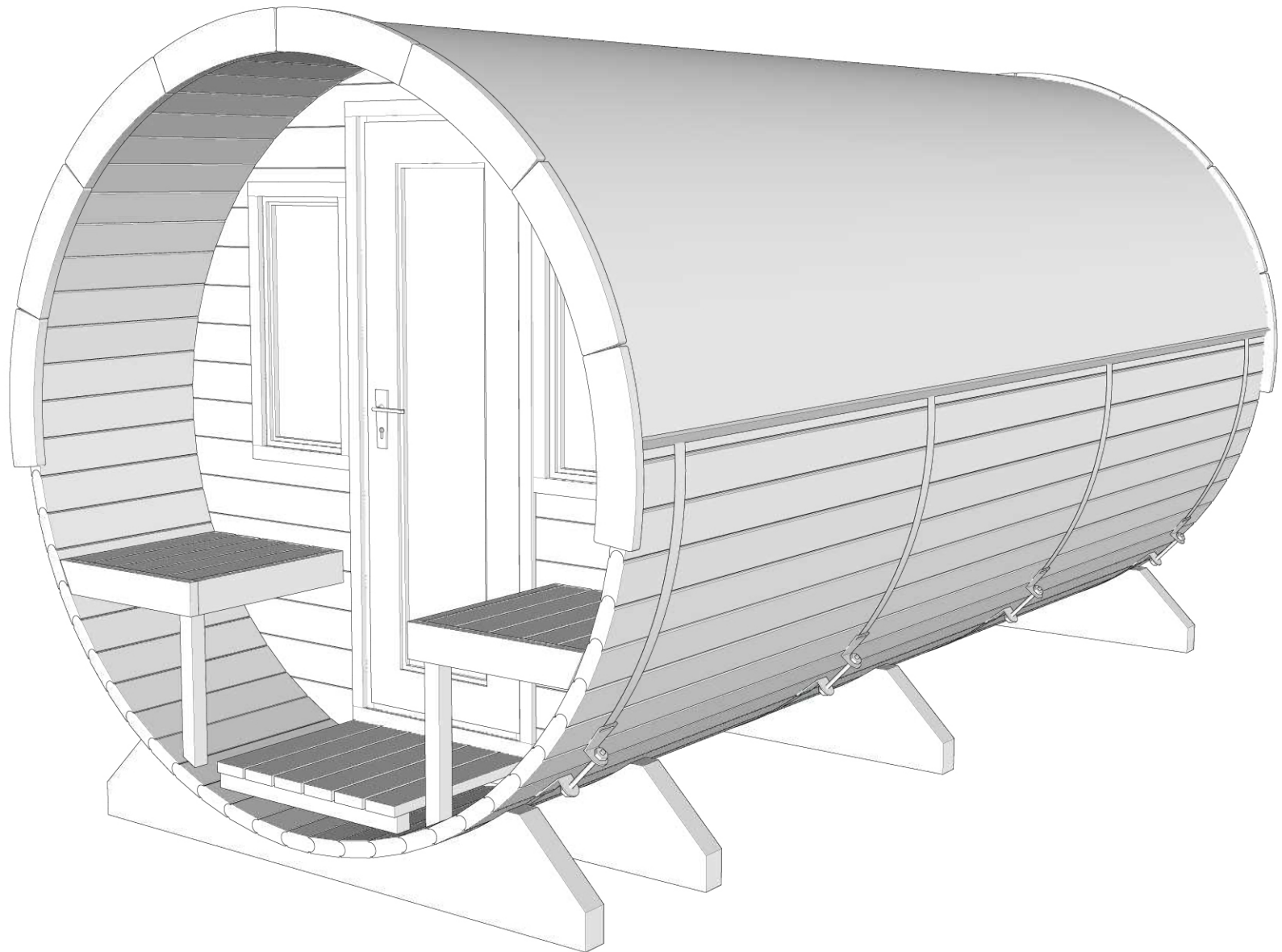
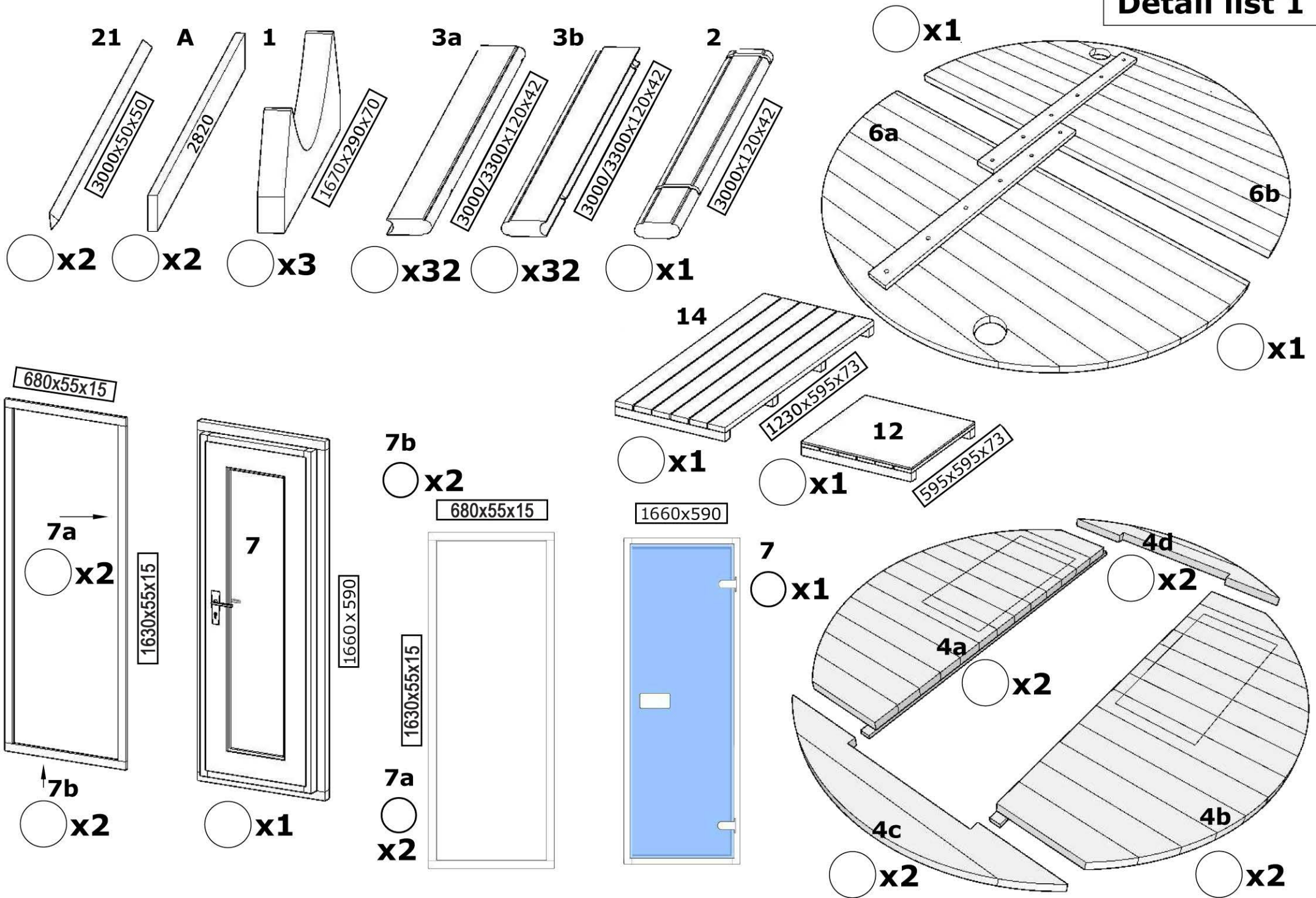


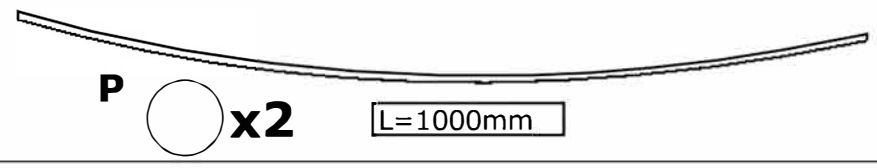
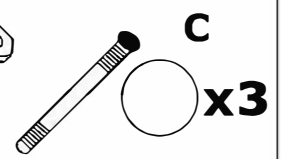
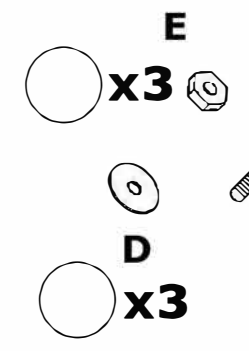
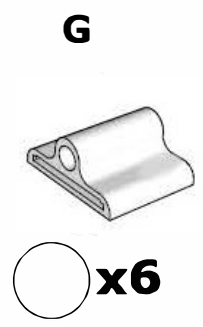
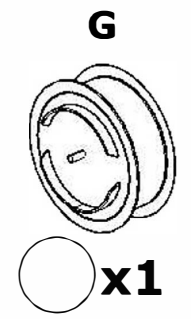
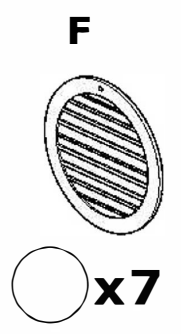
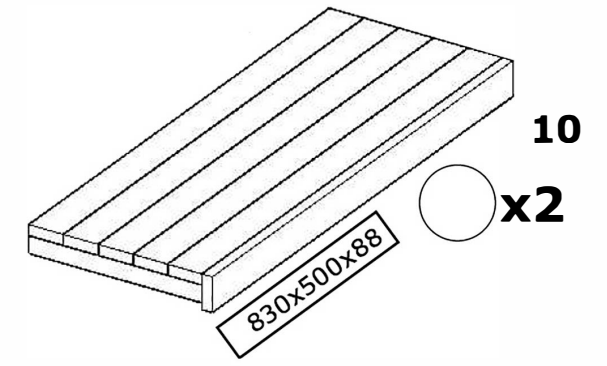
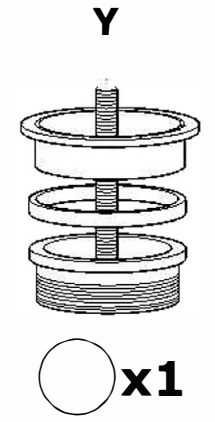
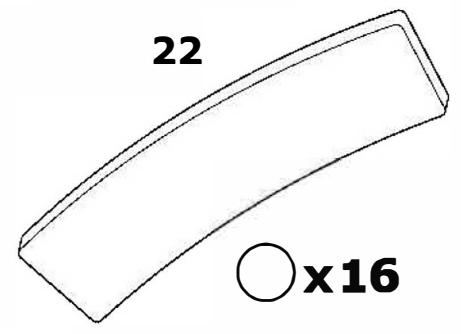
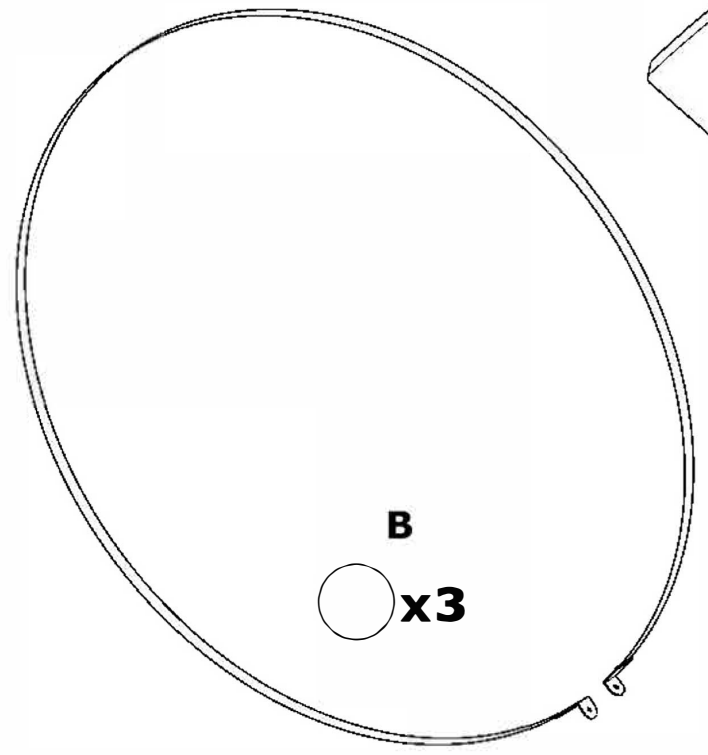
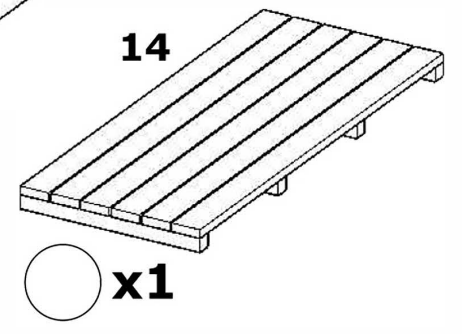
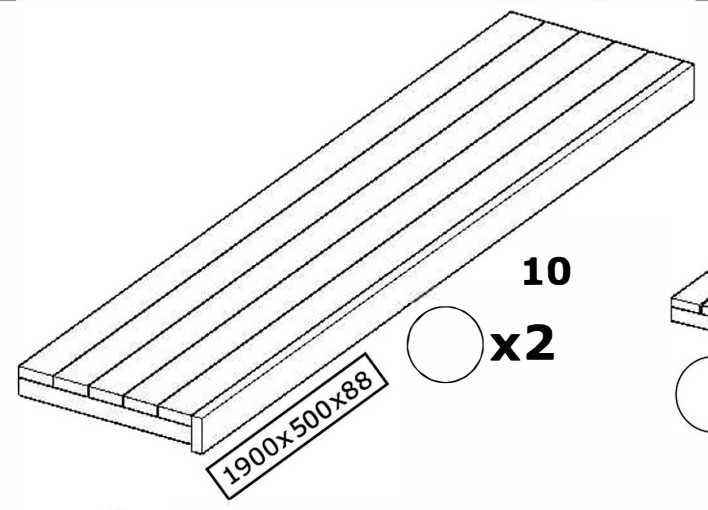
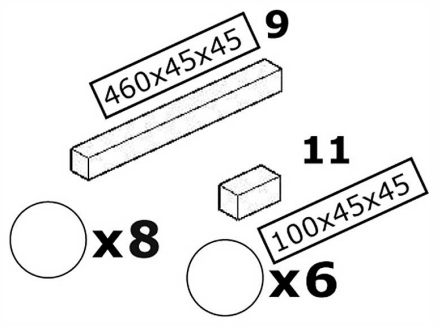
Sauna 330



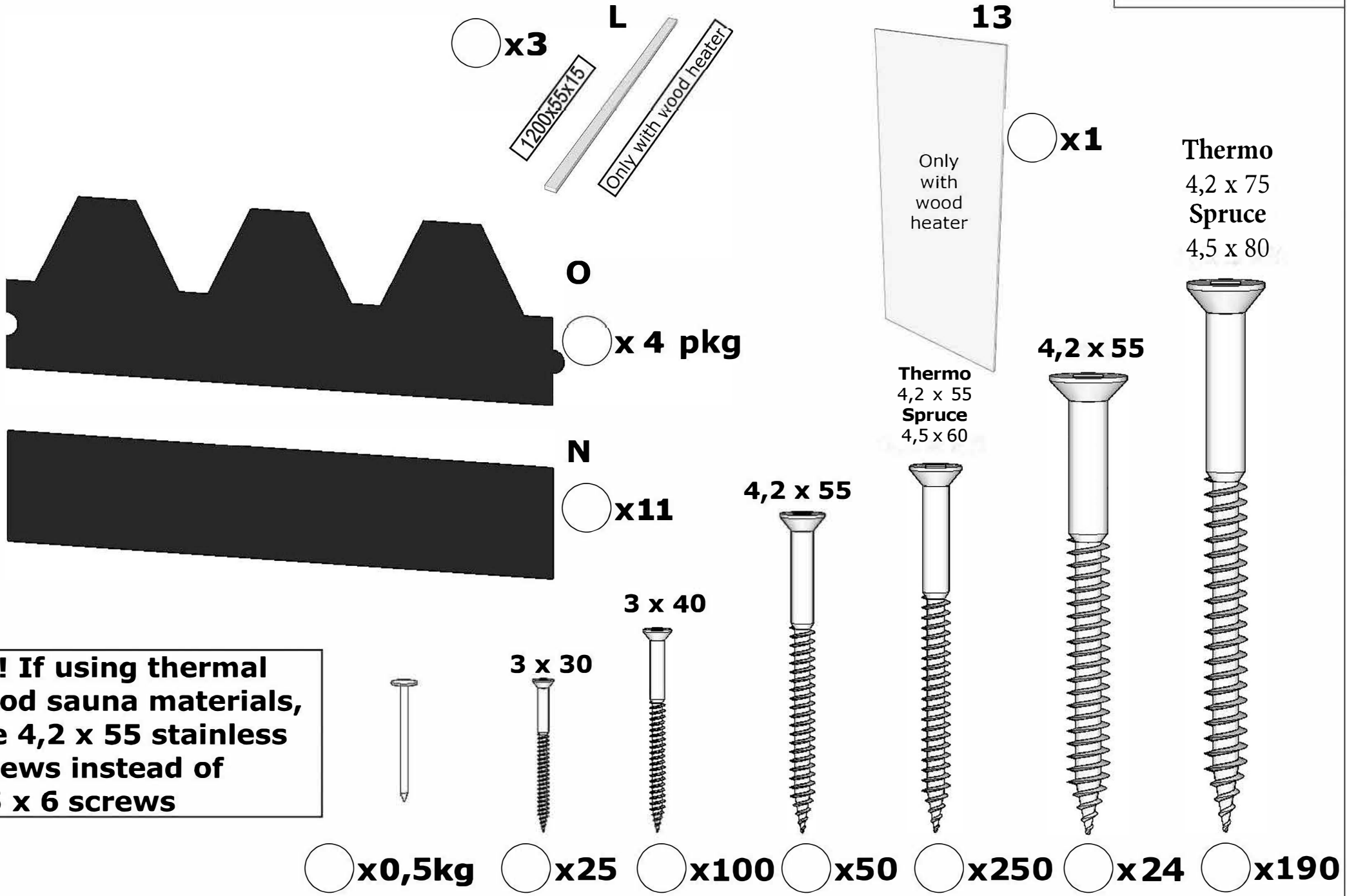
Detail list 1



Detail list 2

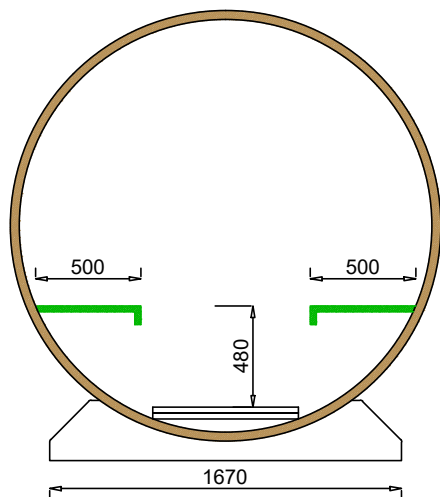
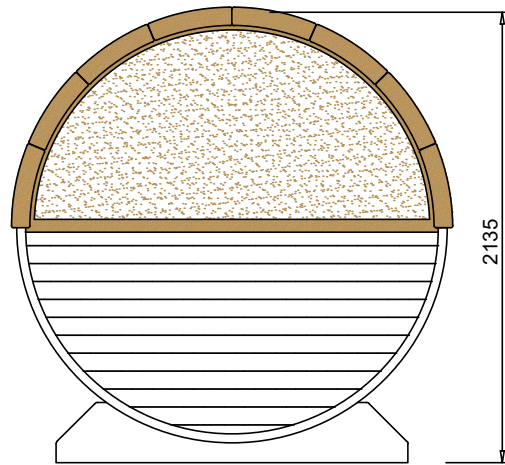
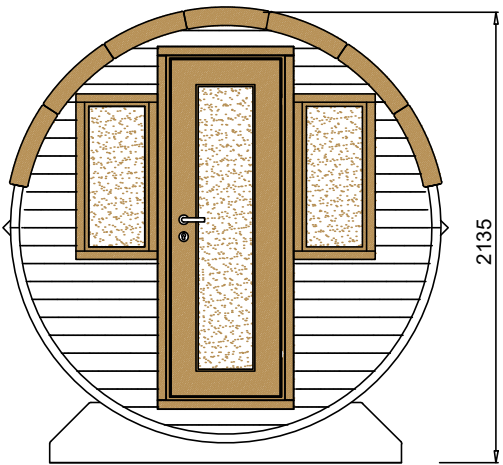
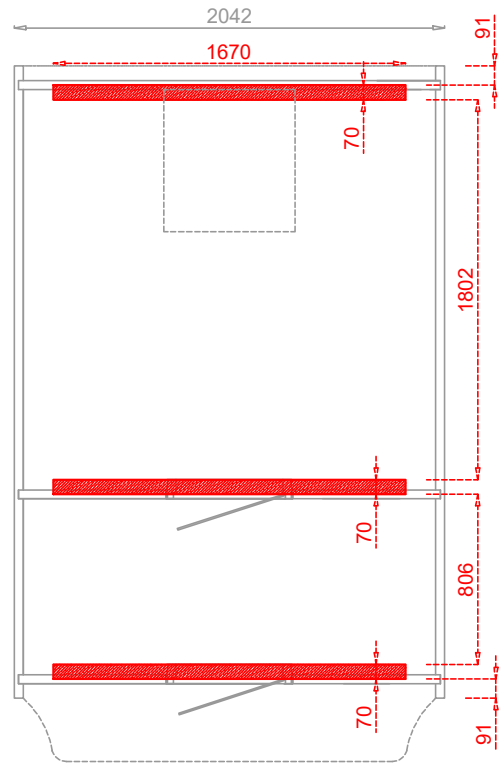
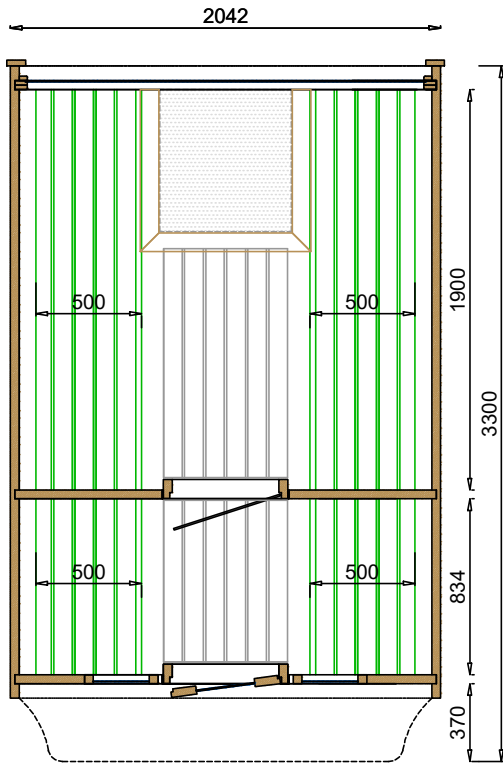


Detail list 3

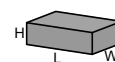


NB! If using thermal wood sauna materials, use 4,2 x 55 stainless screws instead of 4,5 x 6 screws

Fasssauna Choice 205x330

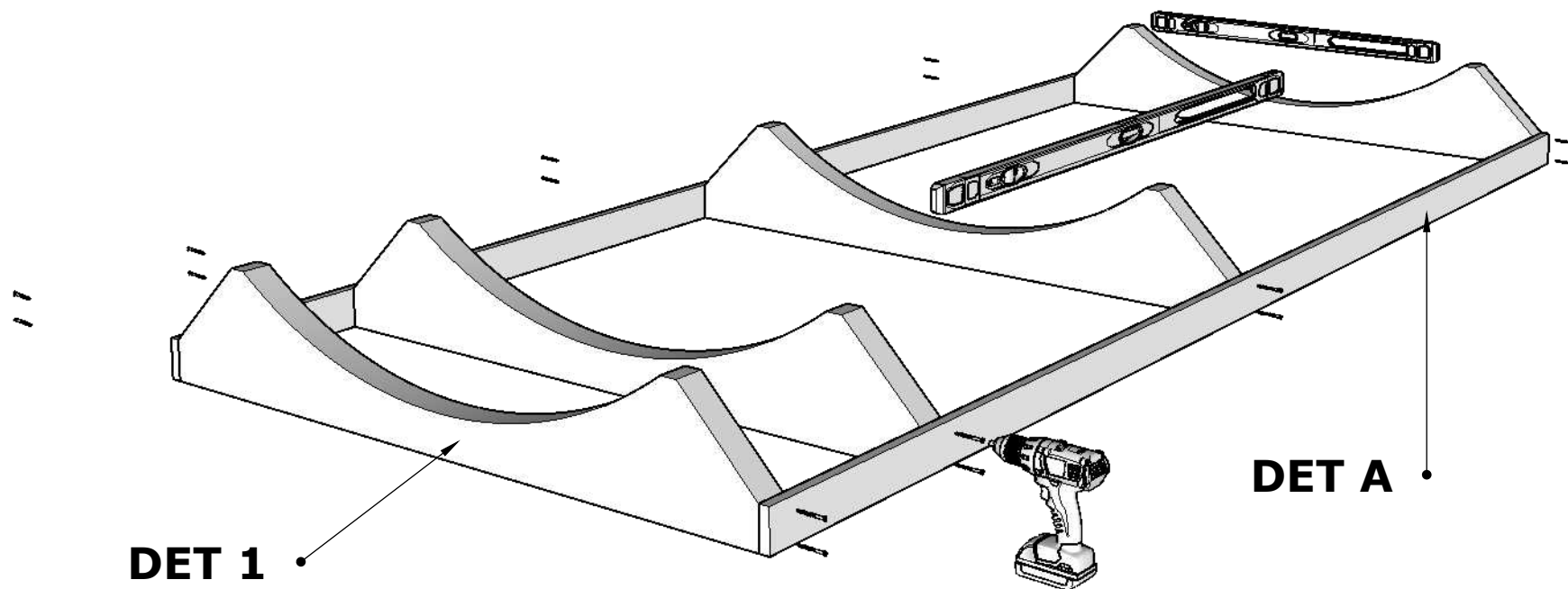
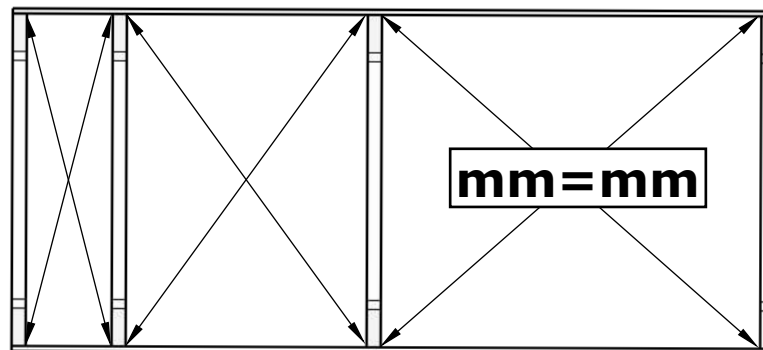


 960 kg

 (LxWxH) 330x120x120 cm

16x 4,5x60

1

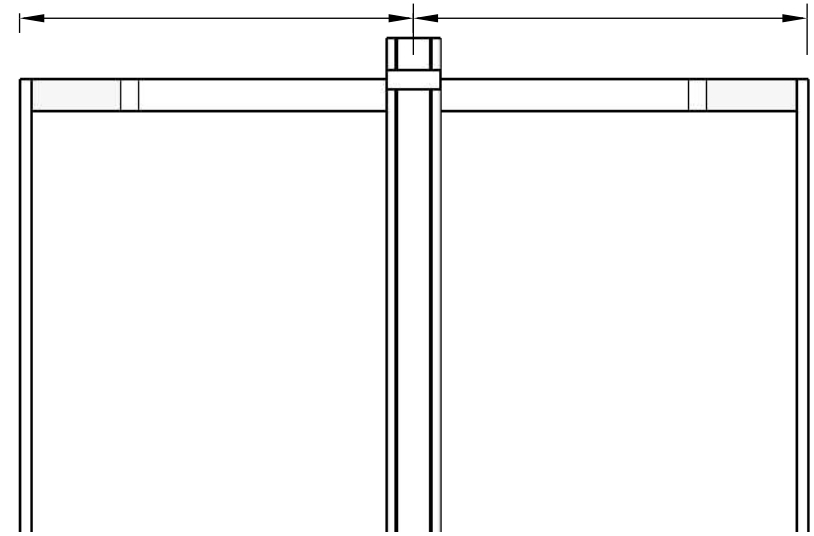
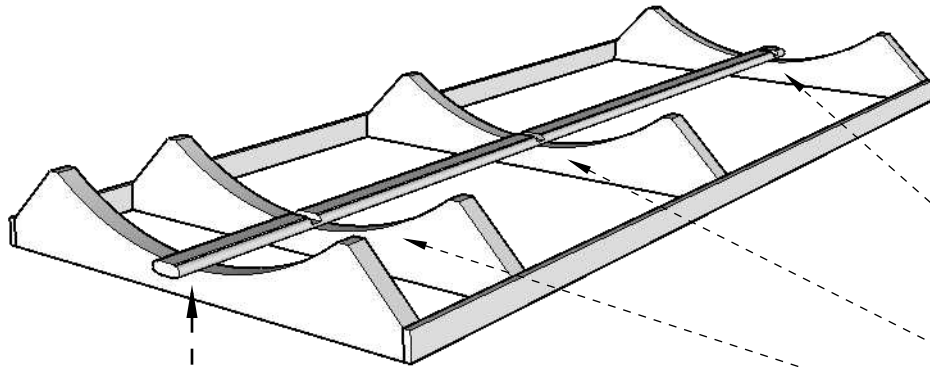


5x 4,5x80

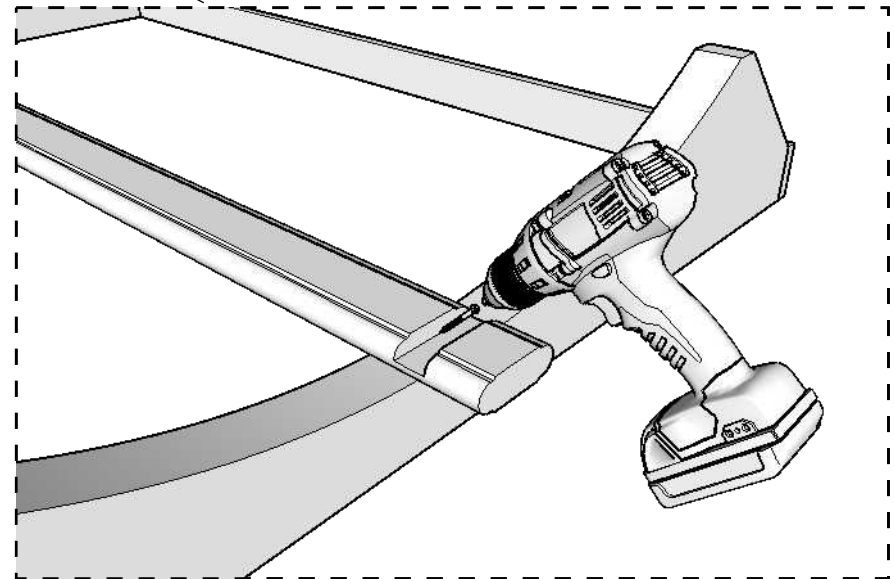
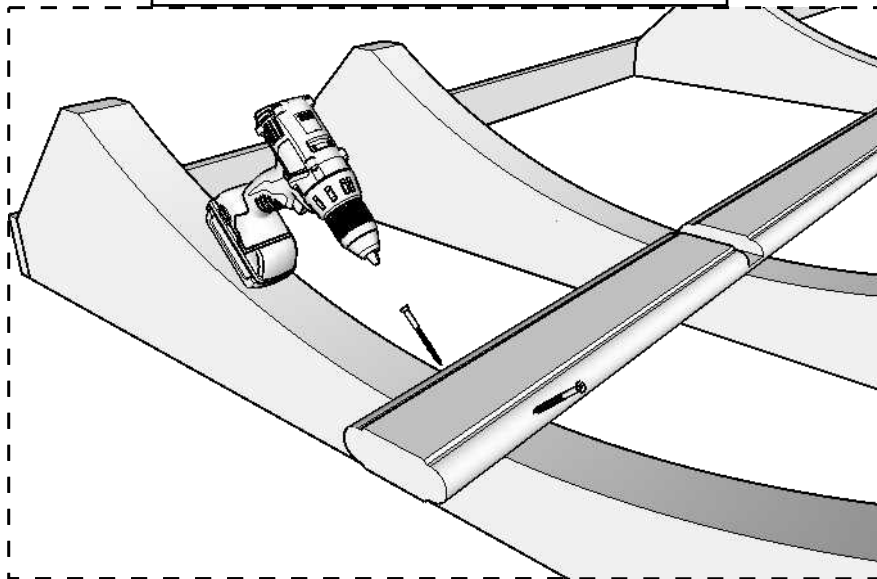
See exact measurements
from Drawing 1

2

mm=mm

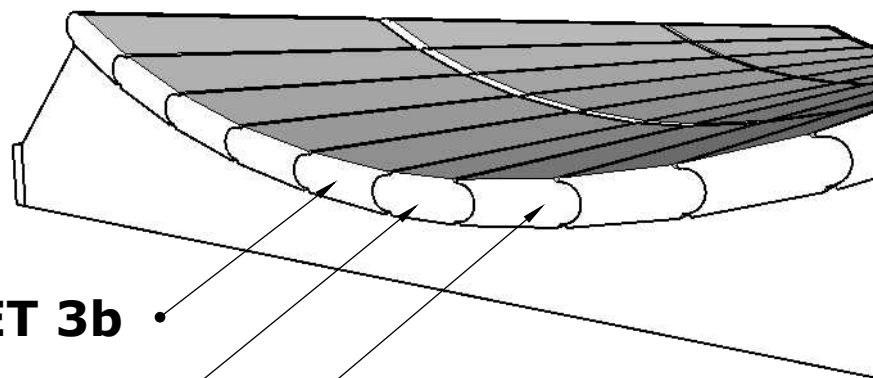


**NB! Install screws so that
the next board will
cover them**



40x 4,5x80

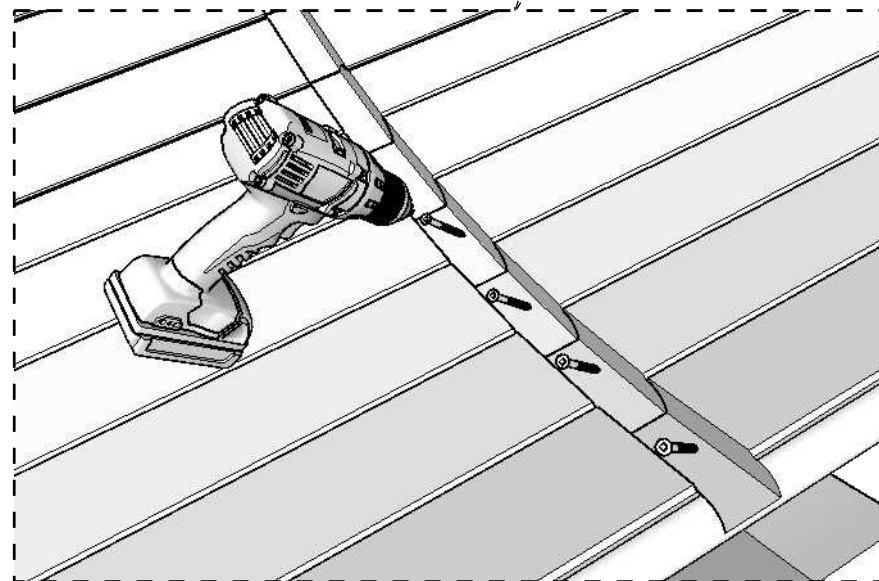
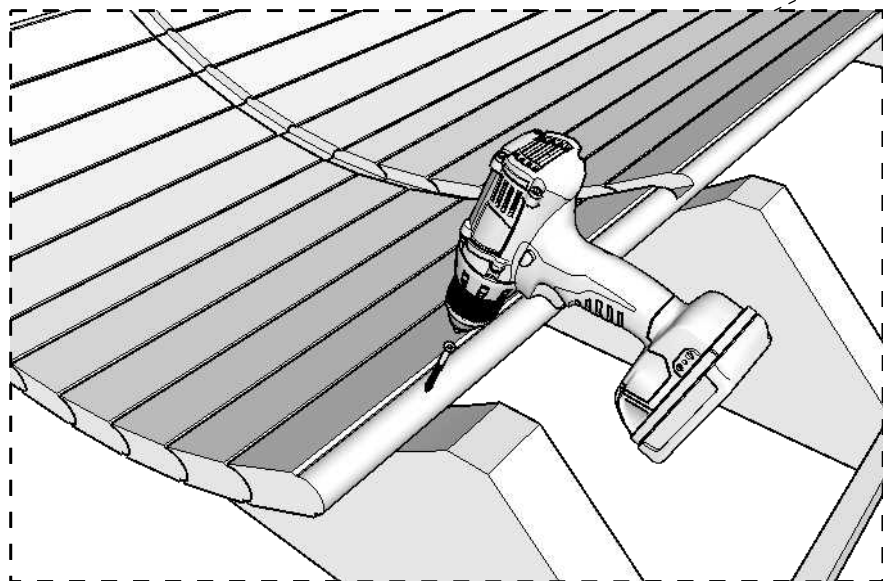
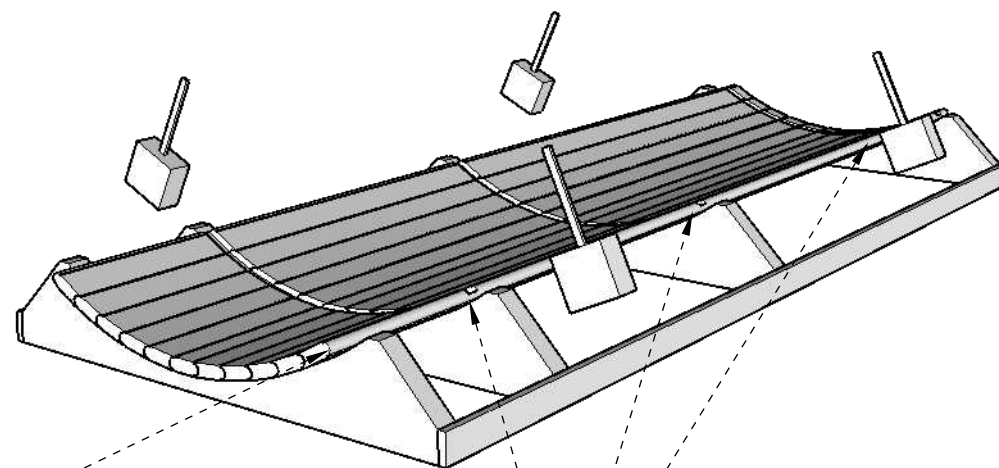
3



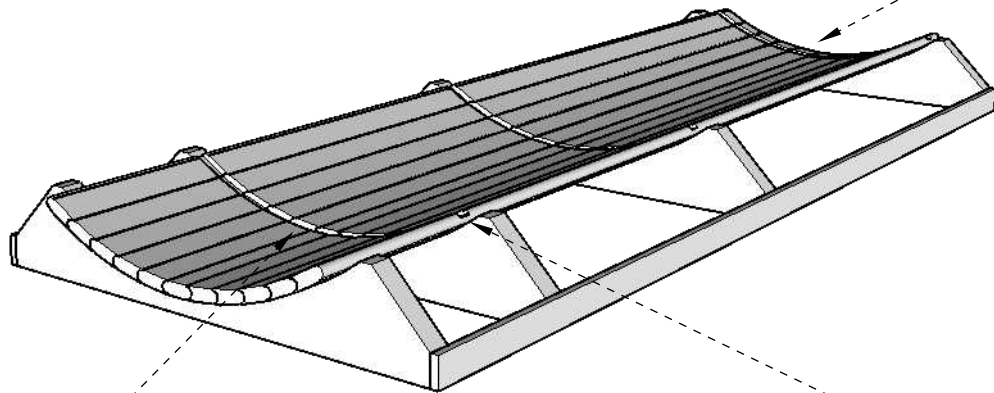
DET 3b

DET 2

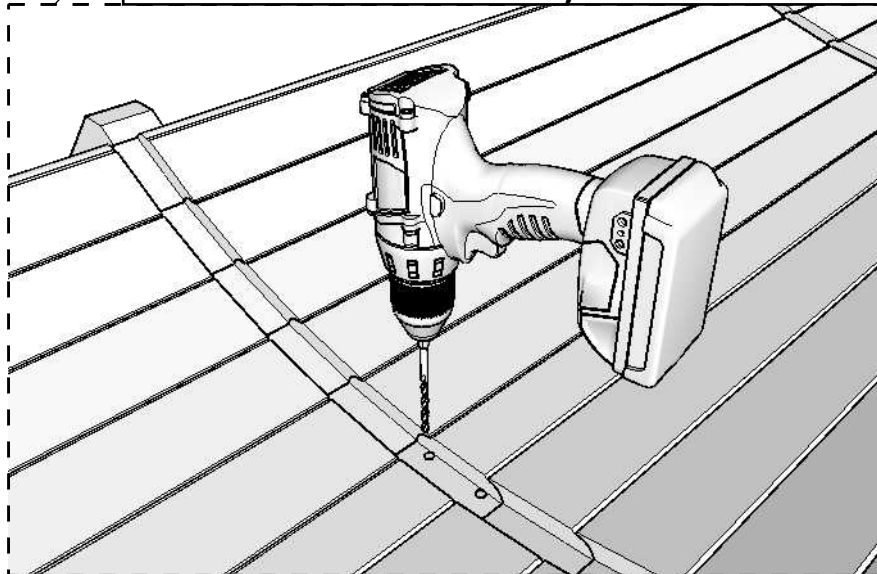
DET 3a



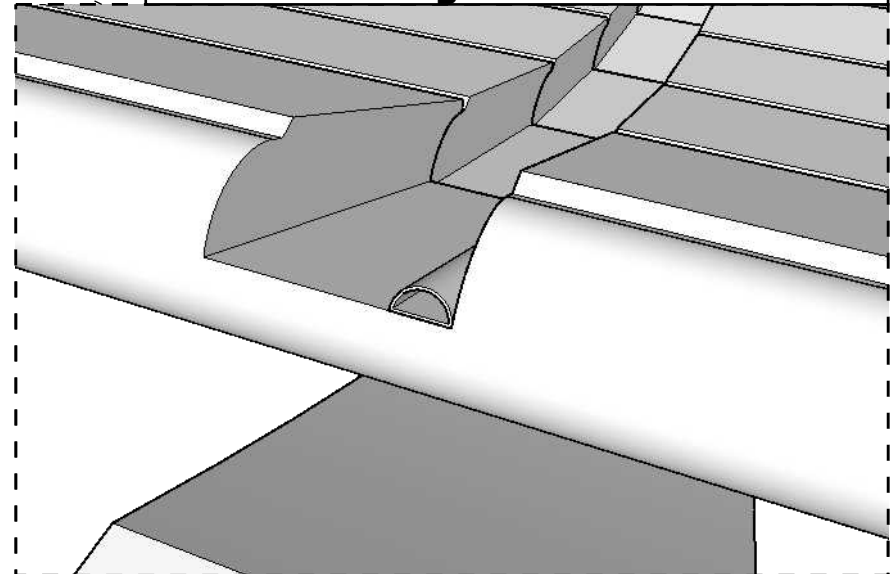
NB! Repeat the process in the back end of the sauna!



Drill 4 holes in DET 2, diam. 10mm



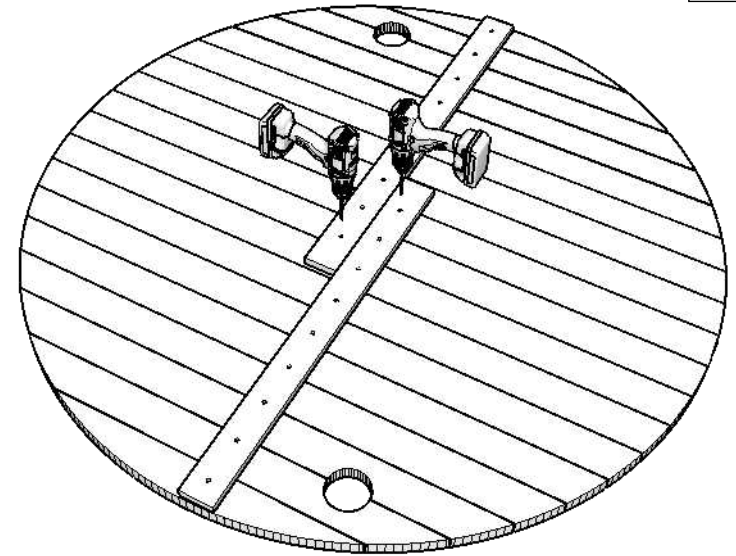
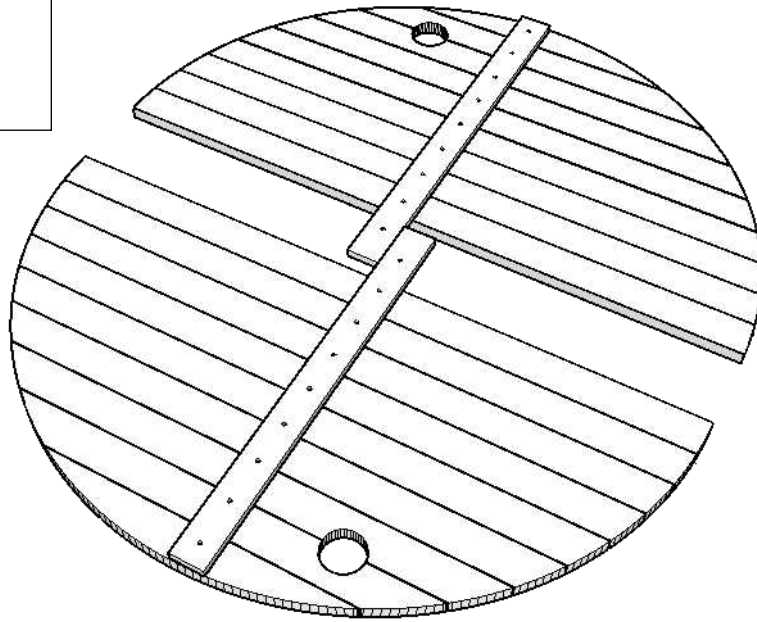
Place DET P against the inside wall



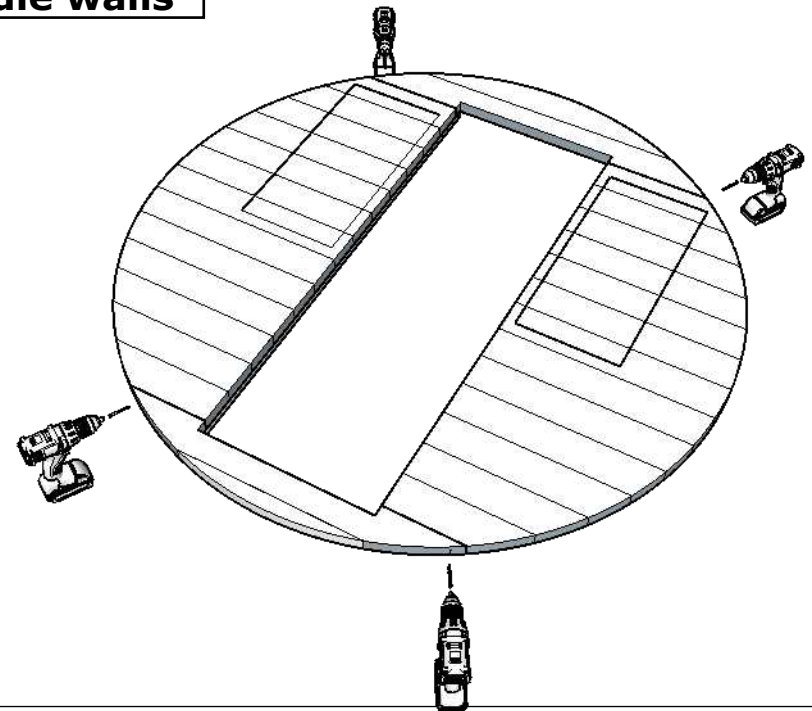
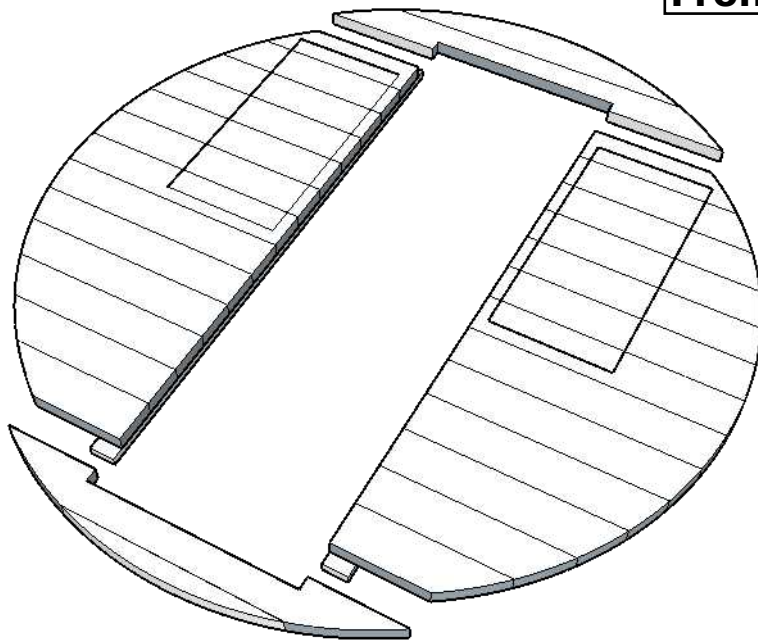
6x 4,5x60

2x 4,5x60

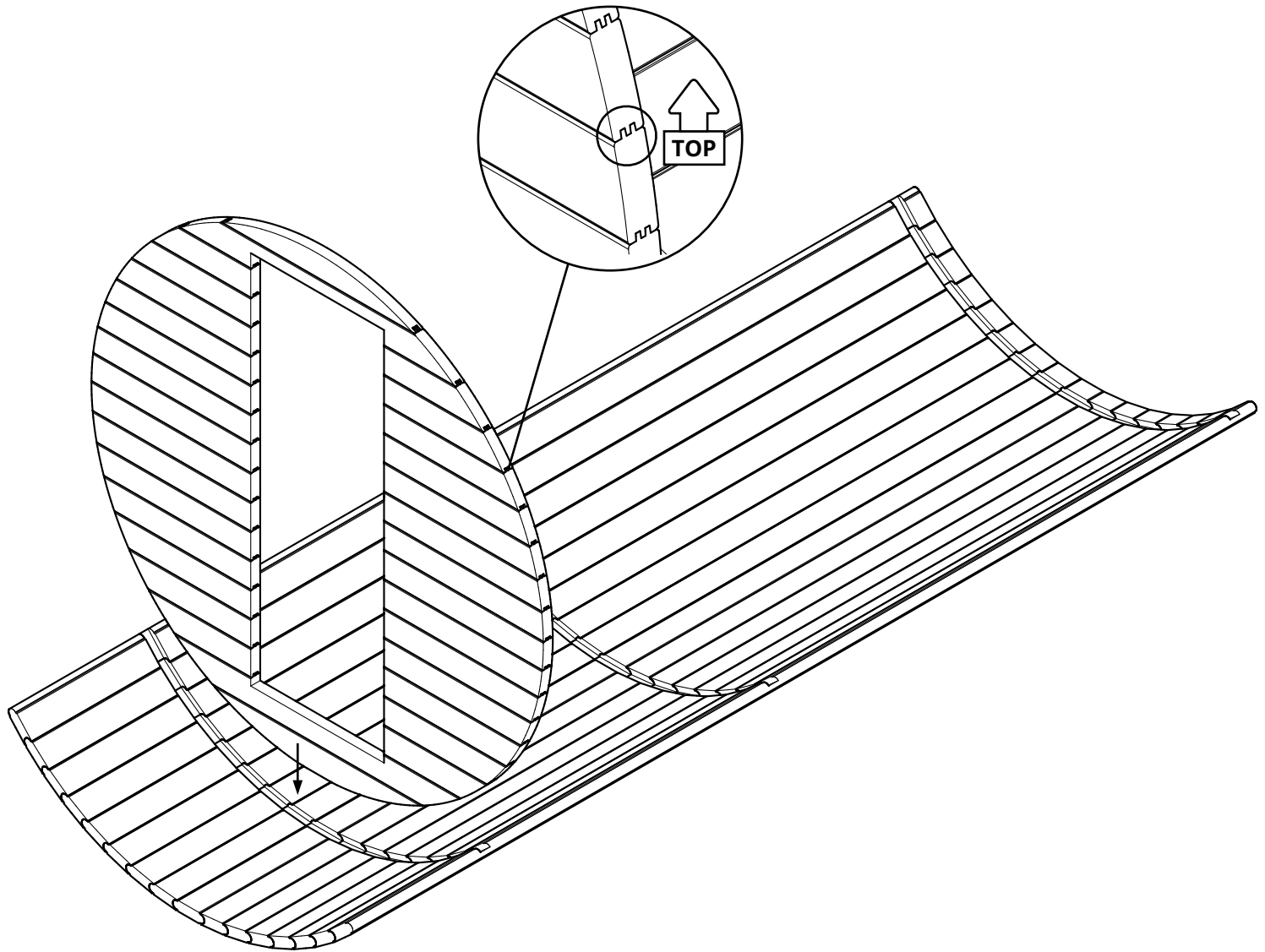
Back wall



Front and middle walls

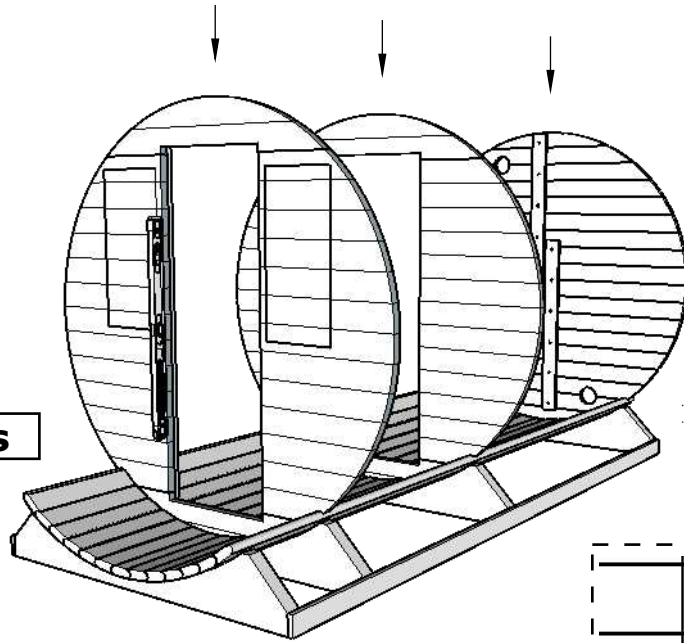


RICHTUNG DER WÄNDE BEACHTEN



4,5x60
(spruce)

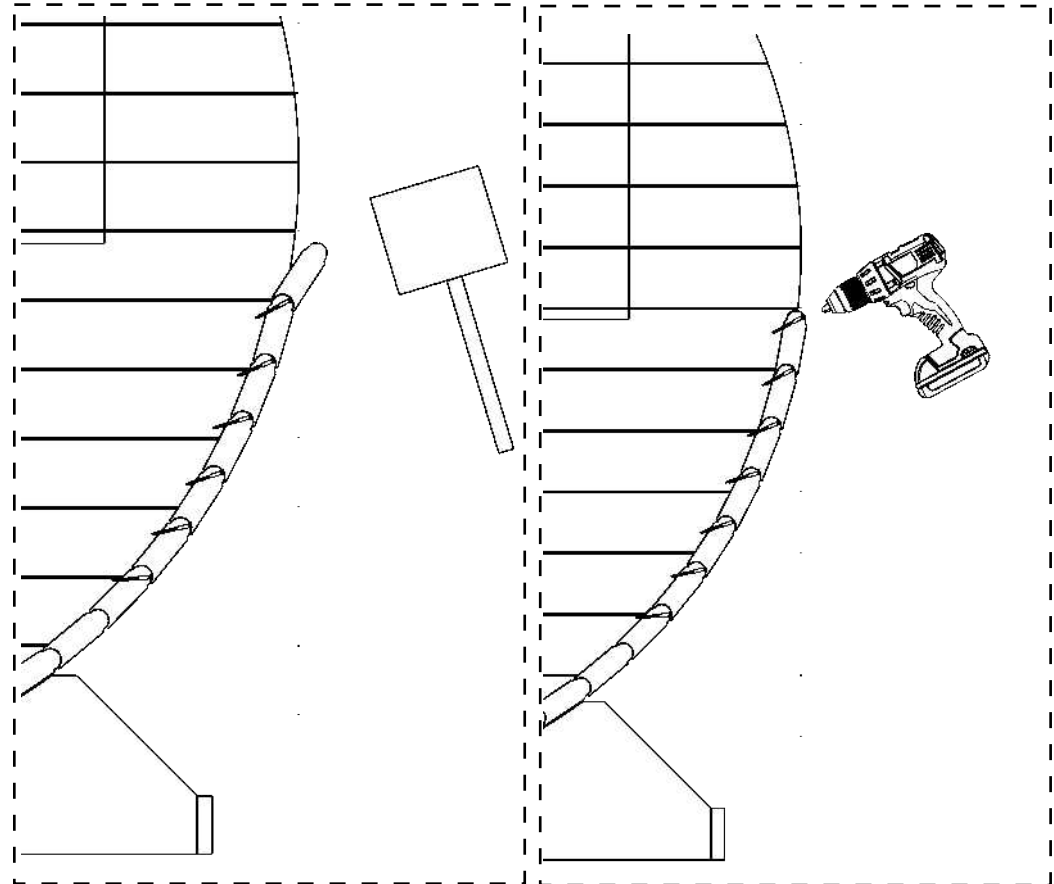
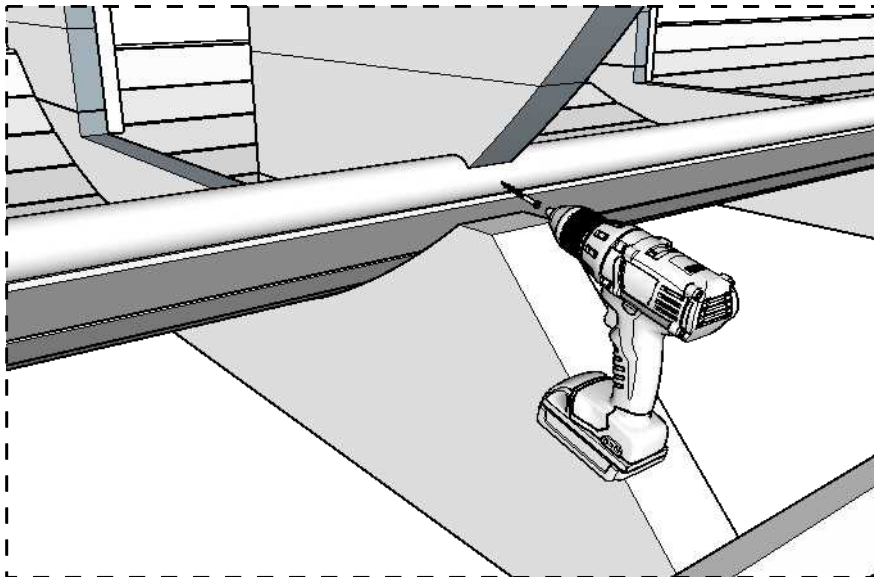
4,5x55
(thermo)

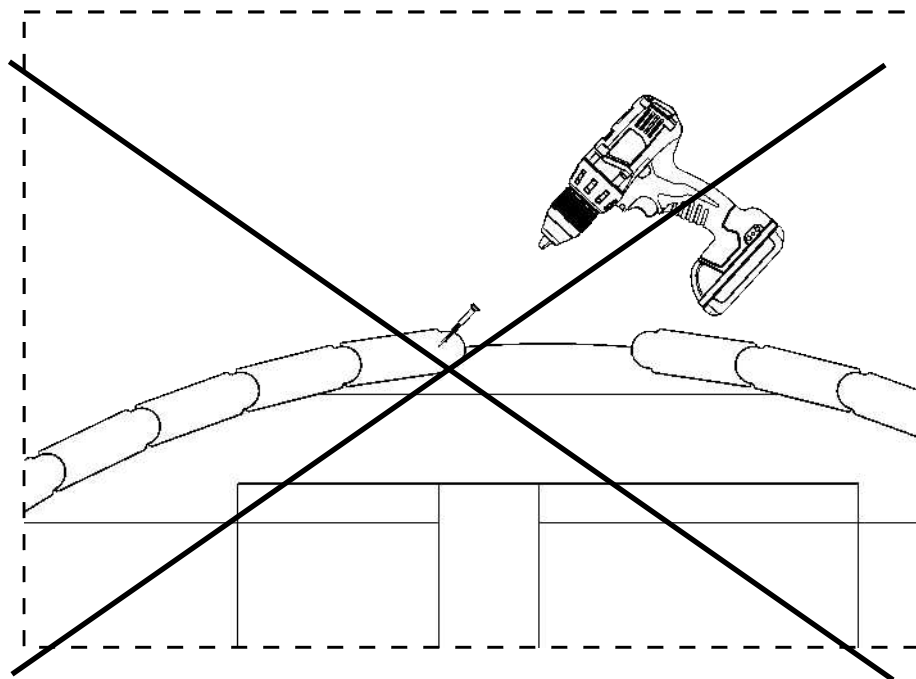
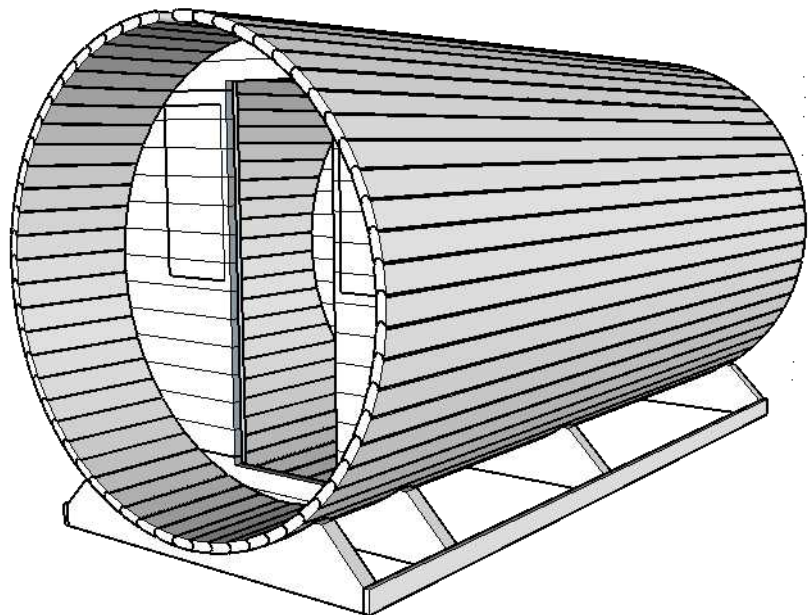
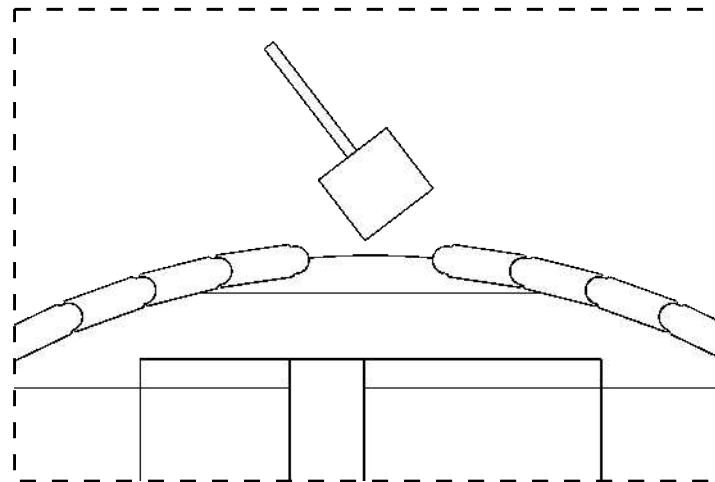
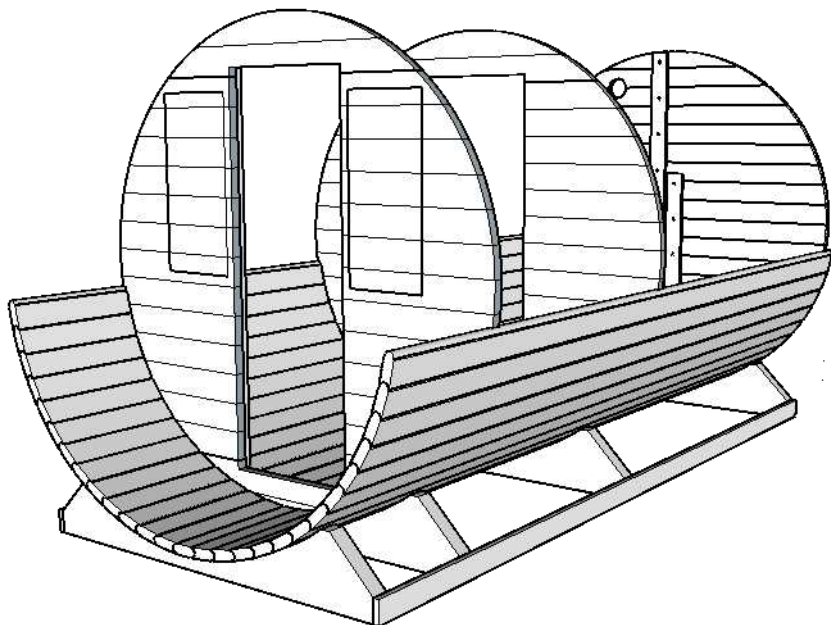


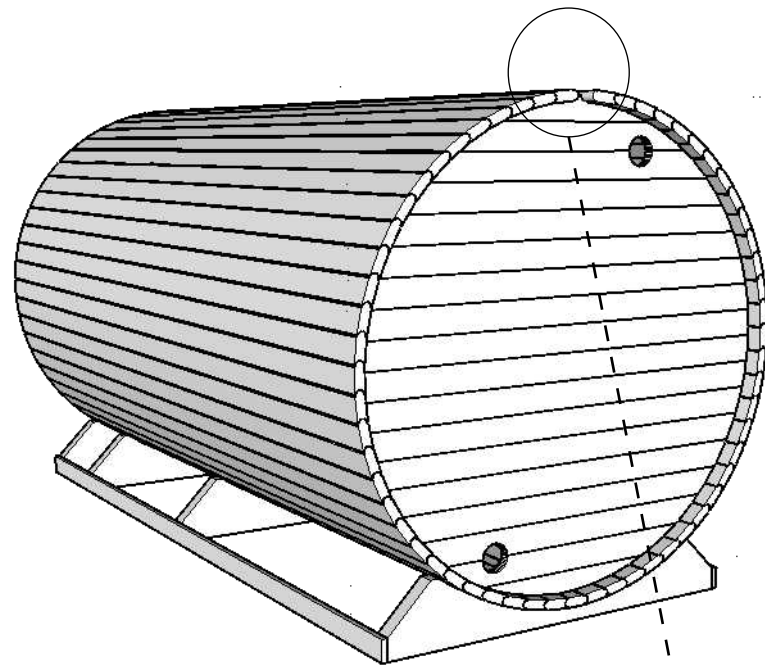
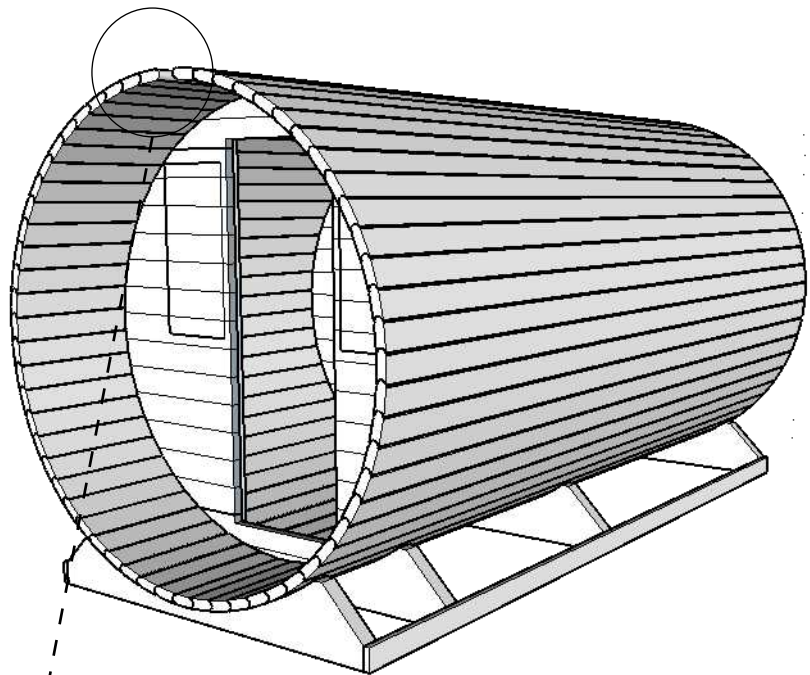
Use level to check walls

NB! Install screws so that the next board will cover them

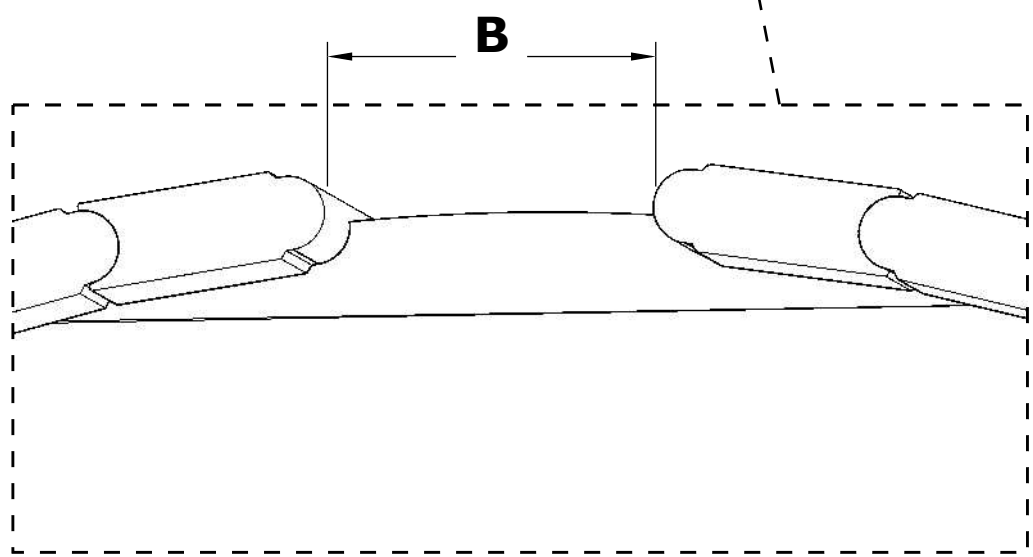
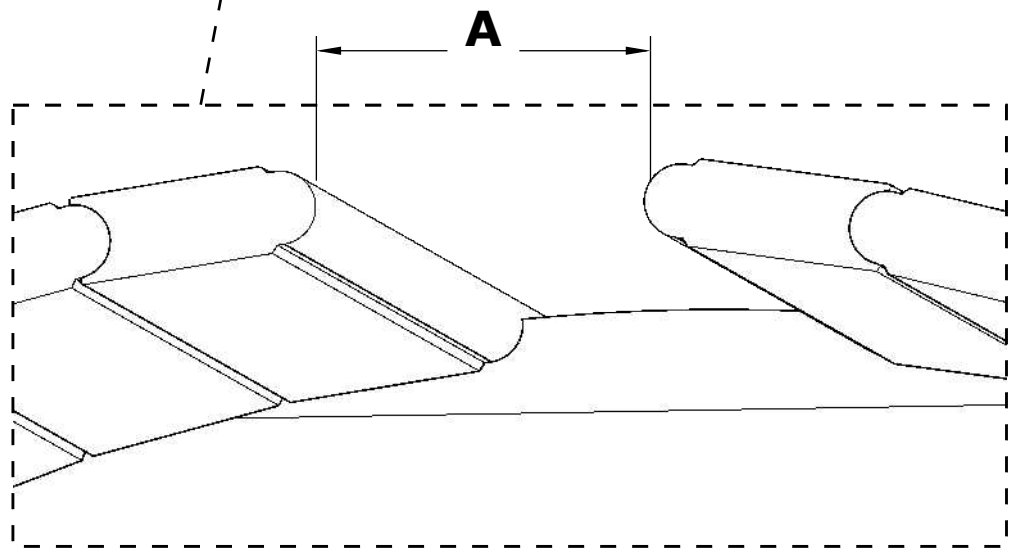
Repeat in all six corners



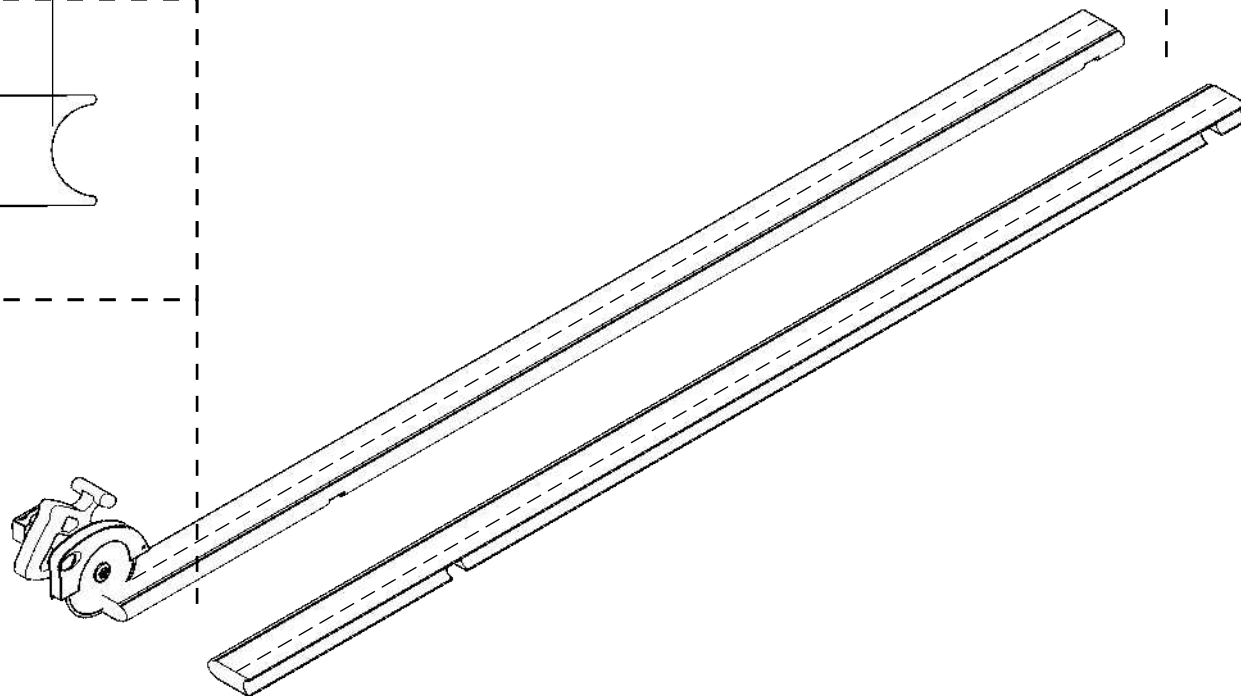
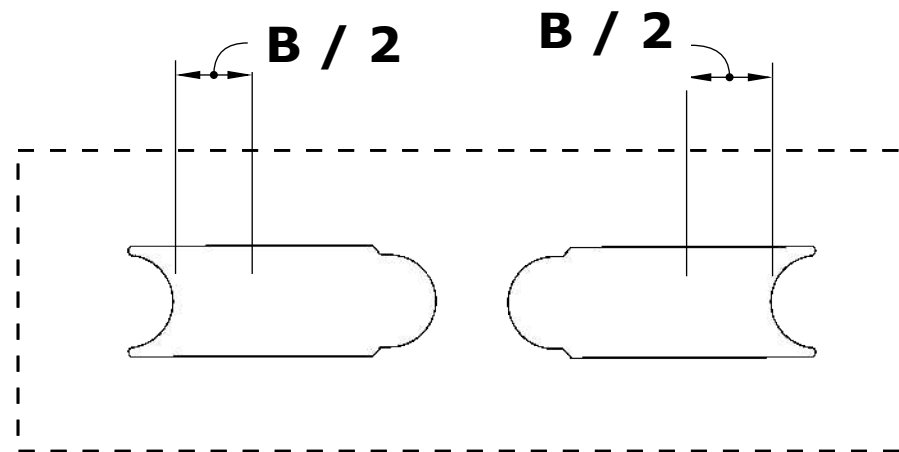
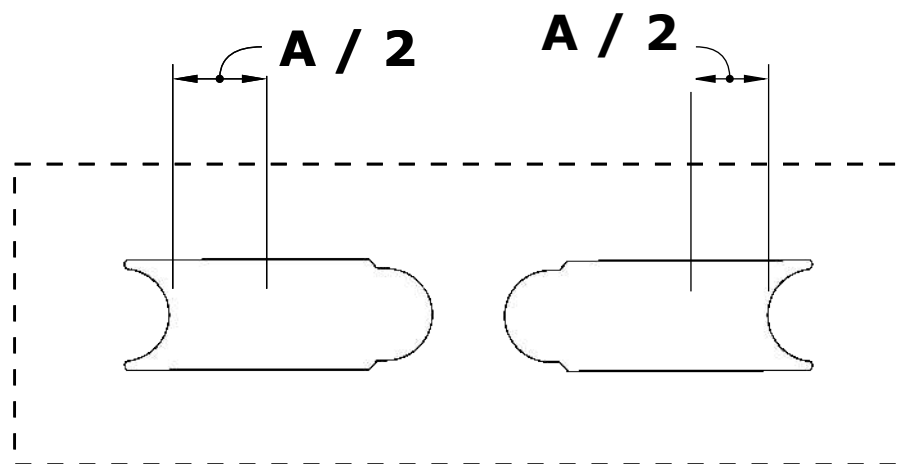




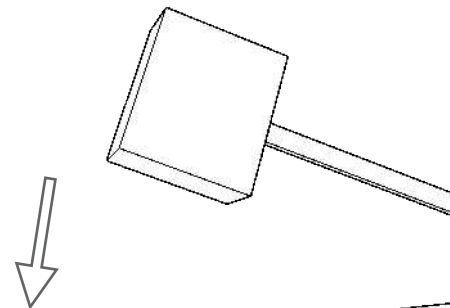
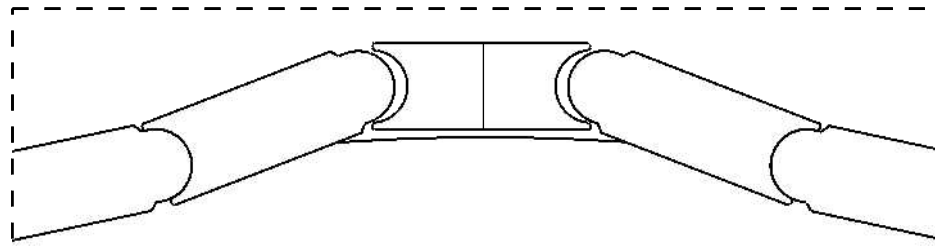
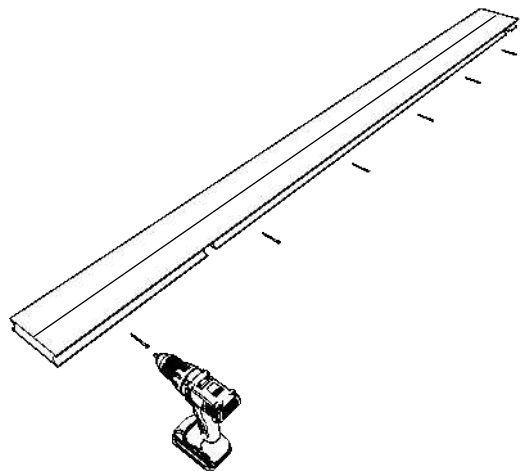
Measure both ends, since they might differ



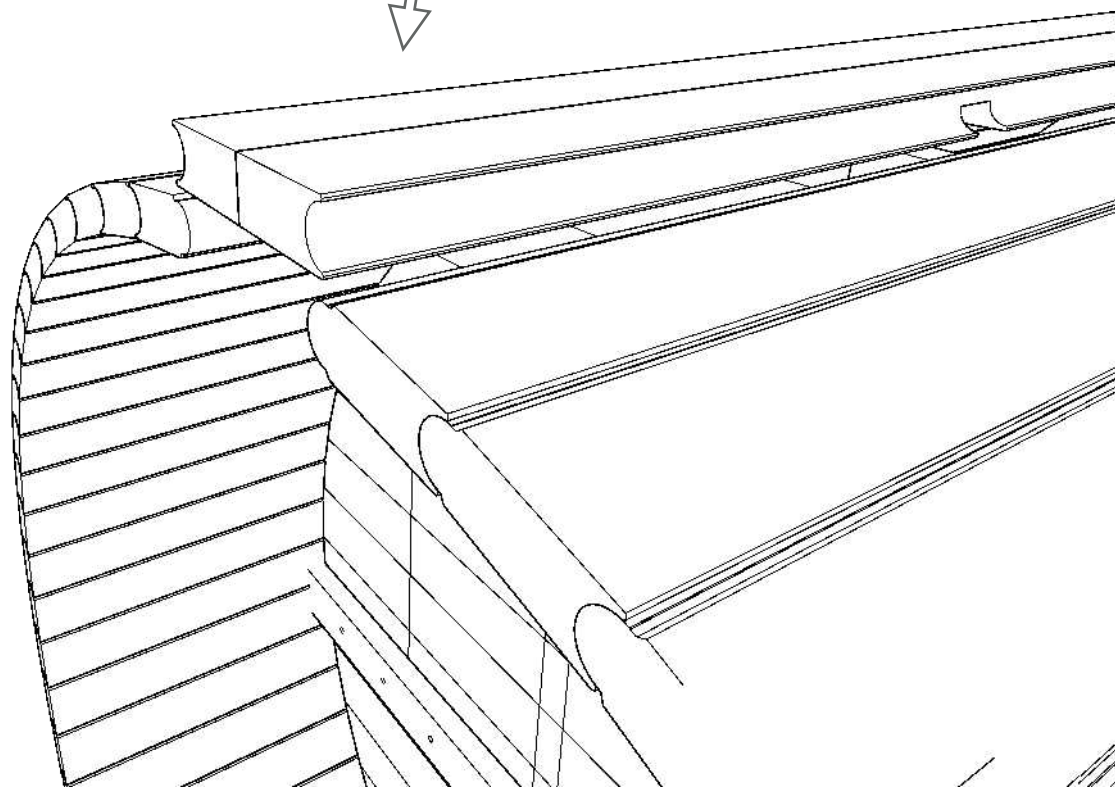
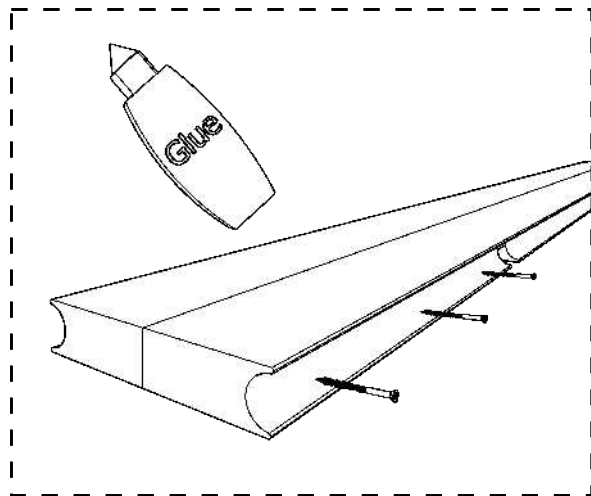
**NB! Connect the points A-A
and B-B before cutting**

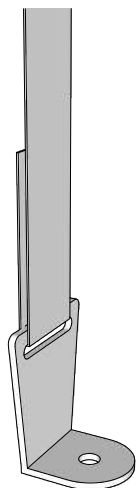


8x 3x30
...
4,5x90

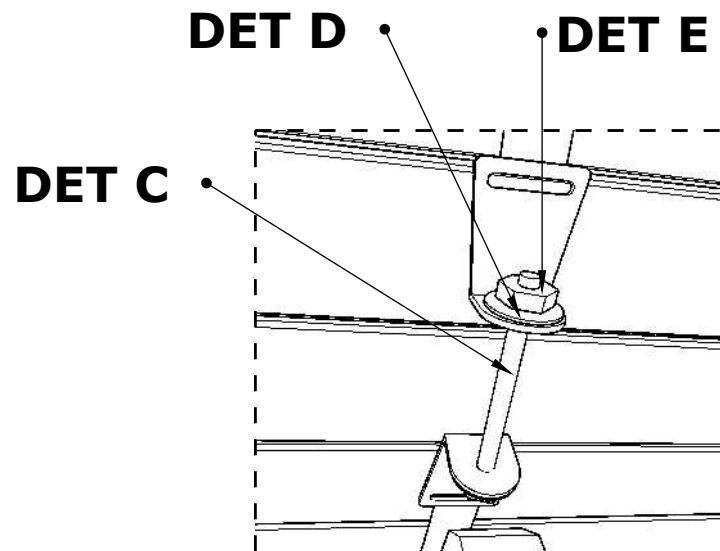
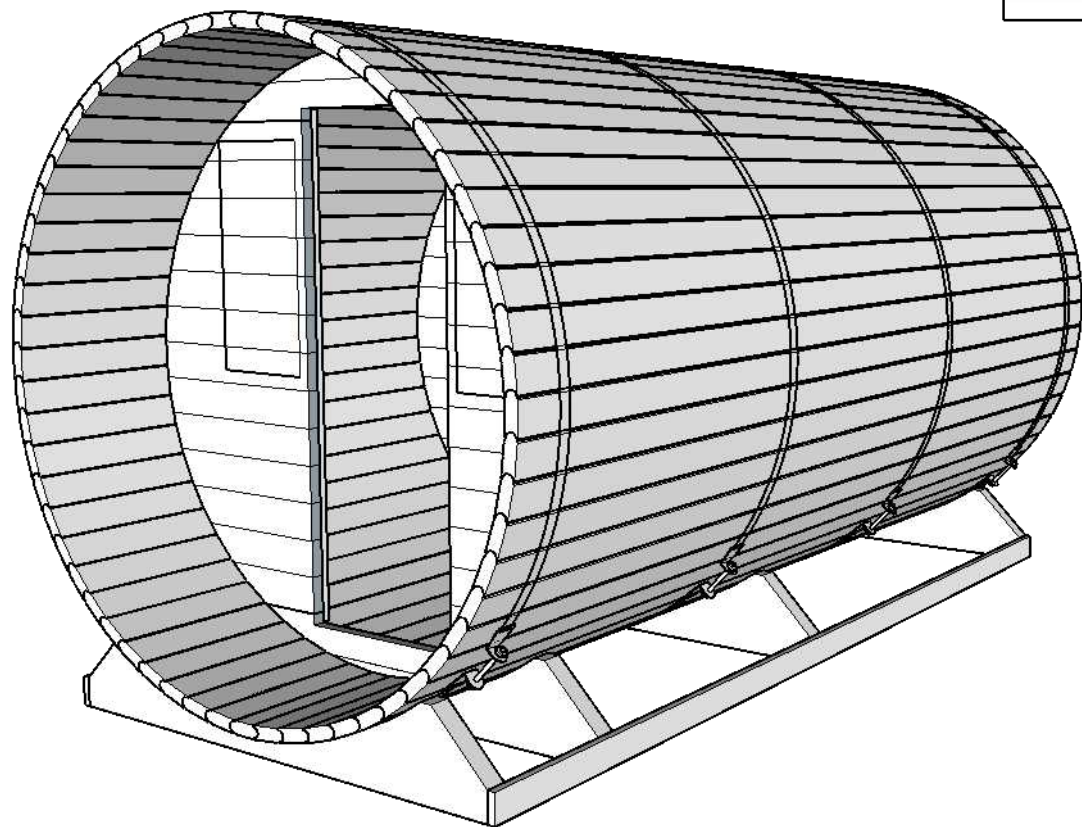
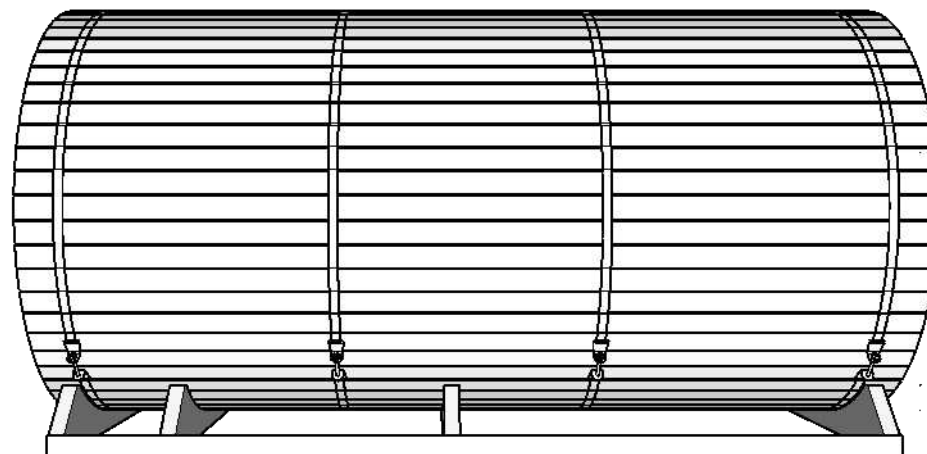


NB! Use PVA glue between the two details

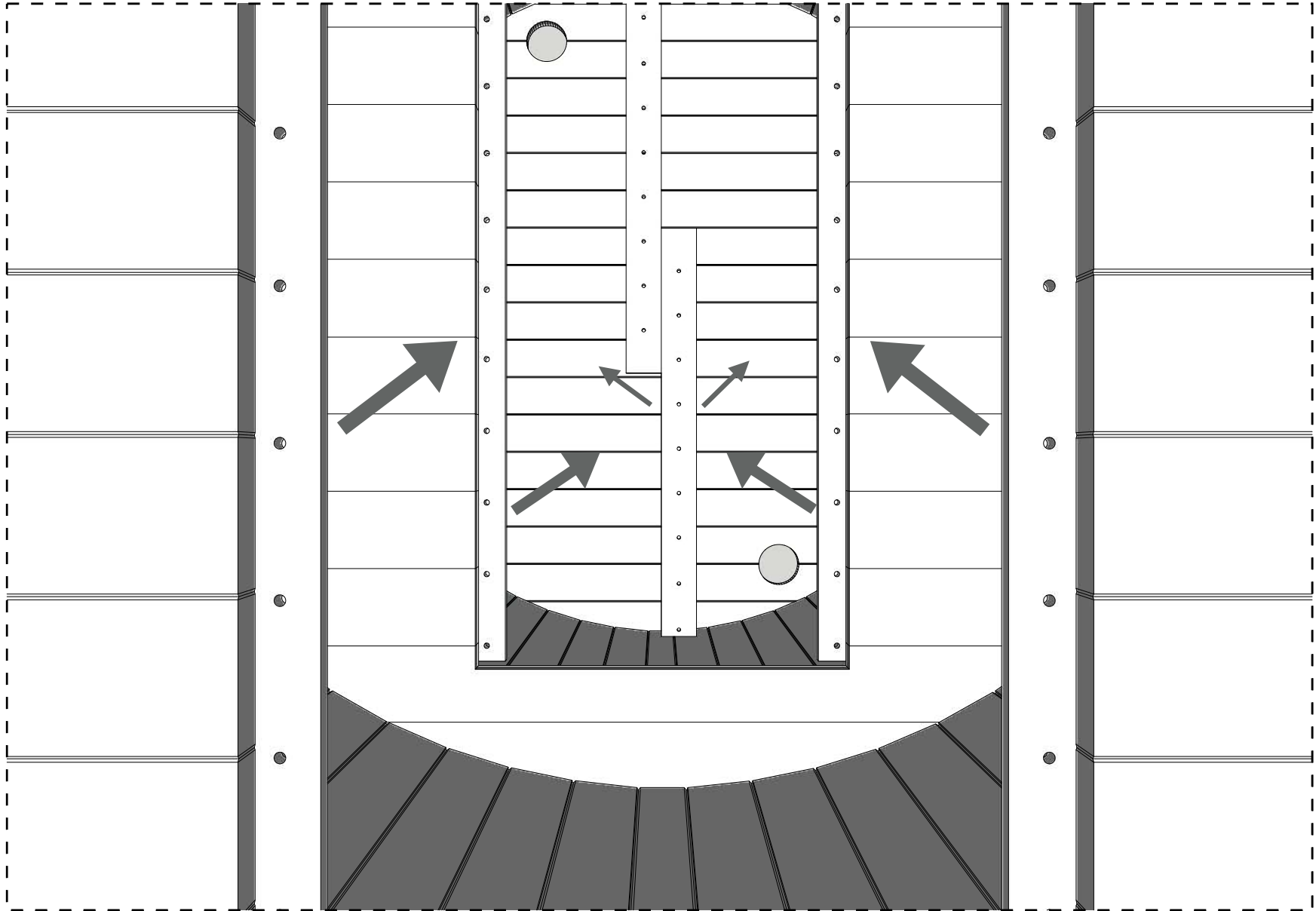




170mm Z=Z Z=Z Z=Z 170mm

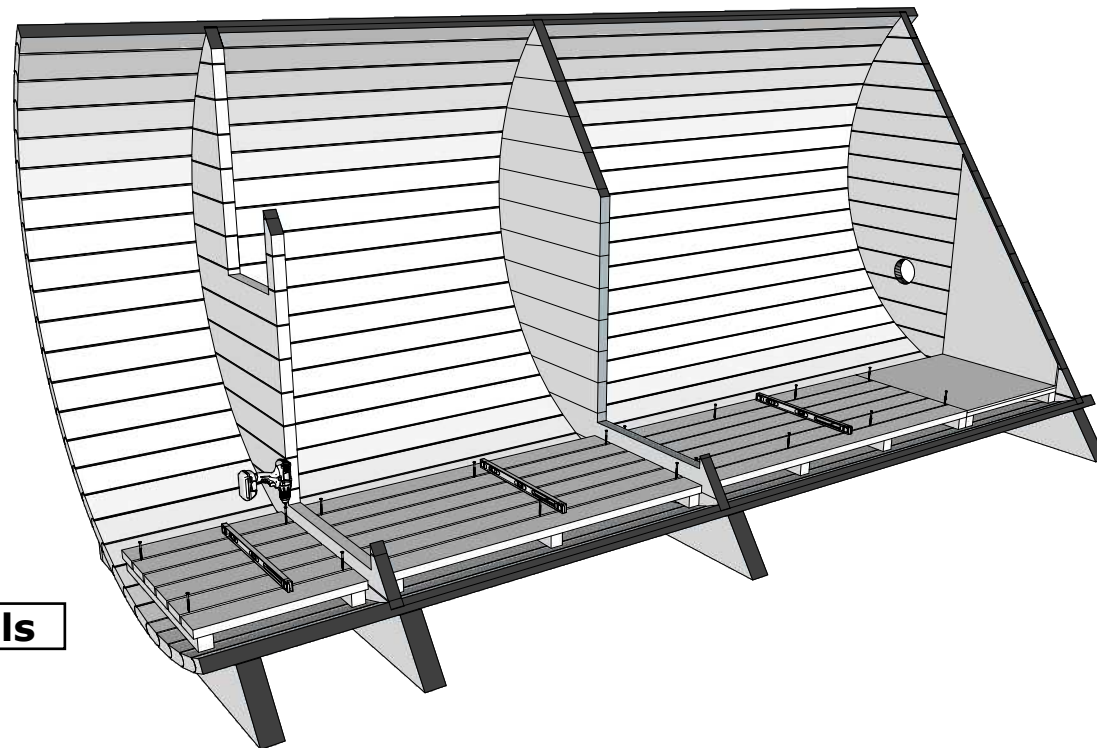


Remove brackets from both rooms

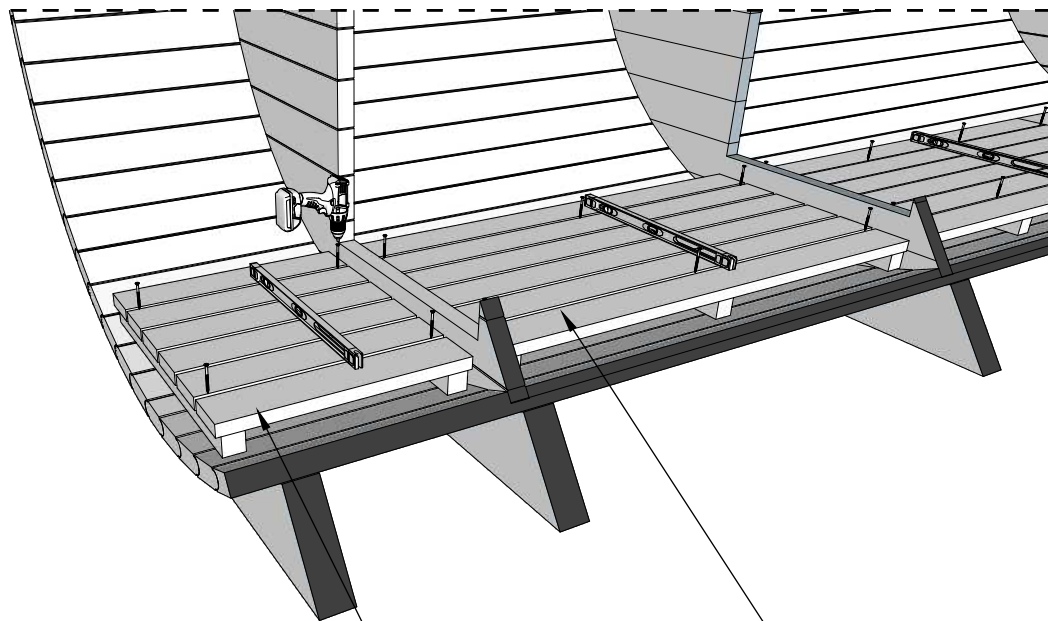


20x 4,5x80

13

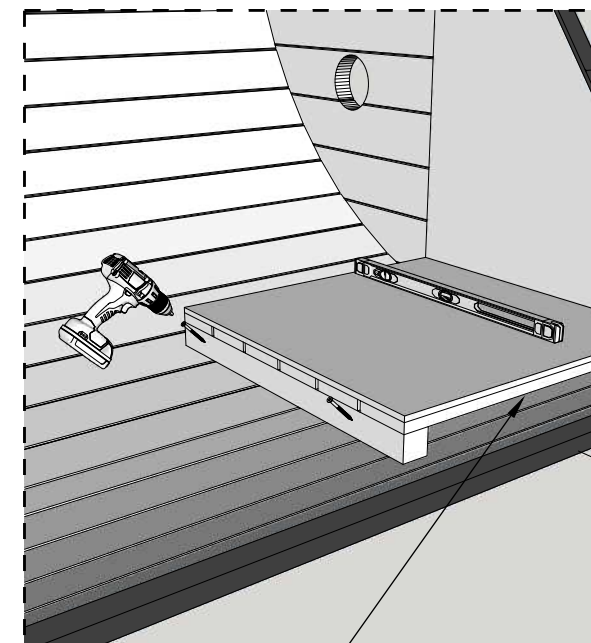


NB! Use level to install details



• **DET 17**

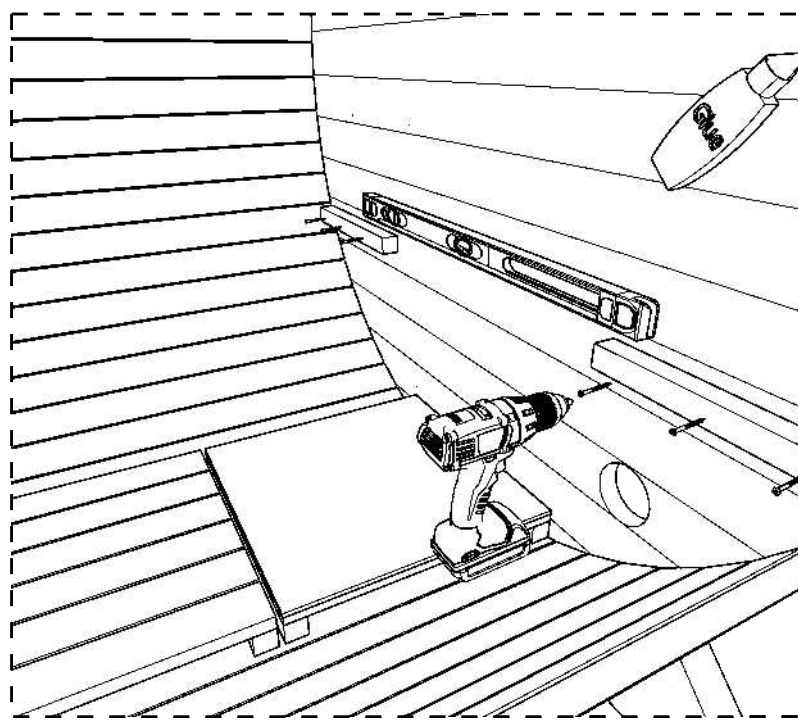
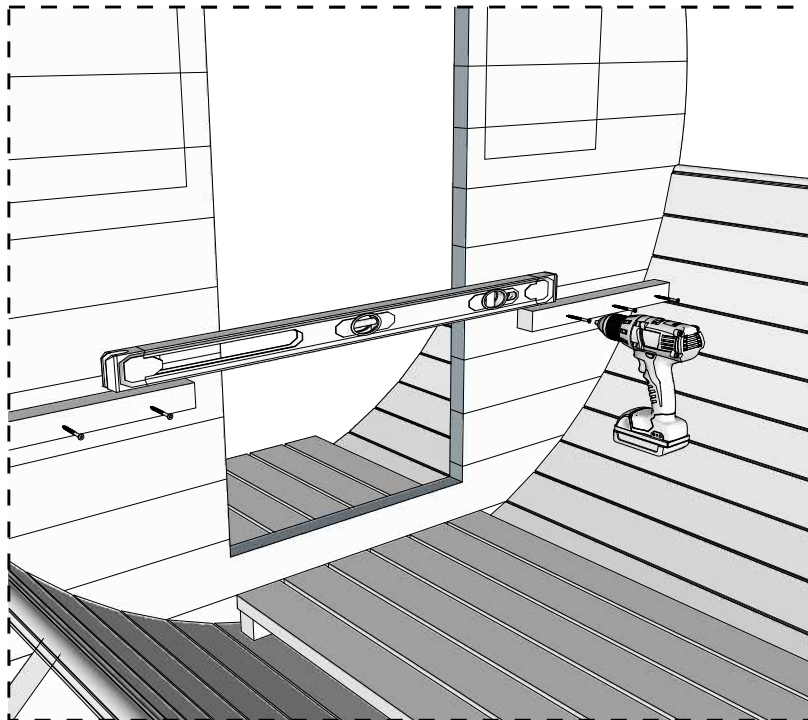
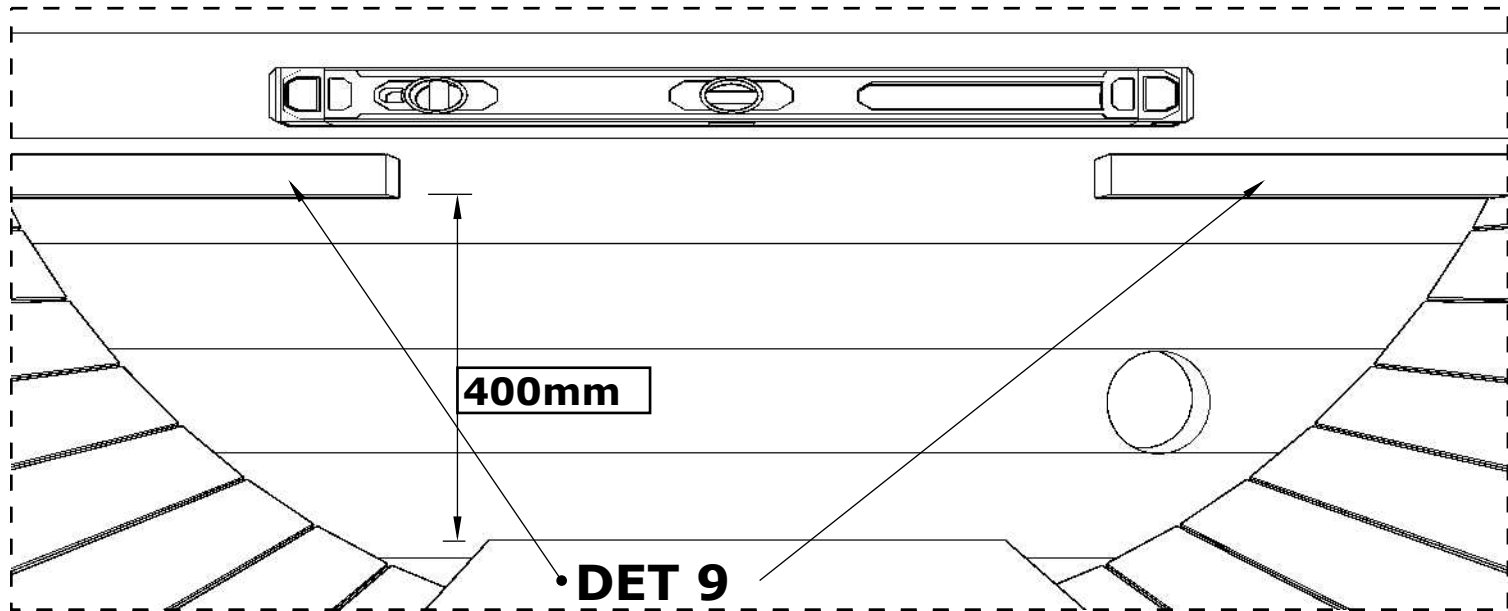
• **DET 14**



• **DET 12**

12x 4,5x80

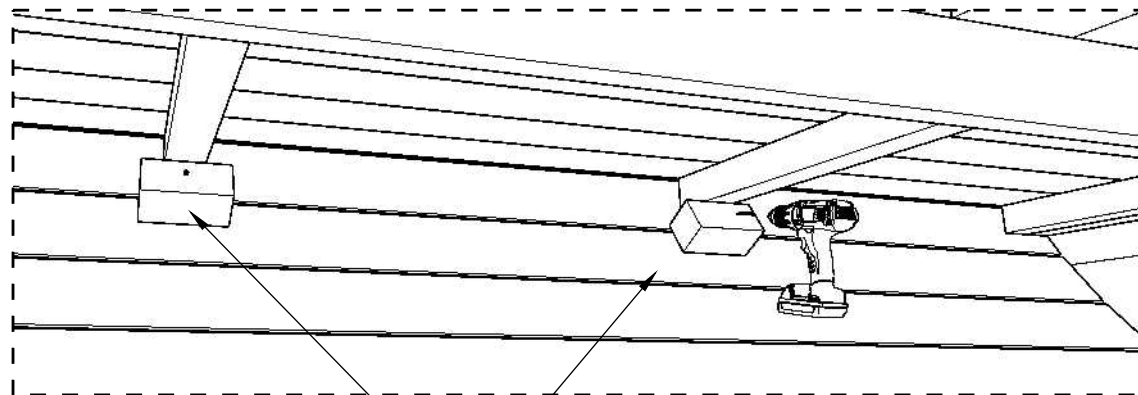
NB! Use level to install details



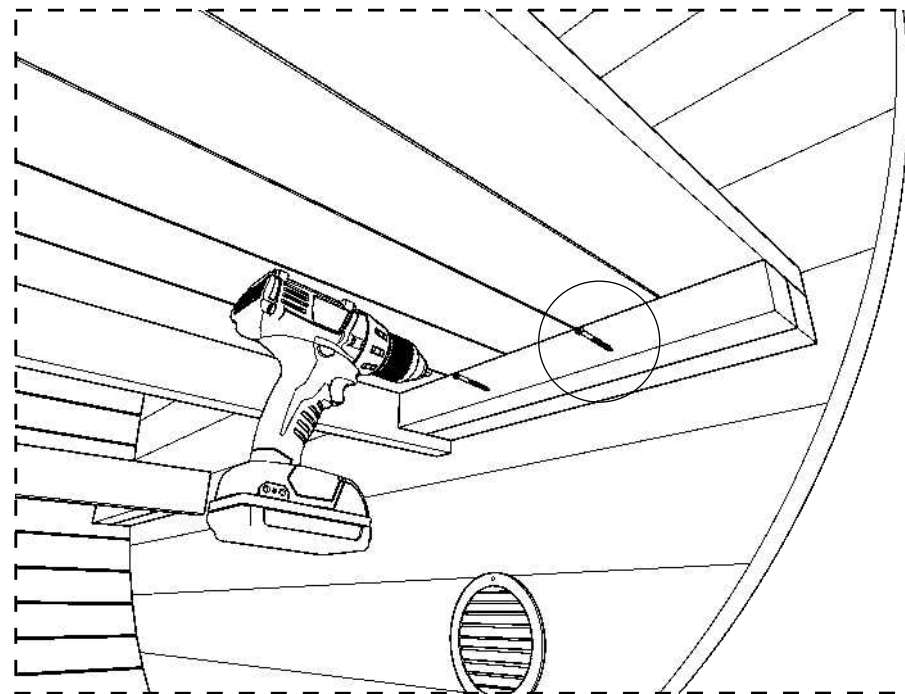
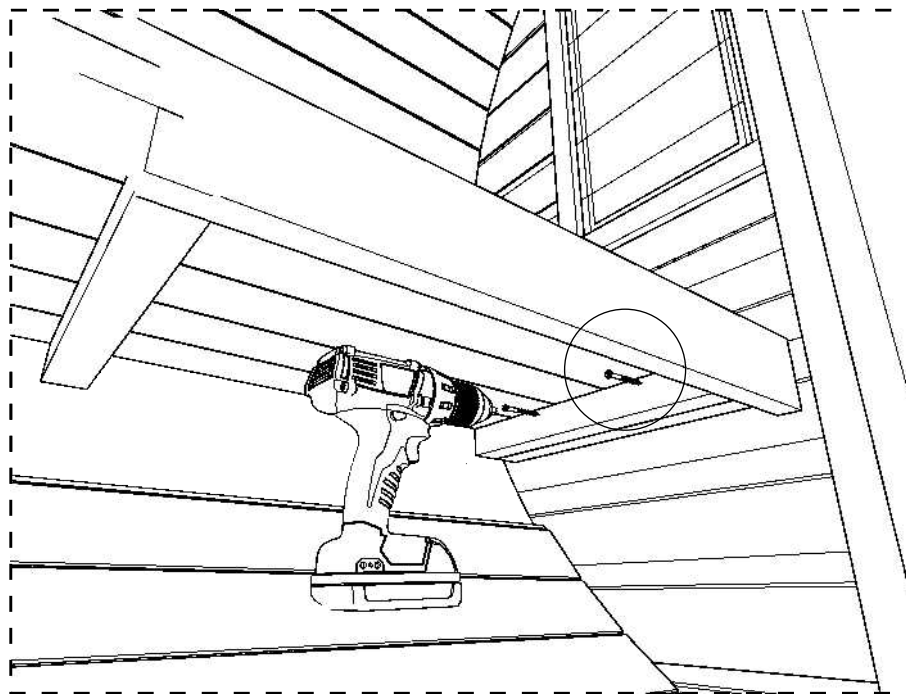
Use glue between supporting beam and wall

12x 4,5x80

**NB! Drill a 4mm
hole before
fixing DET 11
with a screw**



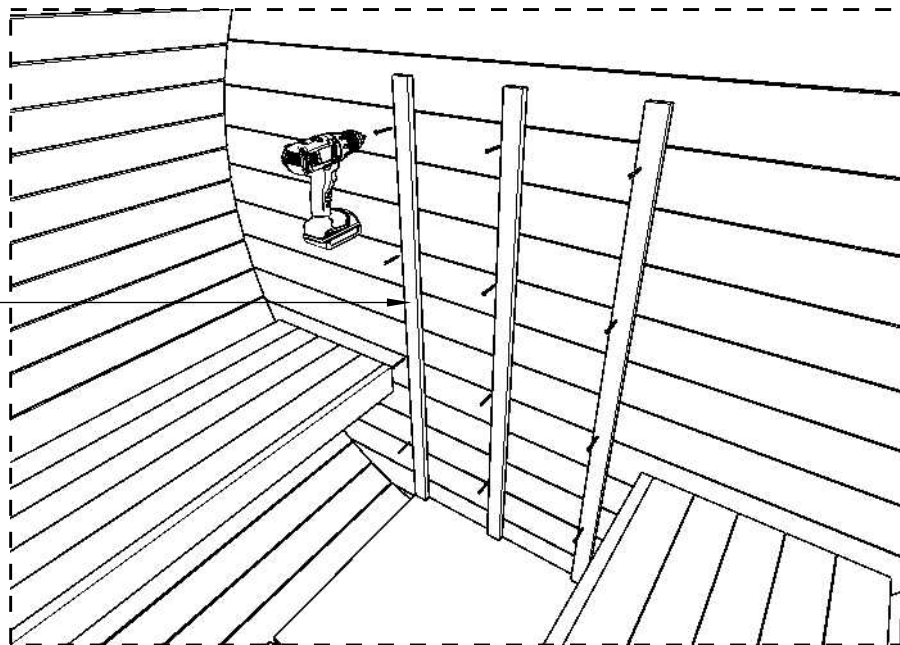
• **DET 11**



12x 3x40

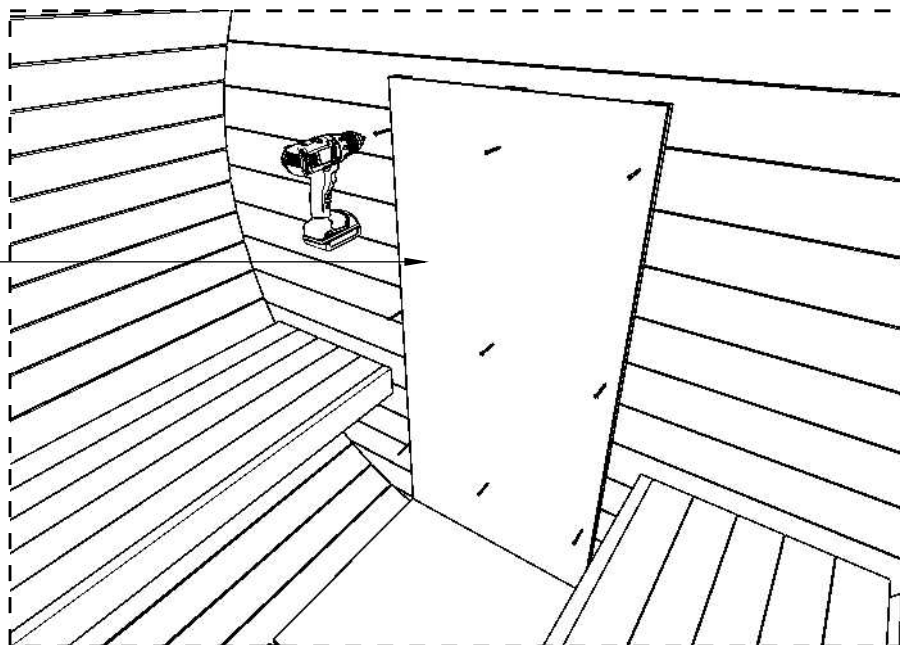
9x 4,2x55

DET L



NB! Electrical heaters do not require DET L. Mount DET 13 directly to the wall using 3x40 screws in case of the electrical heater

DET 13



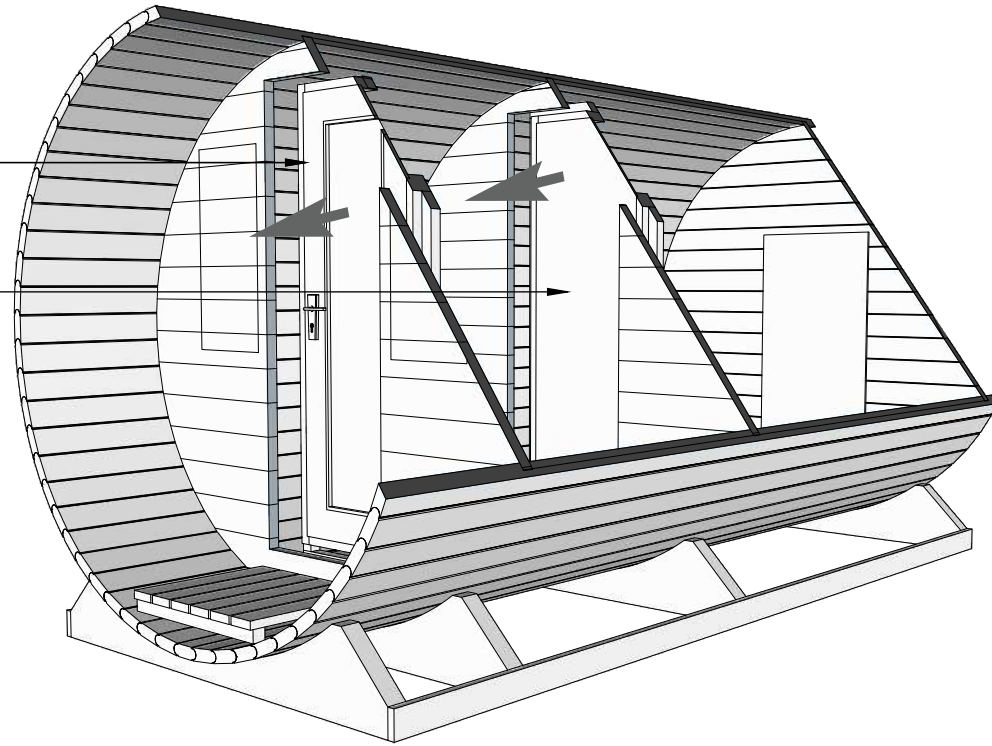
64x 4,5x80

14x 3x40

DET 7a

DET 7c

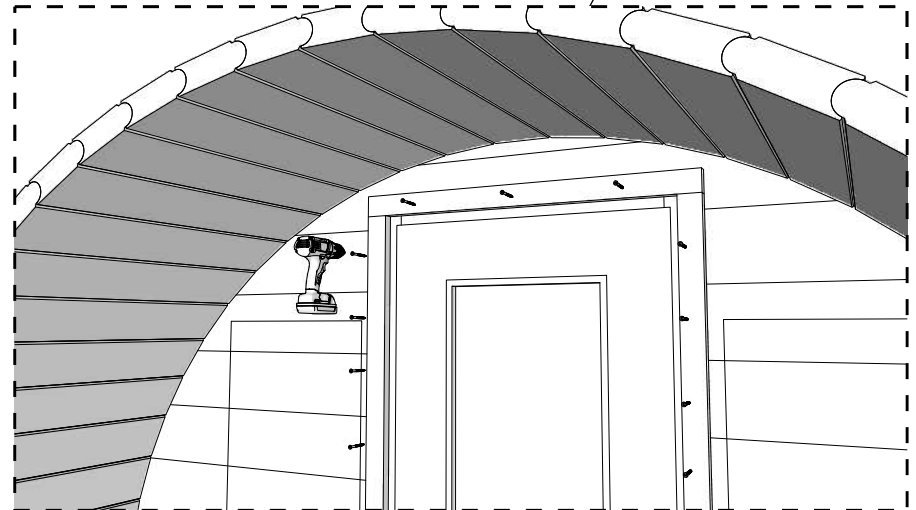
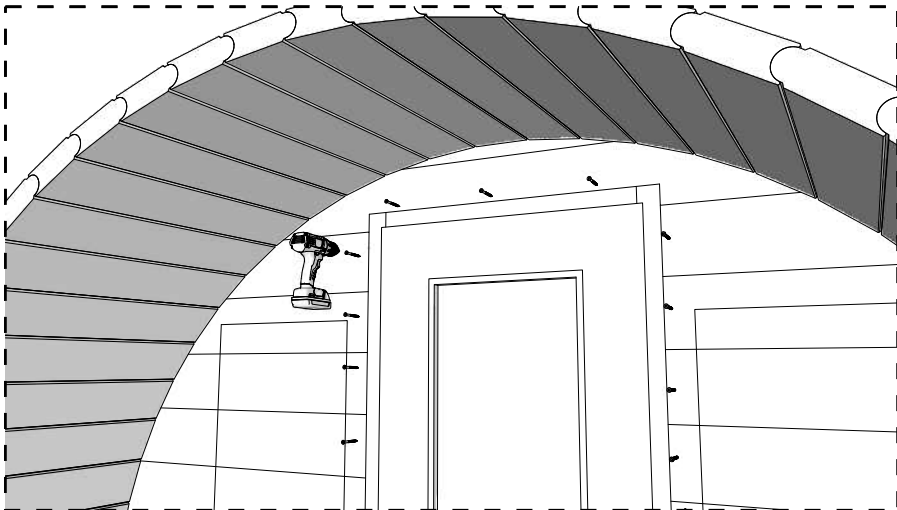
Install both doors from the inside



NB! Fix a screw in every board

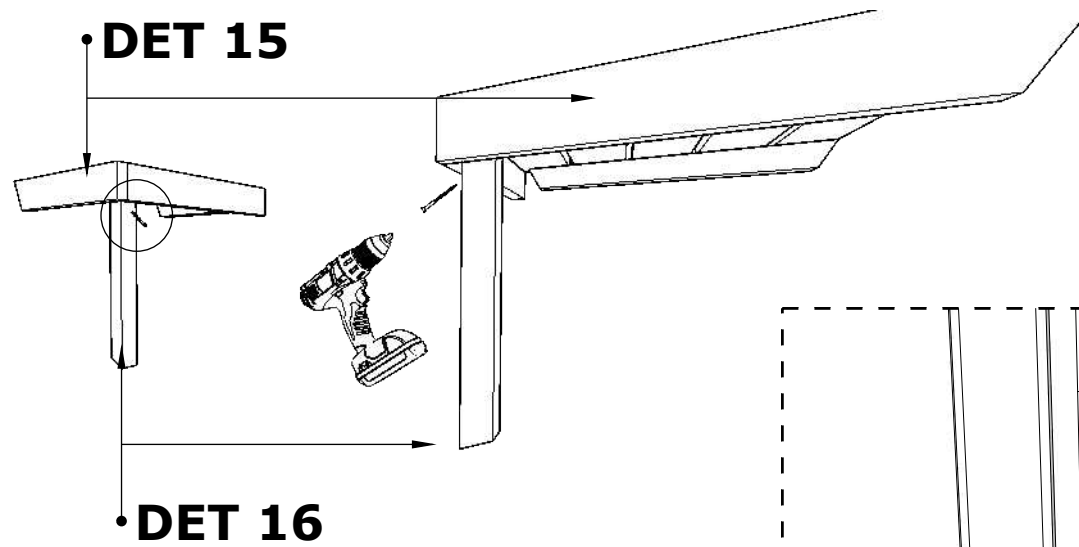
Install DET 7b

DET 7b

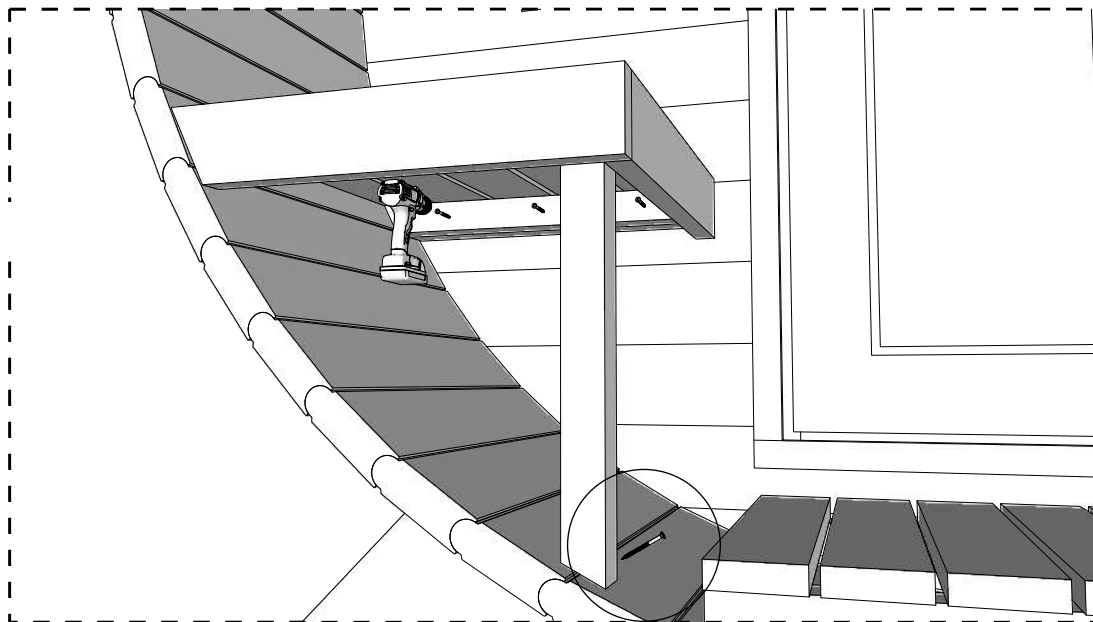
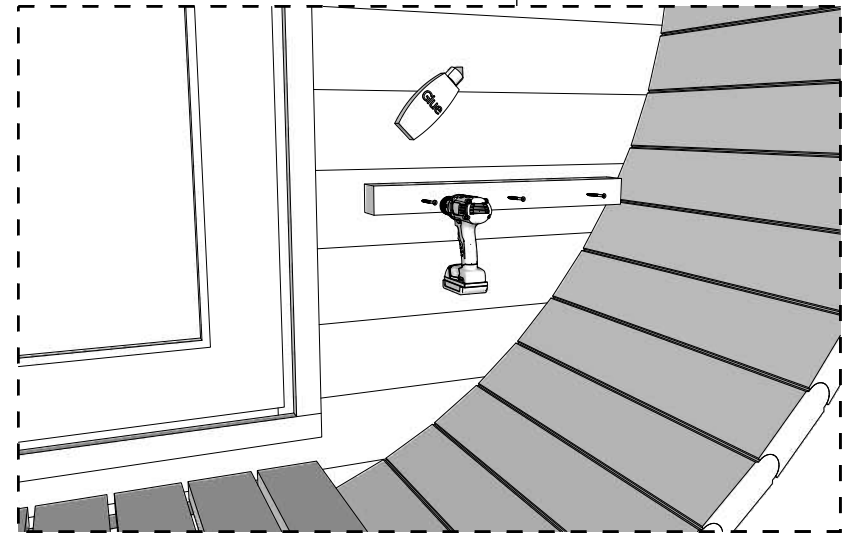


14x 4,5x80

18



• **DET 9**



**Use glue between
supporting beam
and wall**

2x 4,5x80

NB! Drill a 4mm hole before fixing DET 11 with a screw

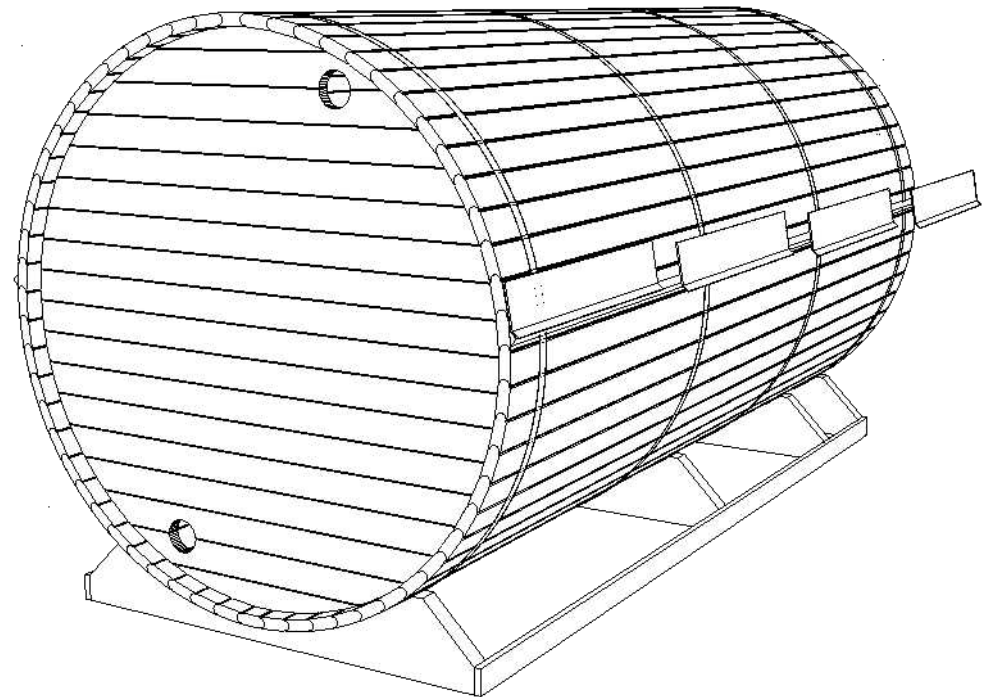
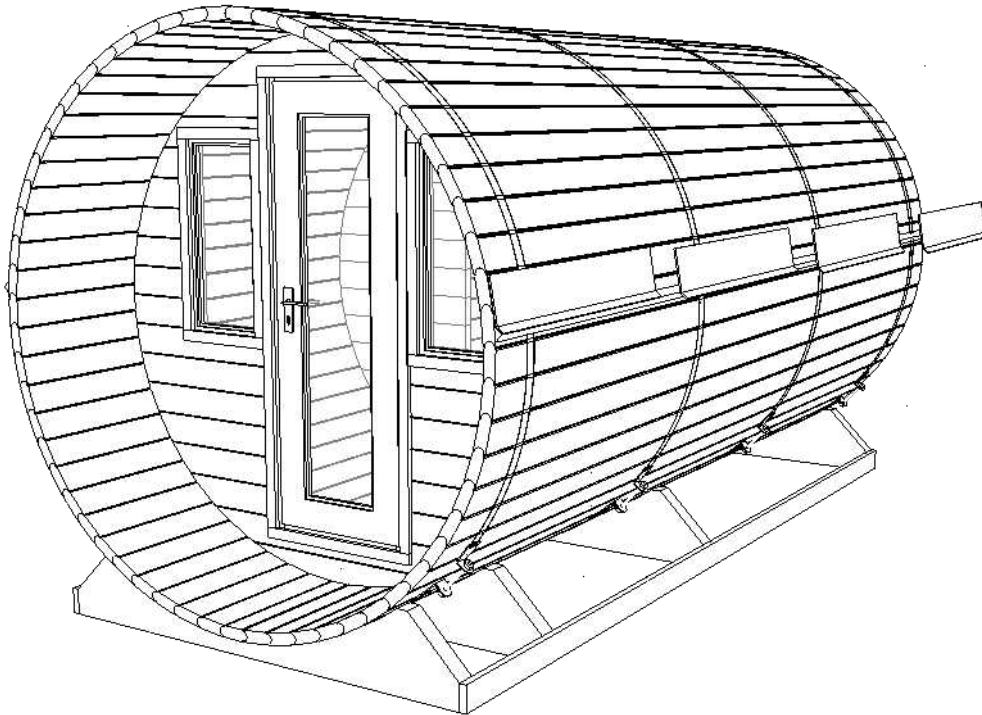
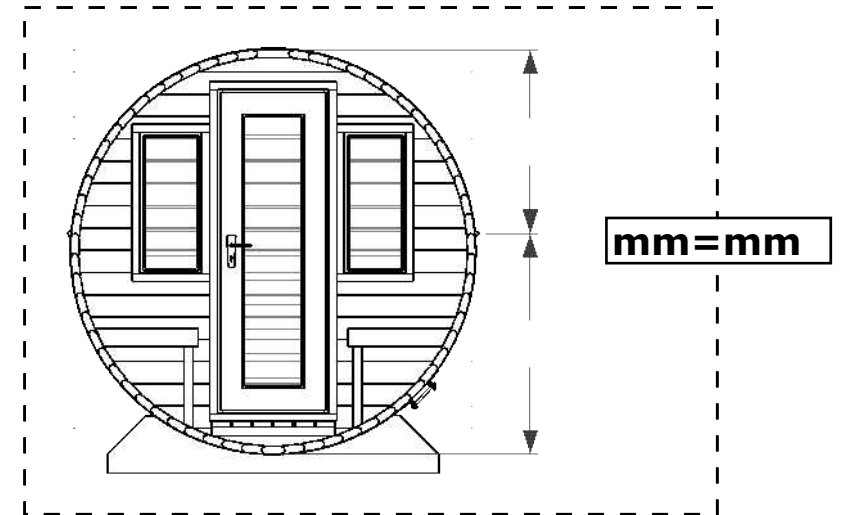
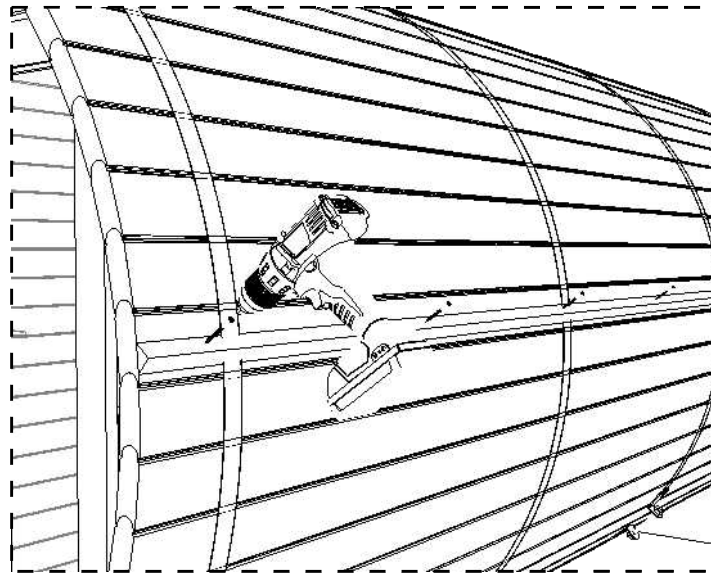


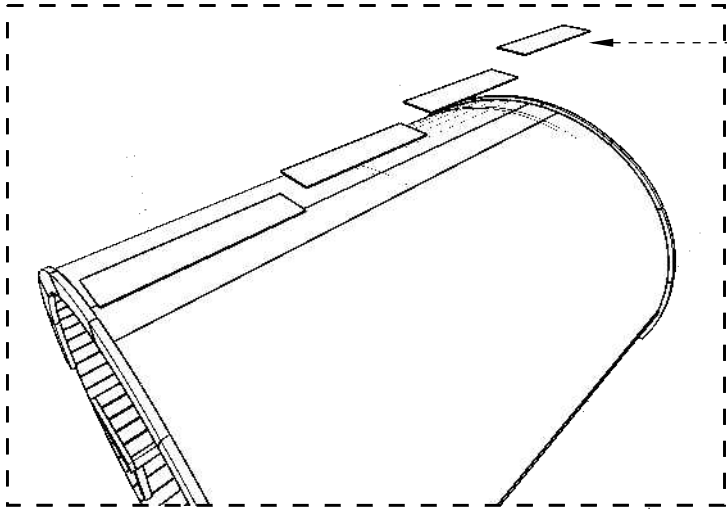
NB! Repeat on the other side of the door

14x 4,5x60

20

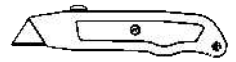
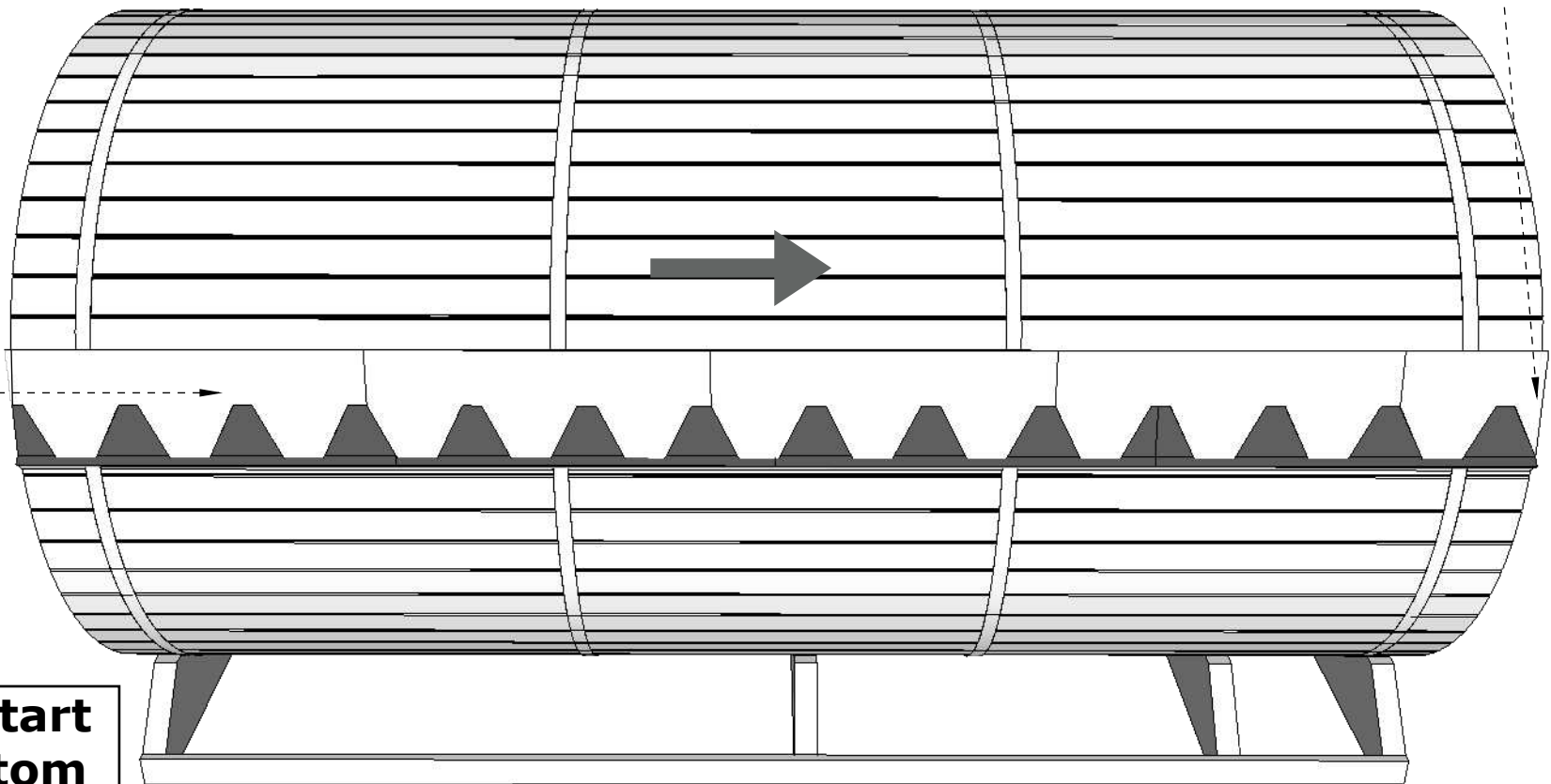
NB! Use small nails to install roof shingles. Also use the roof shingles manual for reference how to install the shingles properly



DET N

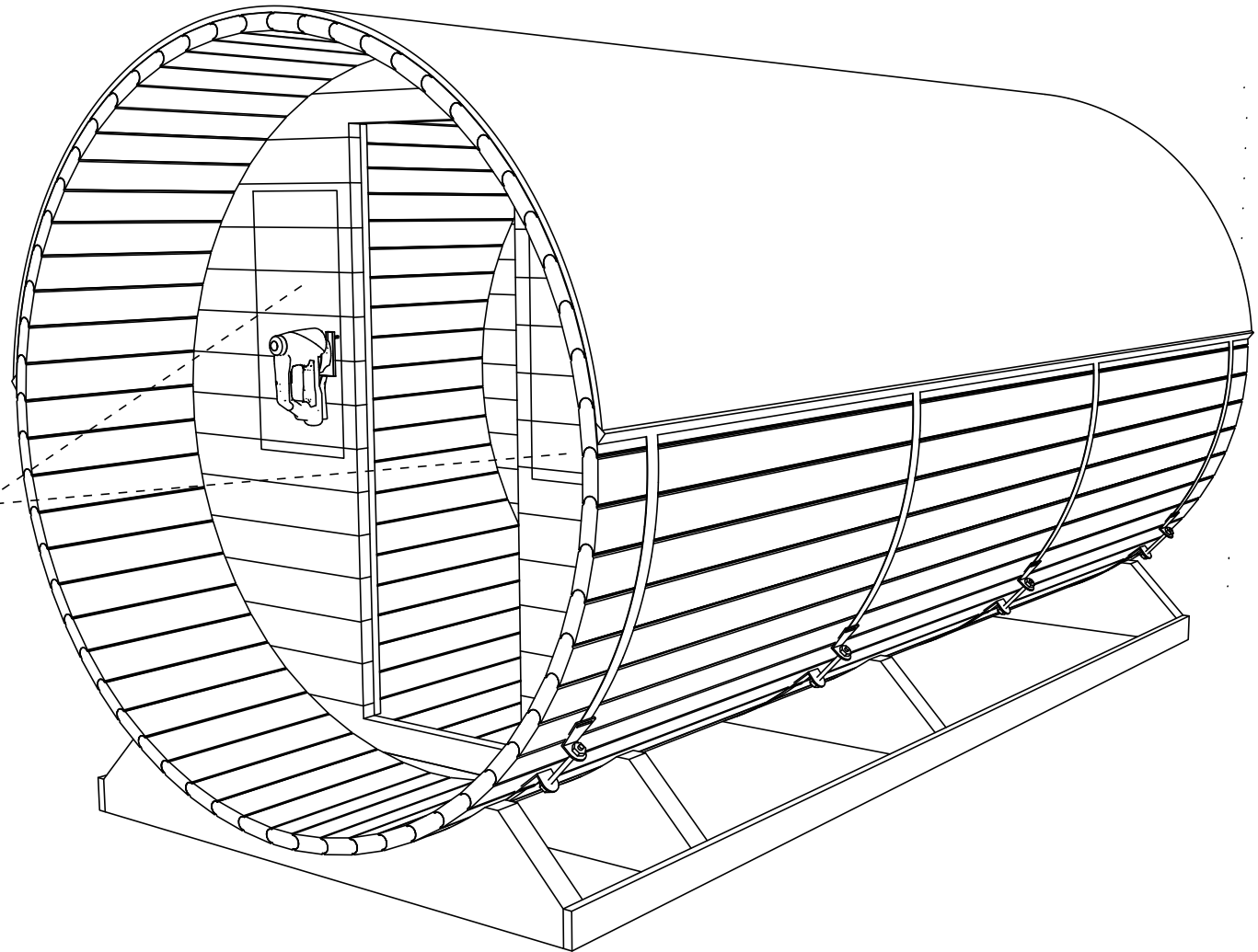
Finish the roof construction with DET N covering DET O on both sides of the roof

Cut the last piece and start the next row with it

**DET O**

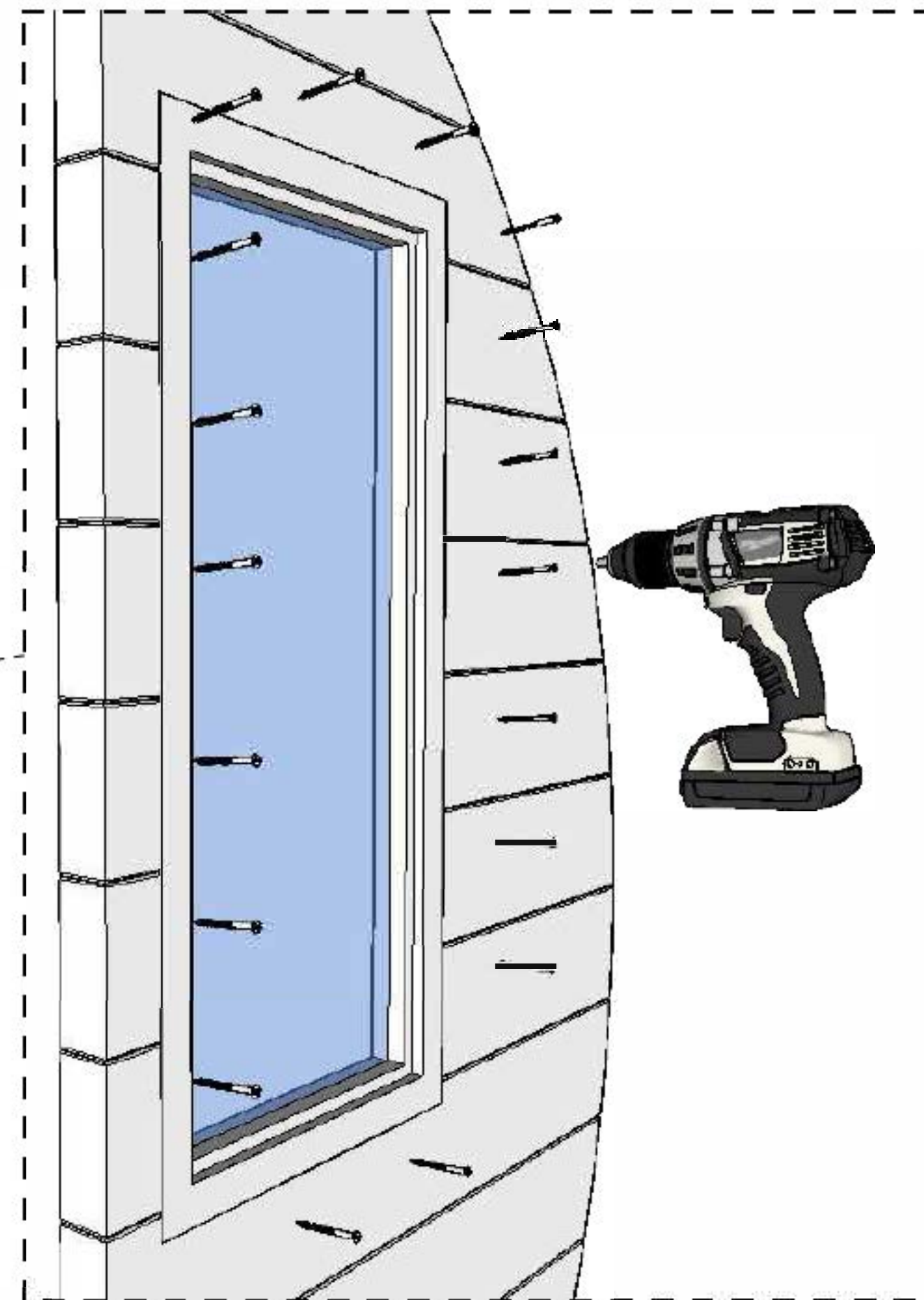
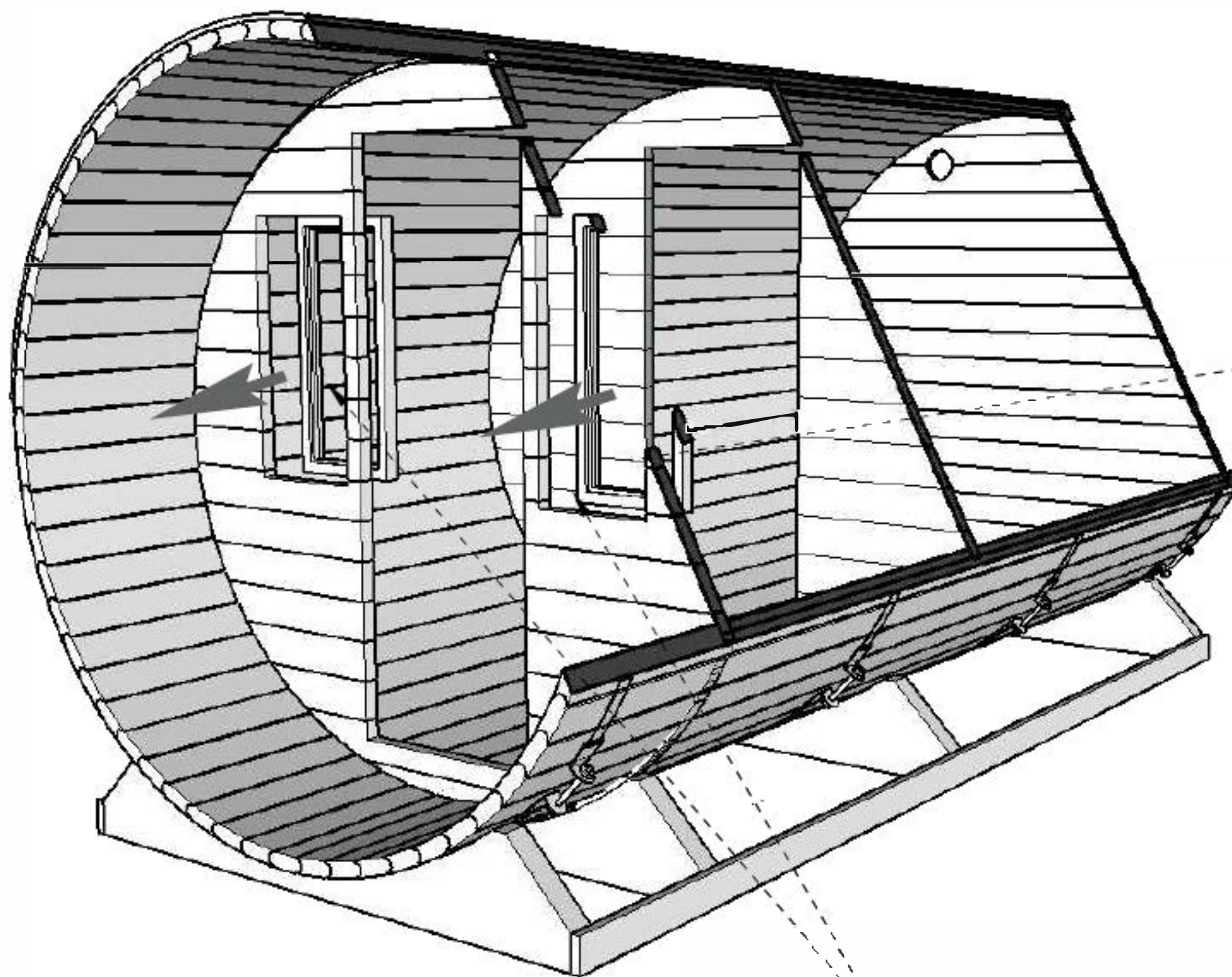
NB! Both sides start from the bottom

**Cut out windows
following the
guidelines using
a circular or jig saw**



36x 4,2 x 55

Use level to install windows



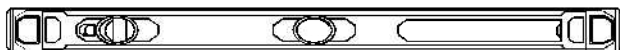
• DET 8

NB! Fix screw in every board

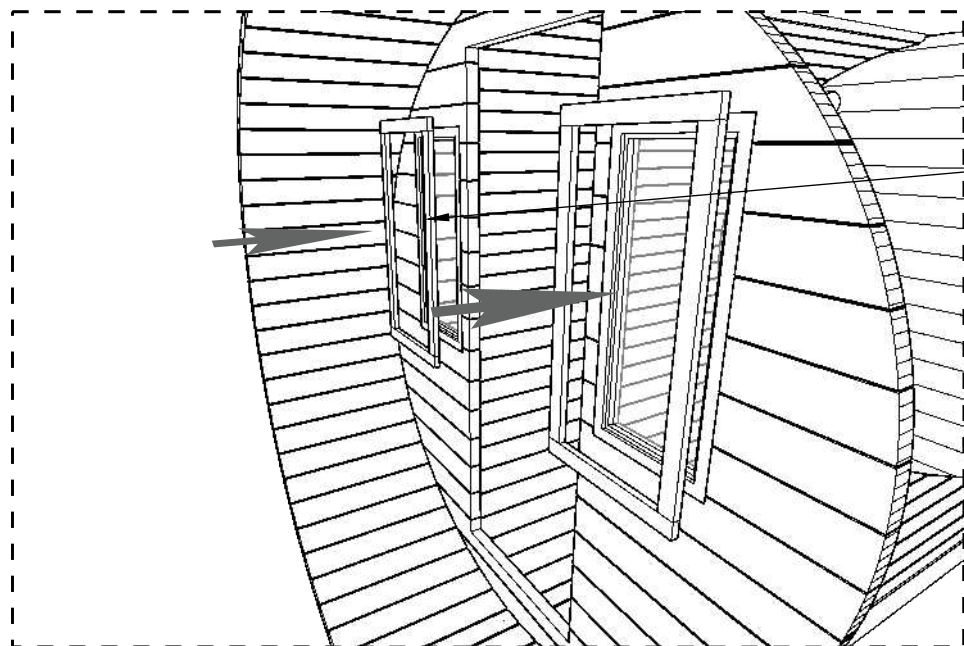
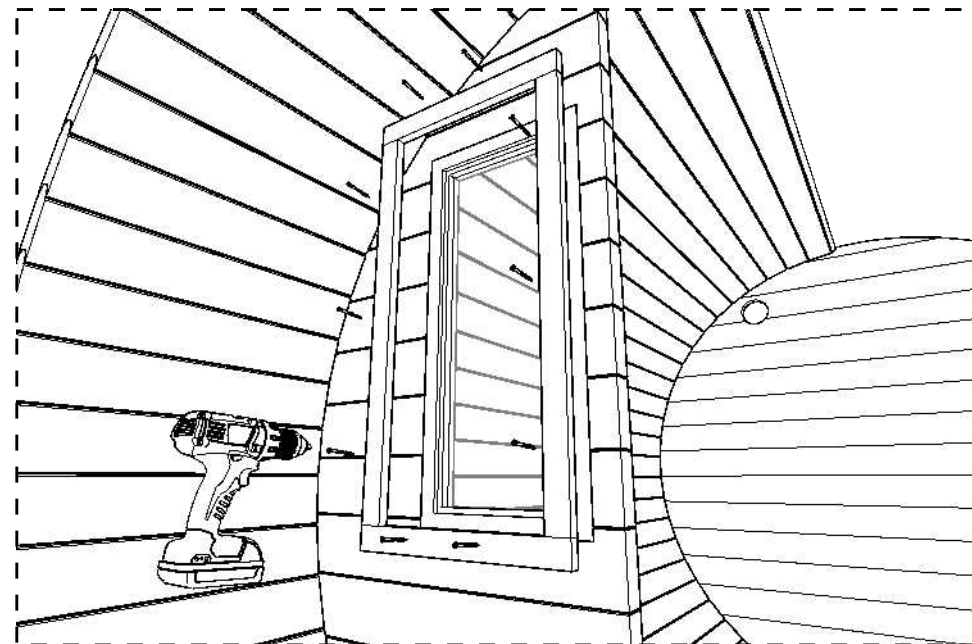
20x 3x40

12x 3x30

Use level to install windows



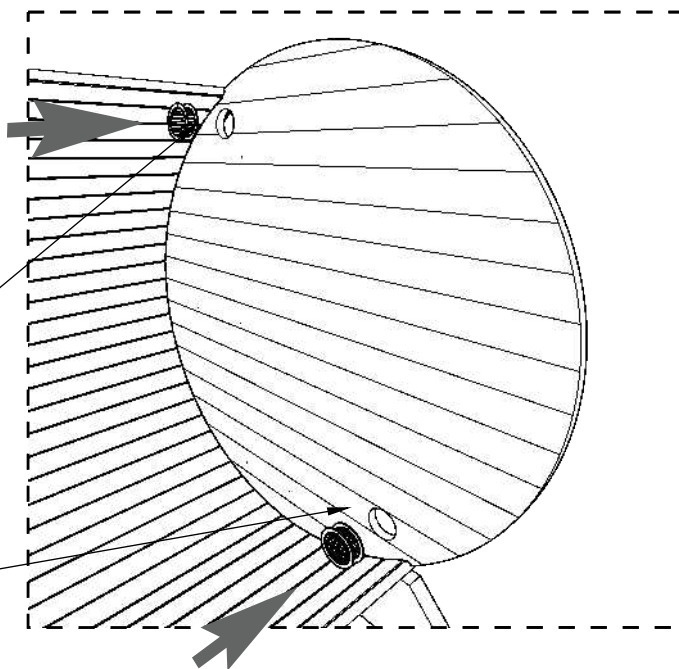
Install detail G from the inside



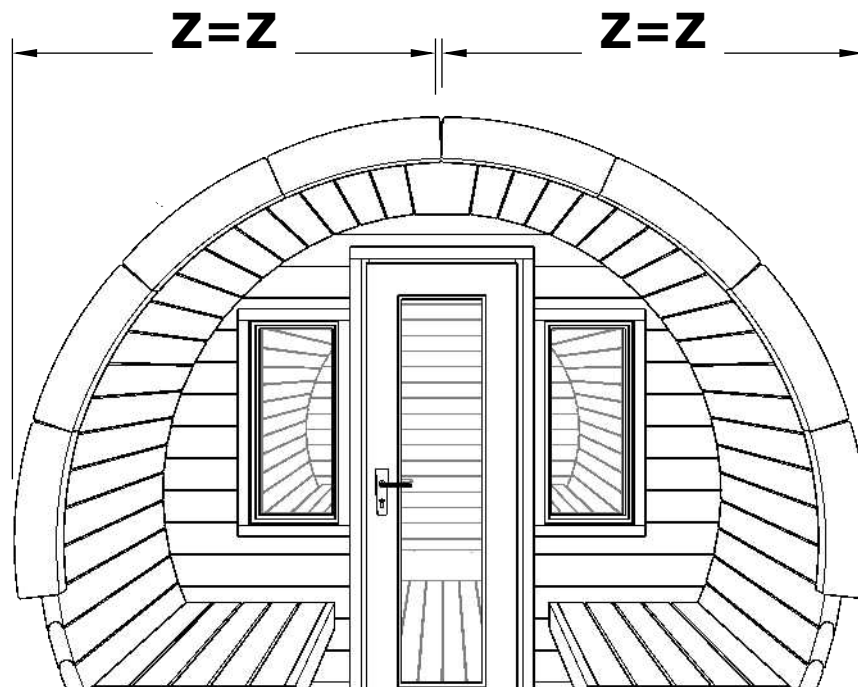
DET 8b

DET G
DET F

DET F
DET F

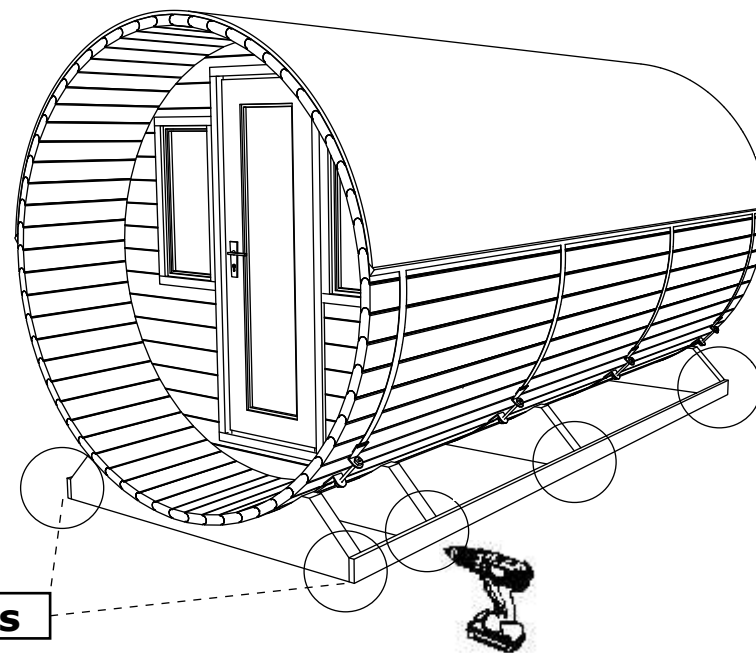
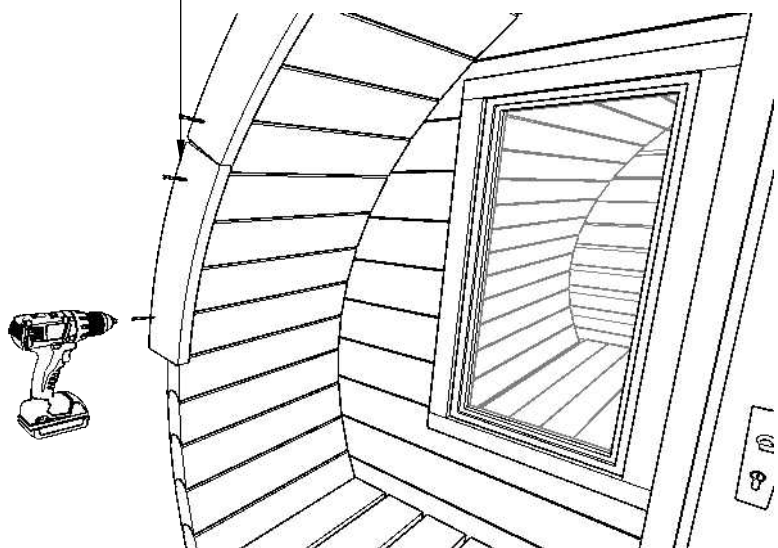


32x 4,2x75



**NB! Add cornice
on both sides**

DET 22



NB! Remove brackets

USER MANUAL OF THE SAUNA

1. It is recommended to install the sauna above ground level to prevent the legs of the sauna from coming into direct contact with the ground. Install a water-resistant material, such as bitumen strips, between the legs of the sauna and the base.
2. Make sure that the surface on which you install the sauna is levelled and stable both before and after installing the sauna. Otherwise, the doors of the sauna may not open and close properly.
3. If the top part of the chimney has not been installed upon delivery of the sauna, it should be placed into the chimney pipe from the roof of the sauna.
4. During the first heating of the sauna, it must be constantly supervised and the doors should be kept open, as the stove emits a specific smell when first heated. Read more from the user manual of the sauna stove.
5. The maximum permitted temperature of the steam room is **+90 °C**. If heated to a higher temperature, the sauna may be overheated.
6. After each use of the sauna, it is recommended to keep the stove warm, the doors open, and the footrests up for a while to allow the sauna to dry from the inside. If necessary, the water on the floor should be directed to the drain with a floor scraper to avoid damage caused by excess humidity.
7. **When the weather is humid and if the wood has expanded, the metal hoops around the sauna should be loosened to avoid breaking the clamps and jamming the doors.** The hoops can be adjusted from the nut of clamp M12 located on the side of the sauna. To alleviate excess tension on the clamp and the hoop itself, loosen nut M12 (wrench no. 19) until the hoop can be shifted left and right. Then, re-tighten the nut until the hoop is under slight pressure and pressed fully against the wood so that it cannot be pulled away from the walls of the sauna. **When the weather is less humid and the wood has dried, the metal hoops around the sauna should be tightened from nut M12.** Tighten the nut so the hoop is under slight pressure. The hoop must be pressed fully against the wood so that it cannot be pulled away from the walls of the sauna. Saunasell OÜ is not liable for damage caused to the sauna due to a broken hoop clamp.
8. If the door is shifted out of place when the hoops are tightened, lift the exterior door off the hinges and regulate the hinges. If this is not a sufficient solution, remove the trims of the door and unscrew the screws of the doorframe beneath them. This will relieve the pressure on the door. If necessary, the opening of the door may be made wider, after which the screws should be re-tightened and the trims and door reinstalled.
9. The interior door should be regulated from the stopper and, if necessary, the hinges. If this is not a sufficient solution, remove the trims of the door and unscrew the screws of the doorframe beneath them. This will relieve the pressure on the door.
10. In order to avoid damage caused by the weight of snow, any snow should be removed from the roof of the sauna. Keep in mind that the roof covering should not be damaged during snow removal.
11. If your sauna has lighting, install a 3G 2,5 mm² outdoor power cable and connect it in accordance with the schematics on the plug socket coupler provided with the sauna. The power cable of the sauna must be connected to a residual-current circuit breaker! Consult an electrician if necessary.

Maintenance of the sauna

1. **The interior surfaces of the sauna, the window frames of the steam and washing room, and the frames of interior doors must be treated with a special substance before initial use to protect them from humidity and dirt and extend the useful life of the sauna.** Later, this should be done once or twice a year. TEKNOS Satu Saunasuoja or Tikkurila Supi Saunasuoja may be used for this.
2. **Before initial use of the sauna, the benches and footrests must be treated with a protective oil to extend their useful life.** Later, this should be done once or twice a year. TEKNOS Satu Laudesuoja or Tikkurila Supi Laudesuoja may be used for this.
3. **Before initial use of the sauna and once a year after that, the door, doorframe, threshold, and window frame of the anteroom as well as the floors of the washing room and anteroom should be treated with the lacquer Teknos Helo Aqua 40.**
4. **The exterior surfaces of the sauna are given the first protective coating during production. The second coating should be applied approximately two months after purchasing the sauna to extend its useful life and maintain its appearance.** Use Remmers Aidol HK-Lasur for this.
5. Saunasell OÜ is not liable for damage caused to the sauna due to insufficient maintenance or no maintenance at all.

WARRANTY

- The products have a 24-month warranty covering material and production defects, taking effect from the delivery of the sauna to the client.
- The warranty is valid if the user has reviewed the user manuals and abides by them.
- The warranty is void if the sauna has not been assembled by Saunasell OÜ.
- Please note! The warranty period differs for products on trailers and products intended for commercial use.
- The warranty does not cover defects characteristic of wood, such as discoloration, changes, issues, or cracks caused by alternating or excess humidity, etc.
- The warranty does not cover normal wear and tear of the product caused by its use and damage caused by incorrect installation or use is not compensated.
- The warranty does not cover damage caused by thunder or other weather phenomena.
- The warranty does not cover damage caused by incorrect installation by the client.
- The warranty expires when attempts are made to independently change or fix the product or if it is not used for its intended purpose.
- The warranty is void if the product is stored in an incorrect position or in the wrong conditions.
- The warranty is valid if the buyer informs the seller of the defect within a reasonable time (7 days).